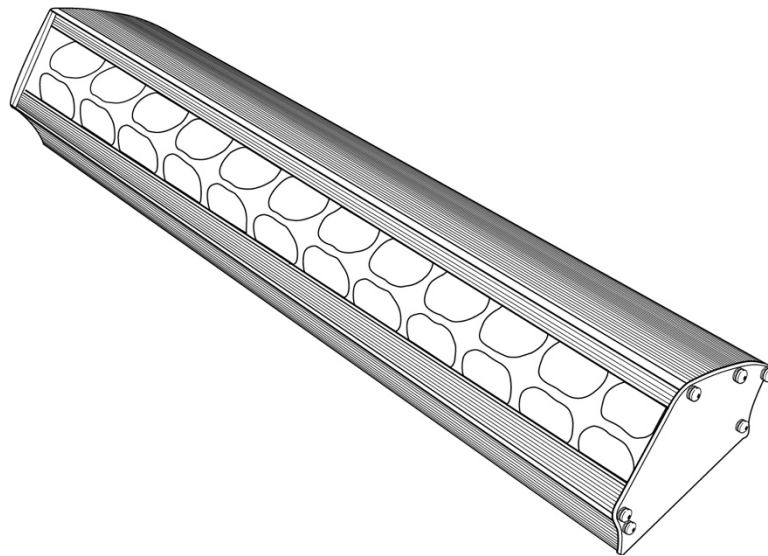


DALIS – 864S

FOOTLIGHT

Quick start guide

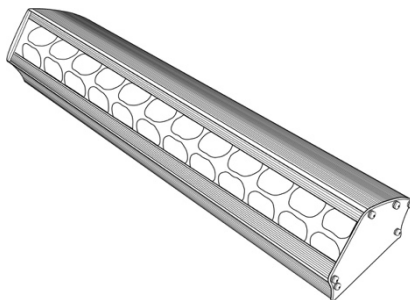


*PROJECTEUR BAIN DE PIED LED 75 W – 4 COULEURS
LED 75 W - 4 COLOUR MIXING FOOTLIGHT*

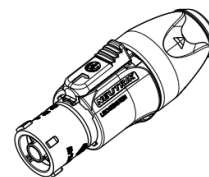


*For more information,
Please download the full manual online
http://www.robertjuliat.com/ambiance_lighting/dalis864.html*

Package contents:



1x Dalis 864S



1x Neutrik PowerCon© True1 connector
(ref. NAC3FX-W)

DALIS – 864S
Firmware V1.XX



ROBERT JULIAT

1 User's instructions

GENERAL INSTRUCTIONS

1. Not for residential use.
2. **These fixtures must only be serviced by a qualified technician.**
3. In addition to the instructions indicated on this page, relevant health and safety requirements of the appropriate EU Directives must be adhered to at all times.
4. This fixture is in compliance with section 17 - Lighting appliance for theatre stages, television, cinema and photograph studios. Standards NF EN 60598-1 and NF EN 60598-2-17.
5. This fixture is rated as IP20, and is for indoor use only.

FIXTURE

6. Ensure fixture is correctly mounted on an appropriate support.
7. Protection screens must be replaced in the event of any damage, such as cracks or deep scratches, since these might reduce performance.
8. When hung or flown the fixture must be secured by an additional hanging accessory (such as a safety cable or bond) of suitable length
9. Safety bonds or cables must be securely attached to the fixture and be as short as possible, or rolled up as

necessary, to minimise travel distance should the fixture be dislodged.

10. **WARNING:** LED source become hot during use. Allow fixture to cool before servicing.
11. Do not tamper with design of fixture nor any of its safety features.
12. Tighten electrical mains cable connections regularly and replace with one of identical specification if damaged.
13. Use only with correct power supply.
14. Do not orientate the fixture towards a source of light (sun, fixture), in particular for LED versions.

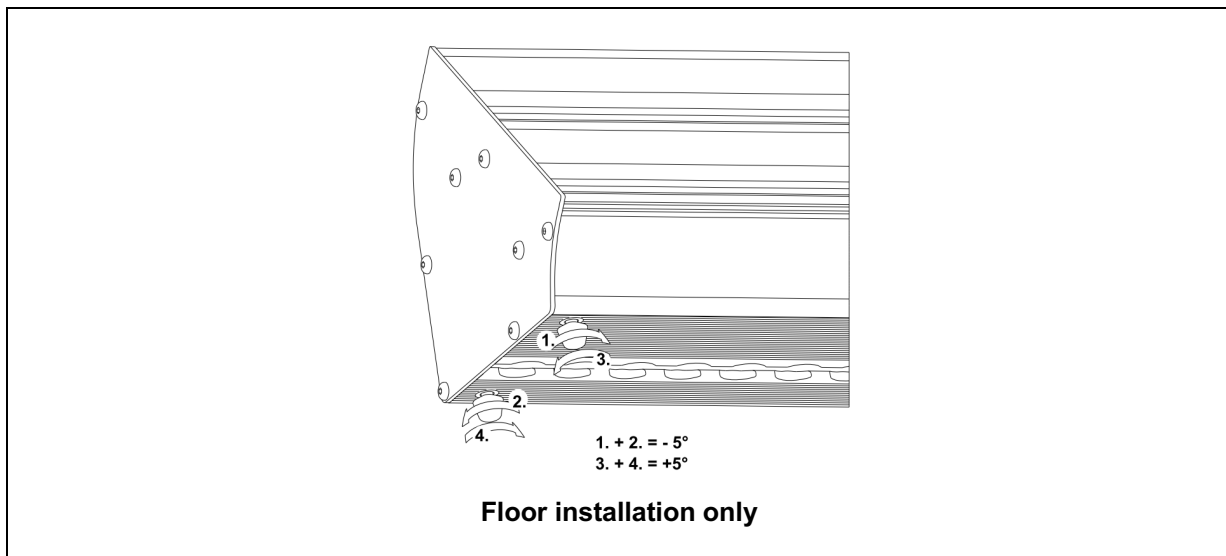
VENTILATION

15. Keep well away from flammable material.
16. Not for outdoor use. Do not cover. Do not permit fixture to get wet.
17. To avoid overheating, do not obstruct air vents– **do not cover the unit.**

PLEASE NOTE

These products have been built to conform to European standards relating to professional lighting equipment. Any modification made to our products will void the manufacturers' warranty.

2 Installation



5 DMX chart

DMX address	Mode 1: Full2groupsmode16b	Mode 2: Full1groupmode16b	Mode 3: Full1groupmode8b	Mode 4: 4groupsindividual16bits
1	Dimmer	Dimmer - Up Stage	Dimmer - Up Stage	Dimmer - Up Stage 1
2	Dimmer fine	Dimmer fine - Up Stage	Red - Up Stage	Dimmer fine - Up Stage 1
3	Red - Up Stage 1	Red - Up Stage	Green - Up Stage	Red - Up Stage 1
4	Red fine - Up Stage 1	Red fine - Up Stage	Royal blue - Up Stage	Red fine - Up Stage 1
5	Green - Up Stage 1	Green - Up Stage	Warm white - Up Stage	Green - Up Stage 1
6	Green fine - Up Stage 1	Green fine - Up Stage	Dimmer - Down Stage	Green fine - Up Stage 1
7	Royal blue - Up Stage 1	Royal blue - Up Stage	Red - Down Stage	Royal blue - Up Stage 1
8	Royal blue fine - Up Stage 1	Royal blue fine - Up Stage	Green - Down Stage	Royal blue fine - Up Stage 1
9	Warm white - Up Stage 1	Warm white - Up Stage	Royal blue - Down Stage	Warm white - Up Stage 1
10	Warm white fine - Up Stage 1	Warm white fine - Up Stage	Warm white - Down Stage	Warm white fine - Up Stage 1
11	Red - Up Stage 2	Dimmer - Down Stage	Strobe duration	Dimmer - Up Stage 2
12	Red fine - Up Stage 2	Dimmer fine - Down Stage	Strobe speed	Dimmer fine - Up Stage 2
13	Green - Up Stage 2	Red - Down Stage	Response time	Red - Up Stage 2
14	Green fine - Up Stage 2	Red fine - Down Stage	Control mode	Red fine - Up Stage 2
15	Royal blue - Up Stage 2	Green - Down Stage	Blue position	Green - Up Stage 2
16	Royal blue fine - Up Stage 2	Green fine - Down Stage	Red position	Green fine - Up Stage 2
17	Warm white - Up Stage 2	Royal blue - Down Stage	Position Intensity	Royal blue - Up Stage 2
18	Warm white fine - Up Stage 2	Royal blue fine - Down Stage		Royal blue fine - Up Stage 2
19	Red - Down Stage 1	Warm white - Down Stage		Warm white - Up Stage 2
20	Red fine - Down Stage 1	Warm white fine - Down Stage		Warm white fine - Up Stage 2
21	Green - Down Stage 1	Strobe duration		Dimmer - Down Stage 1
22	Green fine - Down Stage 1	Strobe speed		Dimmer fine - Down Stage 1
23	Royal blue - Down Stage 1	Response time		Red - Down Stage 1
24	Royal blue fine - Down Stage 1	Control mode		Red fine - Down Stage 1
25	Warm white - Down Stage 1	Blue position		Green - Down Stage 1
26	Warm white fine - Down Stage 1	Red position		Green fine - Down Stage 1
27	Red - Down Stage 2	Position Intensity		Royal blue - Down Stage 1
28	Red fine - Down Stage 2			Royal blue fine - Down Stage 1
29	Green - Down Stage 2			Warm white - Down Stage 1
30	Green fine - Down Stage 2			Warm white fine - Down Stage 1
31	Royal blue - Down Stage 2			Blue position intensity - 1
32	Royal blue fine - Down Stage 2			Red position intensity - 1
33	Warm white - Down Stage 2			Dimmer - Down Stage 2
34	Warm white fine - Down Stage 2			Dimmer fine - Down Stage 2
35	Strobe duration			Red - Down Stage 2
36	Strobe speed			Red fine - Down Stage 2
37	Response time			Green - Down Stage 2
38	Control mode			Green fine - Down Stage 2
39	Blue position			Royal blue - Down Stage 2
40	Red position			Royal blue fine - Down Stage 2
41	Position Intensity			Warm white - Down Stage 2
42				Warm white fine - Down Stage 2
43				Blue position intensity - 2
44				Red position intensity - 2

