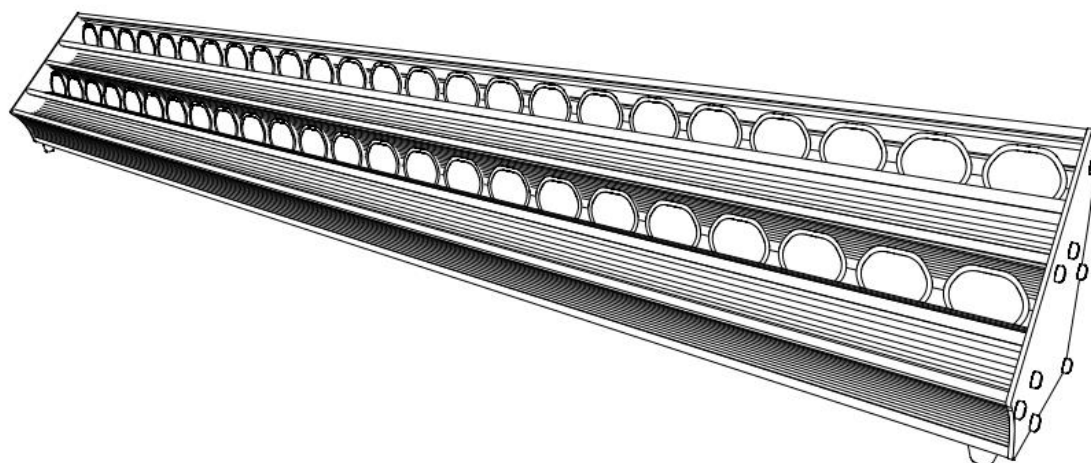


DALIS - 860

CYCLUODE

Quick start guide

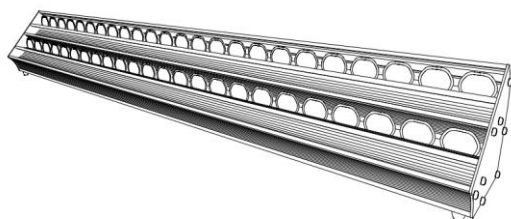


CYCLUODE 300W LED 8 COULEURS
8 COLOURS LED 300W CYCLIGHT

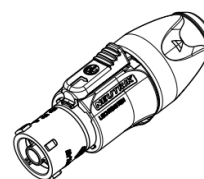


*For more information,
 Please download the full manual online
http://www.robertjuliat.com/ambiance_lighting/dalis.html*

Package contents:



1x Dalis 860



1x Neutrik PowerCon© True1 connector
 (ref. NAC3FX-W)

DALIS - 860
 Version V1 – 01/10/15

DN41086000



ROBERT JULIAT

1 User's instructions

GENERAL INSTRUCTIONS

1. Not for residential use.
2. **These fixtures must only be serviced by a qualified technician.**
3. In addition to the instructions indicated on this page, relevant health and safety requirements of the appropriate EU Directives must be adhered to at all times.
4. This fixture is in compliance with section 17 - Lighting appliance for theatre stages, television, cinema and photograph studios. Standards NF EN 60598-1 and NF EN 60598-2-17.
5. This fixture is rated as IP20, and is for indoor use only.

FIXTURE

6. Ensure fixture is correctly mounted on an appropriate support.
7. Protection screens must be replaced in the event of any damage, such as cracks or deep scratches, since these might reduce performance.
8. When hung or flown the fixture must be secured by an additional hanging accessory (such as a safety cable or bond) of

suitable length – only use Robert Juliat safety cables ref. QR-CS1

9. Safety bonds or cables must be securely attached to the QuickRig system of the fixture and be as short as possible, or rolled up as necessary, to minimise travel distance should the fixture be dislodged. .
10. **WARNING:** LED source become hot during use. Allow fixture to cool before servicing.
11. Do not tamper with design of fixture nor any of its safety features.
12. Tighten electrical mains cable connections regularly and replace with one of identical specification if damaged.
13. Use only with correct power supply.
14. Do not orientate the fixture towards a source of light (sun, fixture), in particular for LED versions.

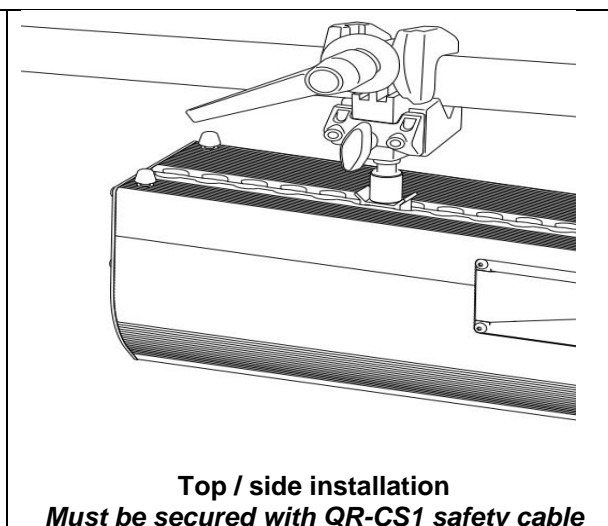
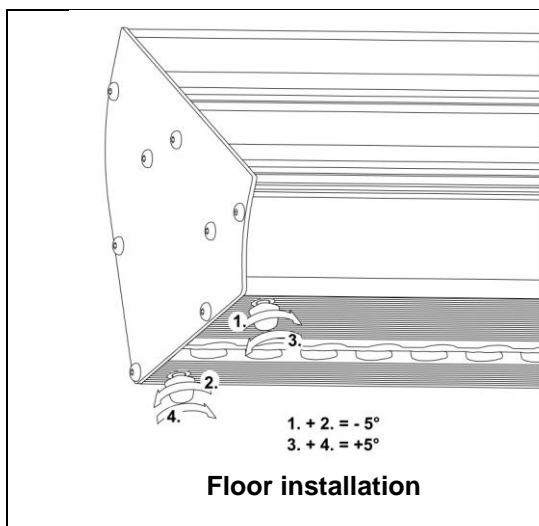
VENTILATION

15. Keep well away from flammable material.
16. Not for outdoor use. Do not cover. Do not permit fixture to get wet.
17. To avoid overheating, do not obstruct air vents.

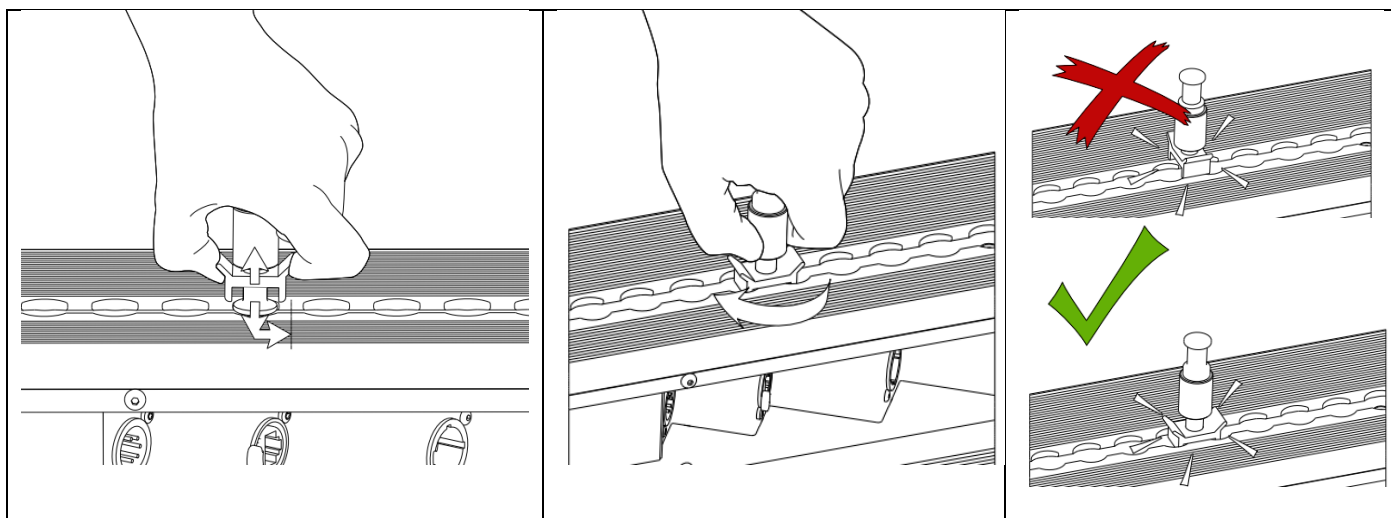
PLEASE NOTE

These products have been built to conform to European standards relating to professional lighting equipment. Any modification made to our products will void the manufacturers' warranty.

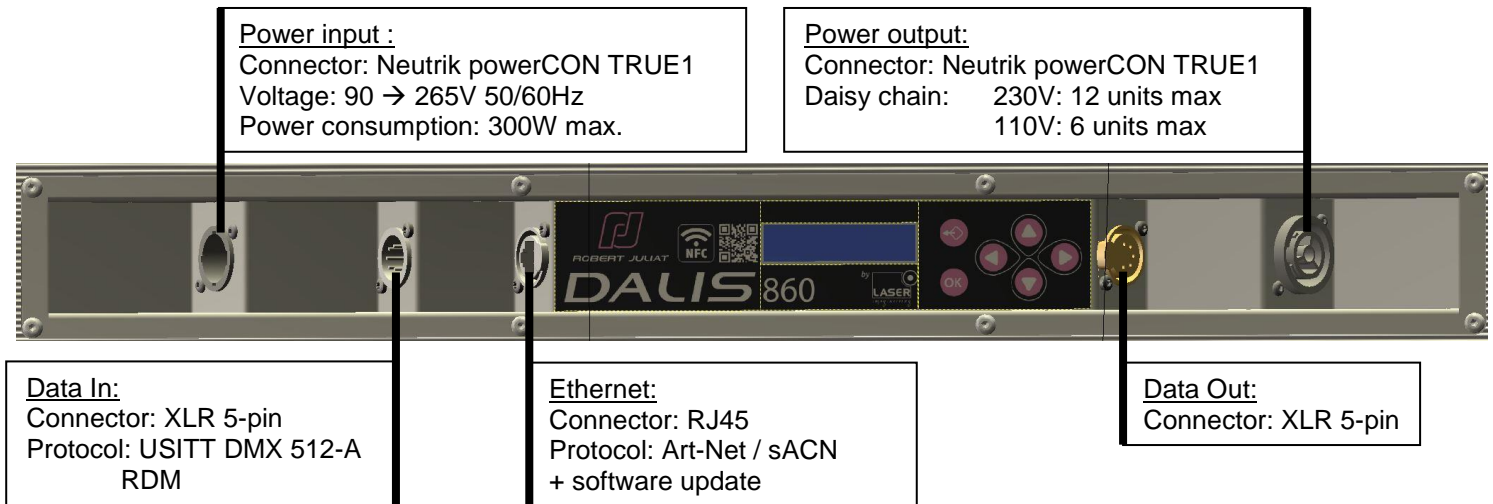
2 Installation



3 QuickRig system



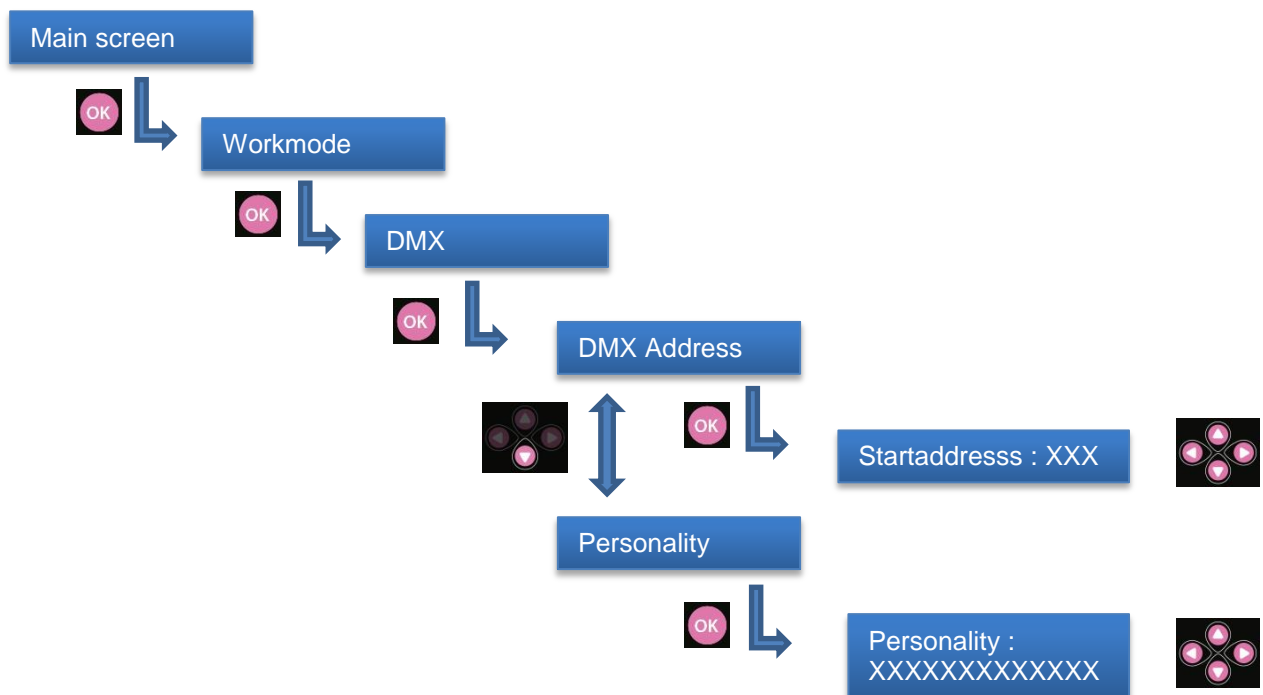
4 Electrical / Data connection



5 DMX control



DMX address and control mode selection:



6 DMX chart

DMX address	Mode 1 Full4groupmode16b	Mode 2 Full1groupmode16b	Mode 3 Full1groupmode8b	Mode 4 Presetmode16b	Mode 5 Presetmode8b
1	Red 1	Red	Red	Dimmer	Dimmer
2	Red fine 1	Red fine	Green	Dimmer fine	Colour presets
3	Green 1	Green	Blue	Colour presets	CCT
4	Green fine 1	Green fine	Royal blue	CCT	Strobe duration
5	Blue 1	Blue	Cyan	Strobe duration	Strobe speed
6	Blue fine 1	Blue fine	Amber	Strobe speed	Response time
7	Royal blue 1	Royal blue	Cool white	Response time	Gamma correction
8	Royal blue fine 1	Royal blue fine	Warm white	RDM OFF (>0)	RDM OFF (>0)
9	Cyan 1	Cyan	Strobe duration		
10	Cyan fine 1	Cyan fine	Strobe speed		
11	Amber 1	Amber	Response time		
12	Amber fine 1	Amber fine	Gamma correction		
13	Cool white 1	Cool white	RDM OFF (>0)		
14	Cool white fine 1	Cool white fine			
15	Warm white 1	Warm white			
16	Warm white fine 1	Warm white fine			
17	Red 2	Strobe duration			
18	Red fine 2	Strobe speed			
19	Green 2	Response time			
20	Green fine 2	RDM OFF (>0)			
...					
...					
...					
49	Red 4				
50	Red fine 4				
51	Green 4				
52	Green fine 4				
53	Blue 4				
54	Blue fine 4				
55	Royal blue 4				
56	Royal blue fine 4				
57	Cyan 4				
58	Cyan fine 4				
59	Amber 4				
60	Amber fine 4				
61	Cool white 4				
62	Cool white fine 4				
63	Warm white 4				
64	Warm white fine 4				
65	Strobe duration				
66	Strobe speed				
67	Response time				
68	RDM OFF (>0)				