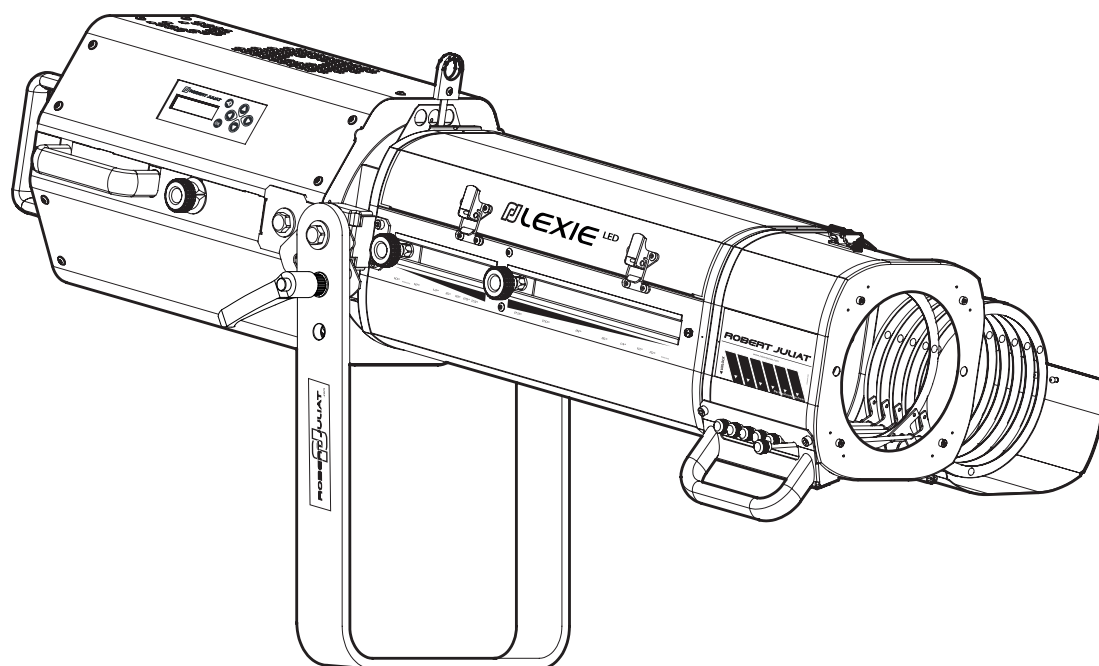


# LEXIE 1176

Manual

420W LED FOLLOWSPOT



Source	Angles	Standard / CE	North American
Cool White (CW)	10,5 - 22,5°	1176	1176C

Product  
Updates:




V1

- FIRMWARE: **V5.0x**  
- RJ-LED2 FIRMWARE PLATFORM (Node Mode) full manual is  
available for download at [www.robertjuliat.com/LED/PDF\\_PAGE](http://www.robertjuliat.com/LED/PDF_PAGE)

**DN41273400-B (EN)**

Released: 30/03/26



**ROBERT JULIAT**

# Table of Contents

<b>1</b>	<b>User's instructions</b>	<b>1</b>	<b>5</b>	<b>Controls and parameters</b>	<b>18</b>
<b>2</b>	<b>Presentation</b>	<b>2</b>	<b>5.1</b>	<b>Local display and controls</b>	<b>18</b>
2.1	Functions	2	5.1.1	Display	18
2.2	Identification label	3	5.1.2	Home screen	18
2.3	Accessories included	3	5.1.3	Menus	19
2.4	Accessories	4	5.1.4	Parameters	20
<b>3</b>	<b>Set-up</b>	<b>5</b>	<b>5.2</b>	<b>DMX512 - A remote control</b>	<b>21</b>
3.1	Mechanics	5	5.2.1	Protocol	21
3.1.1	Operating positions	5	5.2.2	Configuration	21
3.1.2	Minimum distance between a flammable material	5	5.2.3	Parameters	22
3.1.3	Instructions for use	5	5.2.3.1	DMX Hold	22
3.1.4	Lifting	5	5.2.3.2	Fixture ID	22
3.1.5	Safety cable	5	5.2.3.3	Terminator	23
3.1.6	Stand set-up	6	5.2.3.4	Node	23
3.2	Electrical information	6	5.2.4	DMX chart	23
3.2.1	LED source	6	5.2.5	DMX ranges	23
3.2.2	Power supply	6	5.2.5.1	Strobe duration	23
3.3	DATA	7	5.2.5.2	Strobe speed	23
3.3.1	DMX 512-A / RDM	7	5.2.5.3	Response time	23
3.3.2	Art-Net / sACN / DUAL	8	5.2.5.4	Control mode	24
3.3.3	Ethernet / DMX node / DUAL	8	5.2.6	RDM remote control	25
3.4	Accessories	9	5.2.6.1	Protocol	25
3.4.1	Iris	9	5.2.6.2	Functions	25
3.4.2	Gobo holder	9	<b>5.3</b>	<b>Home values &amp; Standalone</b>	<b>27</b>
3.4.3	Colour changer unit: push-pull	9	<b>5.4</b>	<b>Network</b>	<b>27</b>
3.4.4	Double slot front cassette for accessories	10	5.4.1	Art-Net remote control	29
3.4.5	Telrad followspot sight	10	5.4.1.1	Protocol	29
<b>4</b>	<b>Operations</b>	<b>11</b>	5.4.1.2	Configuration	29
4.1	Light intensity	11	5.4.1.3	Local set-up	30
4.1.1	Range	11	5.4.2	sACN remote control	31
4.1.2	Control	11	5.4.2.1	Protocol	31
4.1.3	Parameters	12	5.4.2.2	Configuration	31
4.1.3.1	Dimming resolution - DMX only	12	5.4.2.3	Local set-up	32
4.1.3.2	Dimming curve	12	5.4.3	Dual remote control	33
4.1.3.3	Set maximum position	12	5.4.3.1	Protocol	33
4.1.3.4	Dimming mode	12	5.4.3.2	Configuration	33
4.2	Strobe	13	5.4.3.3	Local set-up	34
4.2.1	Range	13	5.4.4	Web interface	35
4.2.2	Control	13	5.4.4.1	Control	35
4.3	Response time	13	5.4.4.2	Connection to the Web interface	35
4.3.1	Range	13	5.4.5	LLRP (Low-Level Reader Protocol)	36
4.3.2	Control	13	<b>5.5</b>	<b>Fan cooling modes</b>	<b>37</b>
4.4	Beam size adjustment	14	5.5.1	Range	37
4.4.1	Range	14	5.5.2	Control	37
4.4.2	Control	14	<b>6</b>	<b>Service</b>	<b>38</b>
4.5	Pan / Tilt	15	6.1	Preventive maintenance	38
4.5.1	Range	15	6.1.1	Frequency	38
4.5.2	Control	15	6.1.2	General cleaning	38
4.6	Iris	16	6.1.3	General visual check	38
4.6.1	Range	16	6.1.4	LED source	38
4.6.2	Control	16	6.1.5	Optics	38
4.7	Gobo	16	6.2	Analysis	40
4.7.1	Range	16	6.3	Electronic thermal management system	40
4.8	Colour	17	6.4	Firmware update	40
4.8.1	Range	17	6.5	Factory defaults	41
			6.6	Selftest	41

# 1 User's instructions

## GENERAL INSTRUCTIONS

1. Not for residential use.
2. These fixtures must only be serviced by a qualified technician.
3. In addition to the instructions indicated on this page, relevant health and safety requirements of the appropriate EU Directives must be adhered to at all times.
4. This fixture is in compliance with section 17 - Lighting appliance for theatre stages, television, cinema and photograph studios.  
Standards NF EN 60598-1, NF EN 60598-2-17, Low Voltage Directive 2014/35/UE & EMC Directive 2014/30/UE.
5. This fixture is rated as IP20, and is for indoor use only.

## FIXTURE

6. Ensure fixture is correctly mounted on an appropriate support.
7. Protection screens and lenses must be replaced in the event of any damage, such as cracks or deep scratches, since these might reduce performance.
8. When hung or flown the fixture must be secured by an additional hanging accessory (such as a safety cable or bond) of suitable length.
9. Safety bonds or cables must be securely attached to the back of the fixture and be as short as possible, or rolled up as necessary, to minimise travel distance should the fixture be dislodged.
10. Movable accessories (scroller, etc.) must also be secured with a suitable safety cable or bond at the front of the fixture.
11. The combined weight of both the fixture and the accessories must be considered when choosing the load-bearing capability of safety cable or bond.
12. Do not open lighting fixture when the source is on.
13. WARNING: LED sources become hot during use. Allow fixture to cool before servicing.
14. Do not tamper with design of fixture nor any of its safety features.
15. Tighten electrical mains cable connections regularly and replace with one of identical specification if damaged.
16. Use only with correct power supply.

## VENTILATION

17. Keep well away from flammable material.
18. Not for outdoor use. Do not cover. Do not permit fixture to get wet.
19. To avoid overheating, do not obstruct air vents.
20. Ensure any cooling fans are in correct working order. If fans are not working, turn fixture off immediately and service as necessary.

## CLEANING

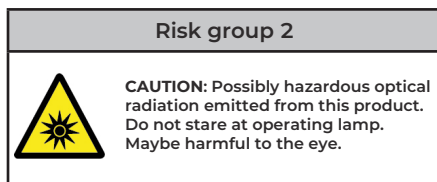
21. Do not touch the LED source with your fingers.
22. To clean the optical parts, use a soft cloth in combination with distilled water or isopropyl alcohol recommended for coated optics. Do not use any cleaning product that contains solvents or abrasives, as these can cause surface damage.  
Dry with a soft lint-free cloth.
23. Regularly remove dust with a soft lint-free cloth.
24. If the fixture has filters, they must be cleaned frequently.

## POWER SUPPLY

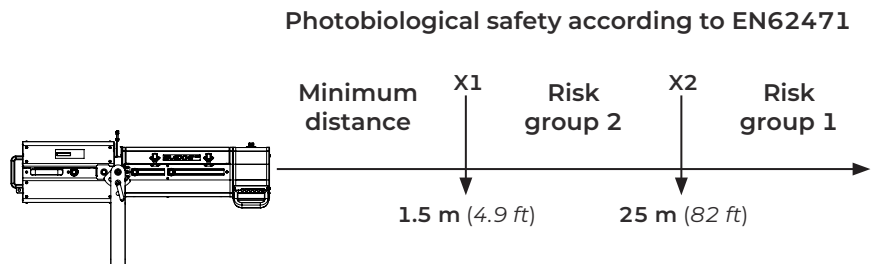
25. Disconnect from the mains before servicing.
26. Mains connection only. Do not connect to "electronic output" such as dimmer.
27. Ensure power supply circuit breakers, always remain accessible.

## PLEASE NOTE

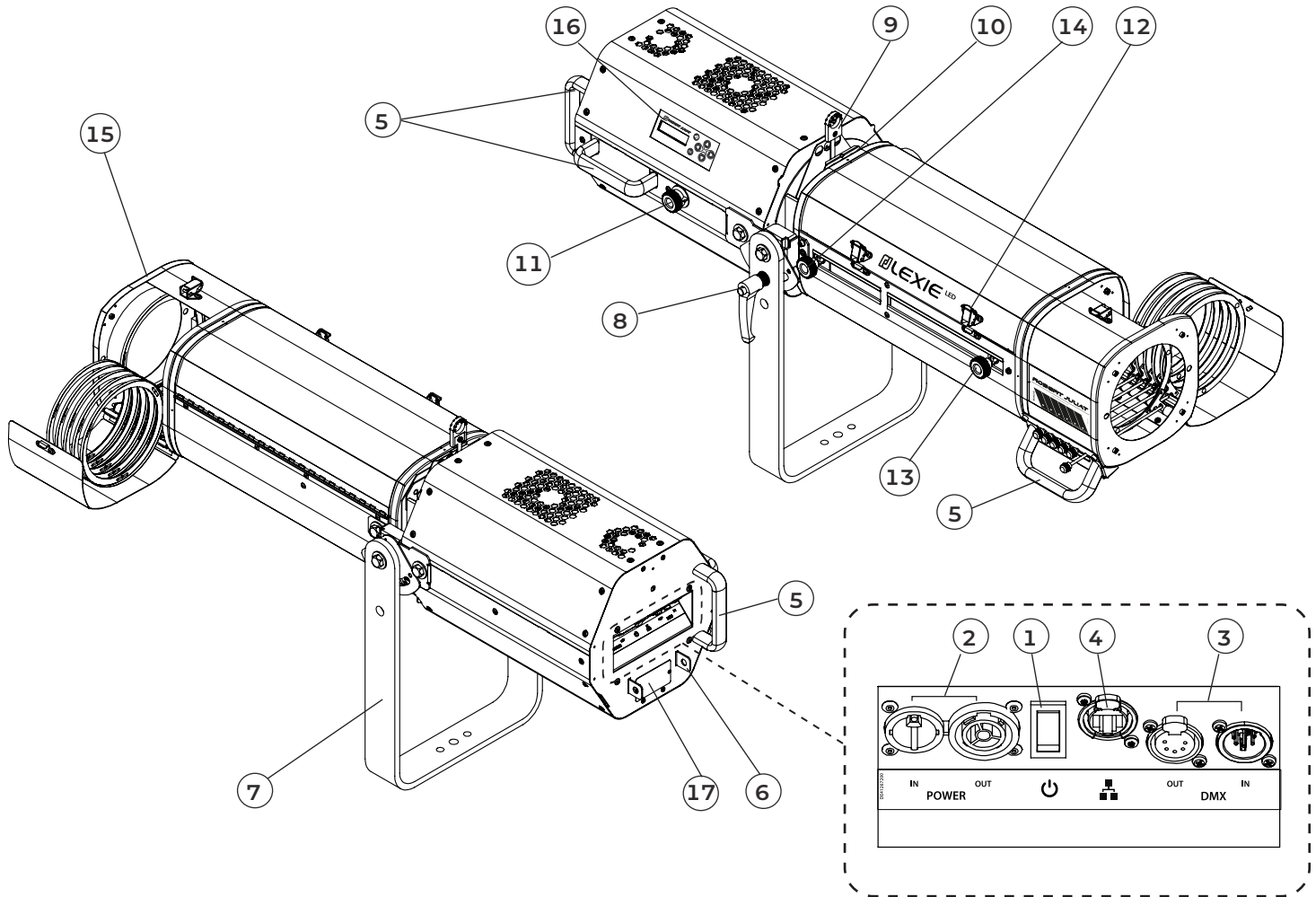
This product has been built to conform to European standards relating to professional lighting equipment. Any modification made to our products will void the manufacturers' warranty.



Risk group 2. Luminaires should be positioned so that prolonged staring into luminaire at a distance closer than 25 m is not expected.

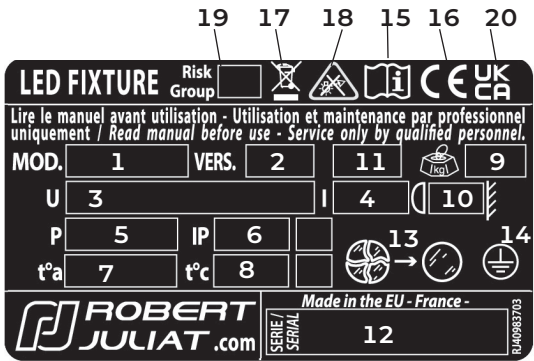


2.1 Functions

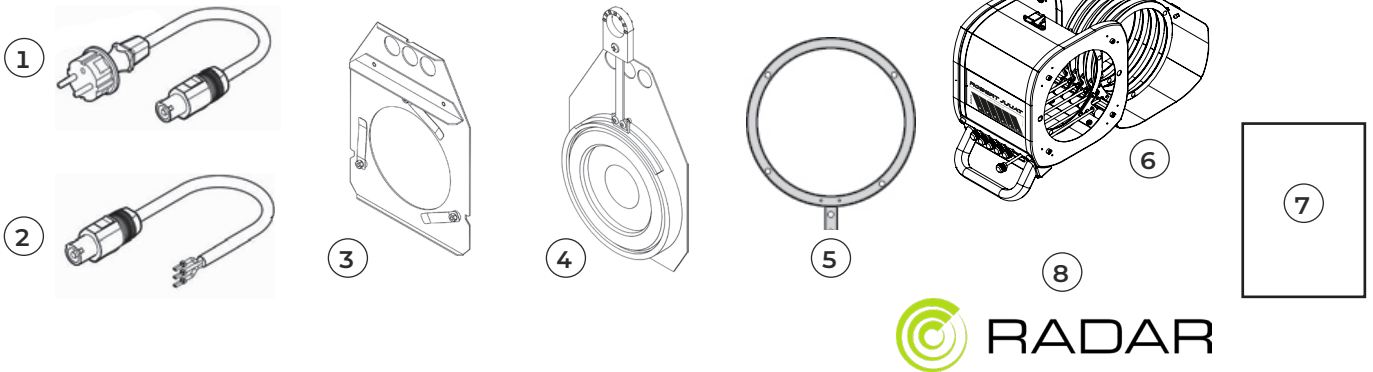


Description	
1. ON/OFF switch	11. Dimming control
2. Power connector (IN and OUT)	12. Lens tube access
3. Data connector (IN and OUT)	13. Focus adjustment
4. RJ45 network connector	14. Zoom adjustment
5. Handles	15. Colour changer
6. Safety cable attachment point	16. Local display and controls
7. Yoke	17. Identification plate
8. Tilt locking handle	
9. Iris control	
10. Gobo holder	

## 2.2 Identification label

Description	
 <p><b>LED FIXTURE</b> Risk Group      </p> <p>Lire le manuel avant utilisation - Utilisation et maintenance par professionnel uniquement / Read manual before use - Service only by qualified personnel.</p> <p>MOD. <b>1</b> VERS. <b>2</b> <b>11</b> <b>9</b></p> <p>U <b>3</b> I <b>4</b> <b>10</b></p> <p>P <b>5</b> IP <b>6</b></p> <p>t<sup>a</sup> <b>7</b> t<sup>c</sup> <b>8</b> <b>13</b> <b>14</b></p> <p><b>ROBERT JULIAT.com</b> Made in the EU - France - <b>12</b> <small>RU40983703</small></p> <p><b>Units:</b></p> <ul style="list-style-type: none"> <li>- Weight = kilogram (kg).</li> <li>- Intensity = Ampere (A).</li> <li>- Voltage = Volt (V).</li> <li>- Frequency = Hertz (Hz).</li> <li>- Temperature = degree Celsius (°C).</li> </ul>	<ol style="list-style-type: none"> <li>1. MOD. : Model</li> <li>2. VERS. : Version</li> <li>3. U : Nominal voltage input (V)</li> <li>4. I : Nominal intensity (A)</li> <li>5. P : Maximum power input (W)</li> <li>6. IP : International Protection Rating</li> <li>7. t<sup>a</sup> : Maximum ambient temperature (°C)</li> <li>8. t<sup>c</sup> : Maximum external temperature of the unit (°C)</li> <li>9. Net weight (kg)</li> <li>10. Minimum distance between a flammable material and the lighting unit (m)</li> <li>11. Colour temperature version: CW = Cool White</li> <li>12. Serial number</li> <li>13. Replace broken glass</li> <li>14. Class 1 product label</li> <li>15. Read manual first label</li> <li>16. European conformity label</li> <li>17. WEEE directive label</li> <li>18. CEI-TR-62778 - Do not stare at light source</li> <li>19. EN62471 - Risk group</li> <li>20. UKCA (UK Conformity Assessed) label</li> </ol>

## 2.3 Accessories included

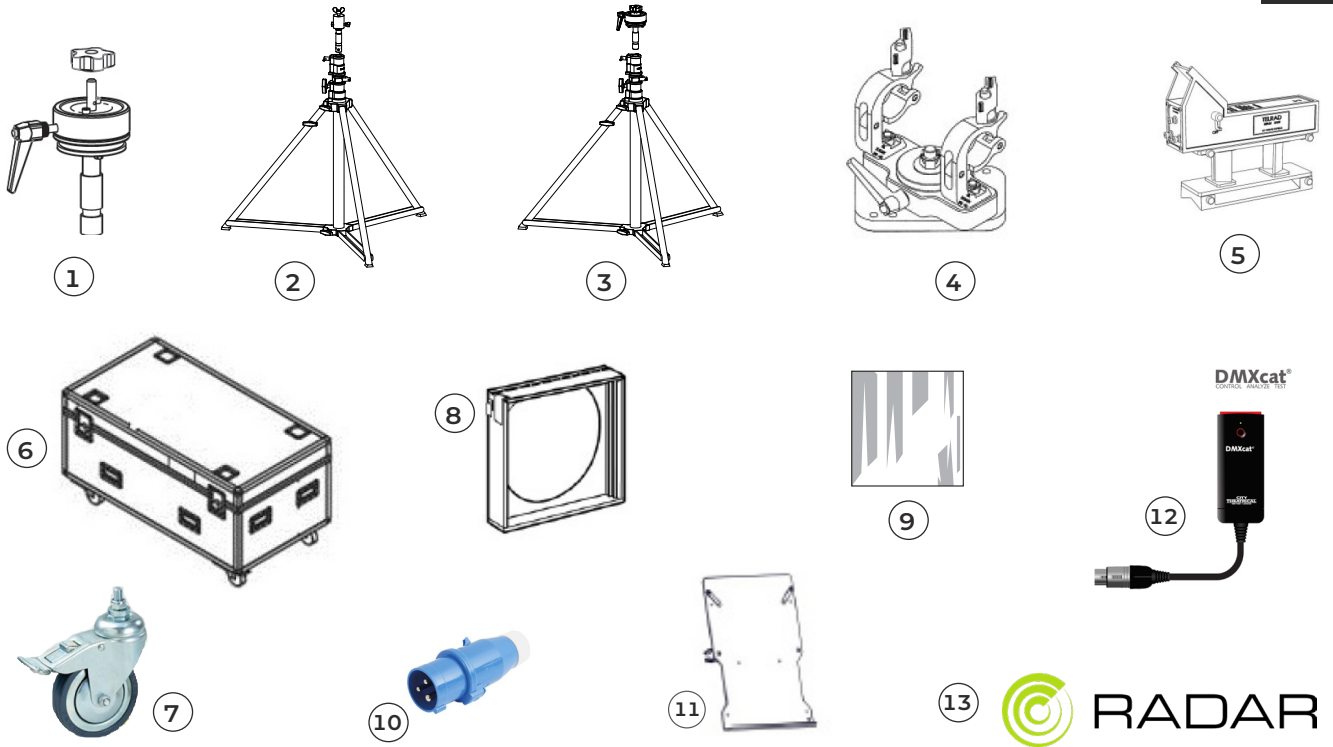


	Reference	Description
1	CAL03	Power cable with CEE 7/7 type in connectors (standard version)
2	CAL04	UL/CSA power cable without connector (North-American version)
3	SGUX	Universal "A" size gobo holder (metal, glass or frosted glass)
4	IS750	Full closing iris with holder - Weight: 0.35 Kg
5	PF1114	Ø165 mm metal filter holder (x6)
6	M165TP	6 ways "push/pull" colour changer - Weight: 2.09 Kg
7	DN41273300	Quick Start manual
8	Fusion/RJ	Madrix Radar (RDM monitoring): Fusion RJ licence - access to all RDM parameters of RJ fixtures

MADRIX RADAR - more information: [www.robertyuliat.com/RDM-Tools/Madrix\\_Radar](http://www.robertyuliat.com/RDM-Tools/Madrix_Radar)

## 2.4 Accessories

EN



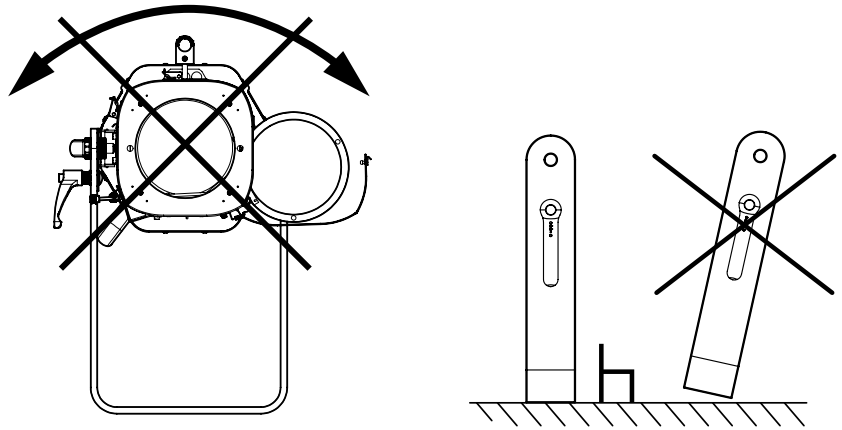
	Reference	Description
1	T1000	TV spigot with followspots swivel head - Weight: 1.82 Kg
2	GT800	Tripod stand - SWL: 40 Kg - max. height: 1550 mm - Weight: 7.98 Kg
3	GT1000	Tripod stand - SWL: 40 Kg - max. height: 1550 mm - Weight: 9.27 Kg
4	T4000	Followspot mount for Ø50mm pipe (suspension or overhead) - SWL= 100 Kg - Weight: 4.88 Kg
5	Kit TELRAD	Telrad followspot sight with raiser and universal mounting kit - Weight: 1.23 Kg
6	FC1176/S	Transport flight-case for ultra compact range followspots
7	W/GT800	Set of 3 wheels for GT800/1000 stand - Weight: 2.33 Kg
8	CAV600A	Double slot front cassette for 180x180mm accessories - Weight: 0.43 Kg
9	VD 120	120x120mm frosted glass
	FO120C-1	120x120mm 1° frost optical filter
	FO120C-10	120x120mm 10° frost optical filter
	FO120C-2	120x120mm 2° frost optical filter
	FO120C-5	120x120mm 5° frost optical filter
10	PCP1716A	16A blue 2P+E 6h IEC60309 power connector
11	SDUP	Followspot cue sheet holder with universal mounting kit
12	DMXcat	Bluetooth DMX/RDM Multifunction test tool - City Theatrical DMXcat®
13	Fusion/S	Madrix Radar (RDM monitoring): Fusion Small licence - up to 64 non-RJ RDM fixtures - USB dongle included
	Fusion/M	Madrix Radar (RDM monitoring): Fusion Medium licence - up to 512 non-RJ RDM fixtures - USB dongle included
	Fusion/L	Madrix Radar (RDM monitoring): Fusion Large licence - up to 4096 non-RJ RDM fixtures - USB dongle included

MADRIX RADAR – more information: [www.robertjuliat.com/RDM-Tools/Madrix\\_Radar](http://www.robertjuliat.com/RDM-Tools/Madrix_Radar)

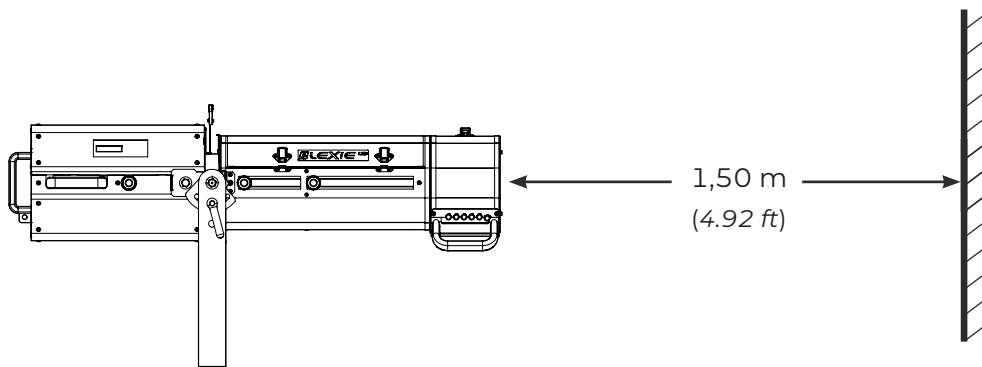
### 3 Set-up

#### 3.1 Mechanics

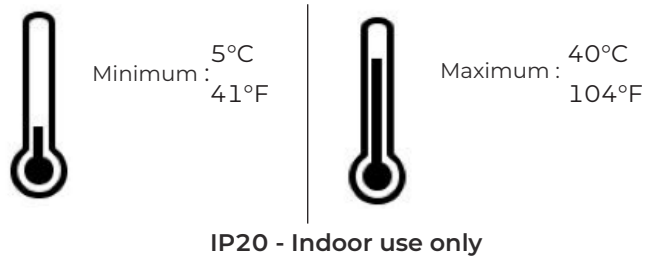
##### 3.1.1 Operating positions



##### 3.1.2 Minimum distance between a flammable material and the lighting unit

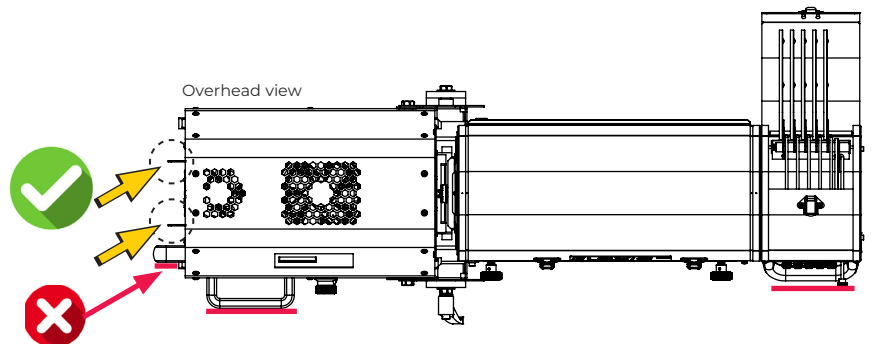


##### 3.1.3 Instructions for use

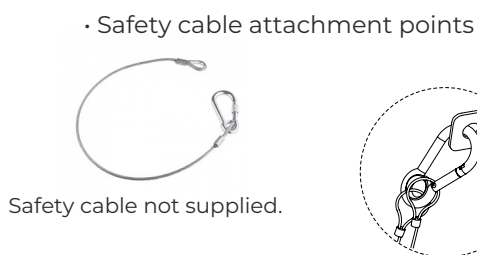


##### 3.1.4 Lifting

Net weight: 24 kg (52,8 lbs)

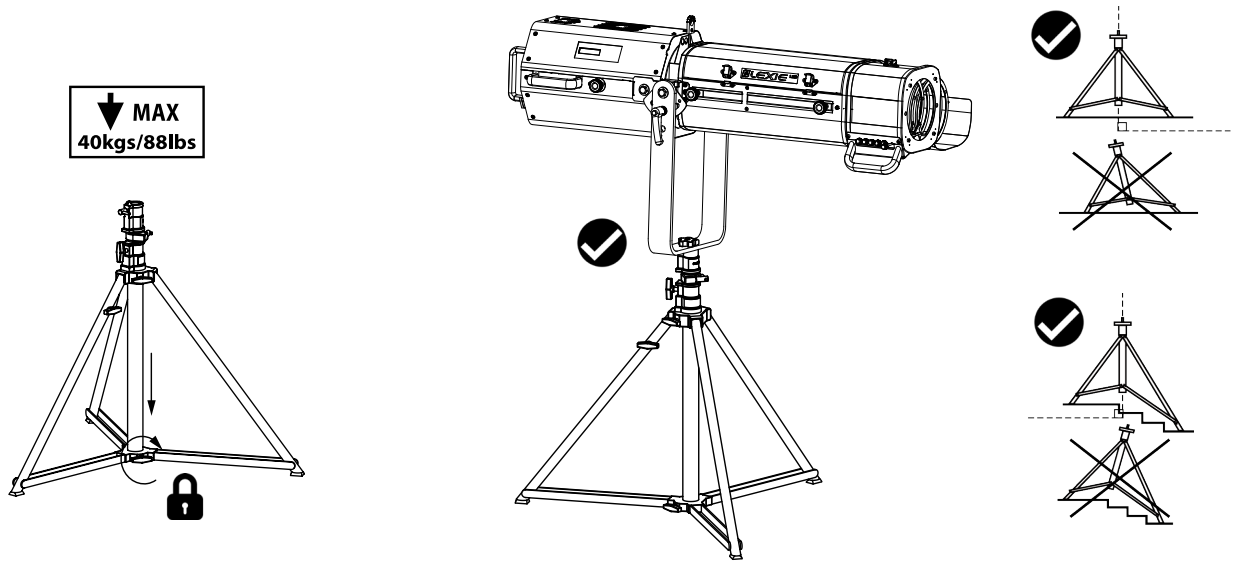


##### 3.1.5 Safety cable



### 3.1.6 Stand set-up

- Compatible stands : GT800 & GT1000  
Please refer to the relevant user manual for further details.



## 3.2 Electrical information

### 3.2.1 LED source



Never touch or scratch the LED surface.  
See 6.1.4 LED cleaning procedure if cleaning is necessary.

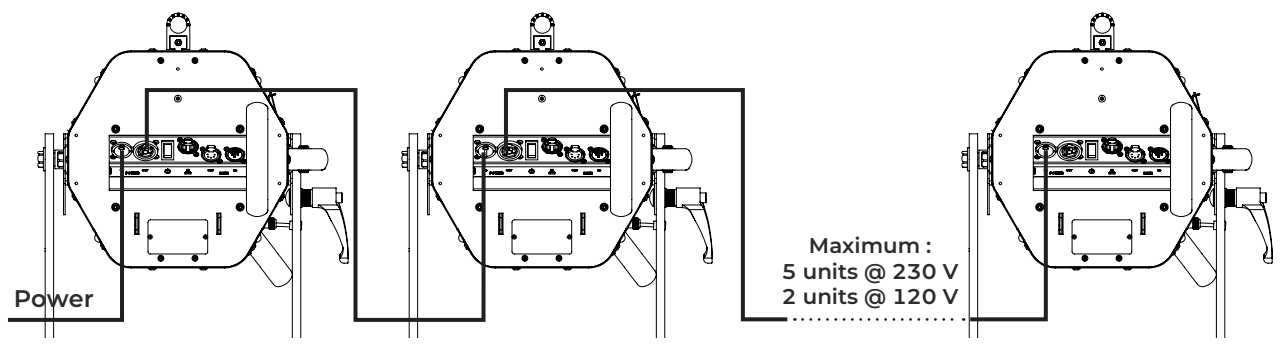
### 3.2.2 Power supply

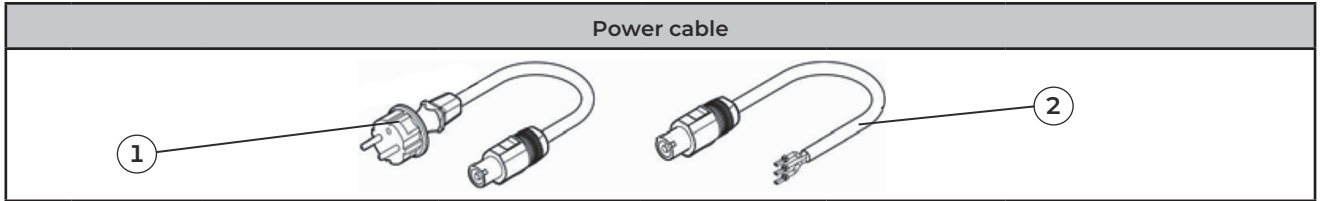
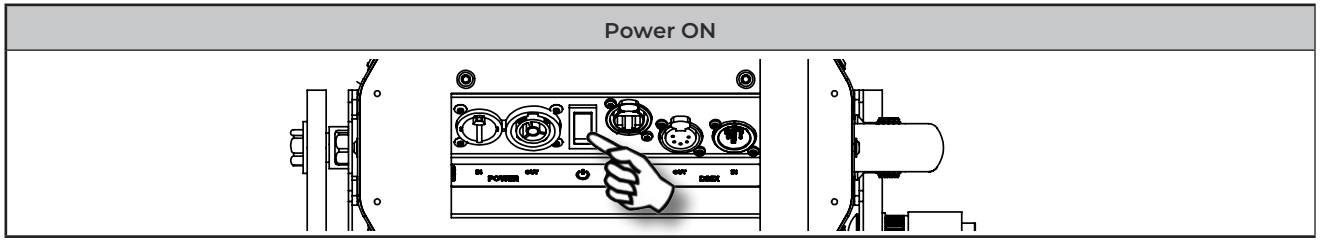
Power supply			
Voltage	Frequency	Input power	Connectors
90 → 277 V	47-63 Hz	2,33 A / 505 W @ 230 V 4,84 A / 515 W @ 110 V 5,35 A / 519 W @ 100 V Max: 6 A Standby mode: 9.3 W	Neutrik powerCON TRUE1 TOP Input : ref. NAC3FPX-TOP



- Class 1 product. **This luminaire must be earthed.**
- Must be connected directly to AC power. **Do not connect to dimmer power.**
- Automatic mains voltage detection.

Daisy chain (with delivered power cable):





Power cable	Connector	Mains plug	Cable type	Cable length	Wiring
1 Standard version	Neutrik® powerCON TRUE1 TOP NAC3FX-W-TOP	CEE7/7	3G1.5 H07RNF	3 m 9.8 ft	Live: Brown Neutral: Blue Ground: Yellow/Green
2 North American version		-	14AWG SJ TYPE (UL/CSA)	1.5 m 4.9 ft	Live: Black Neutral: White Ground: Green

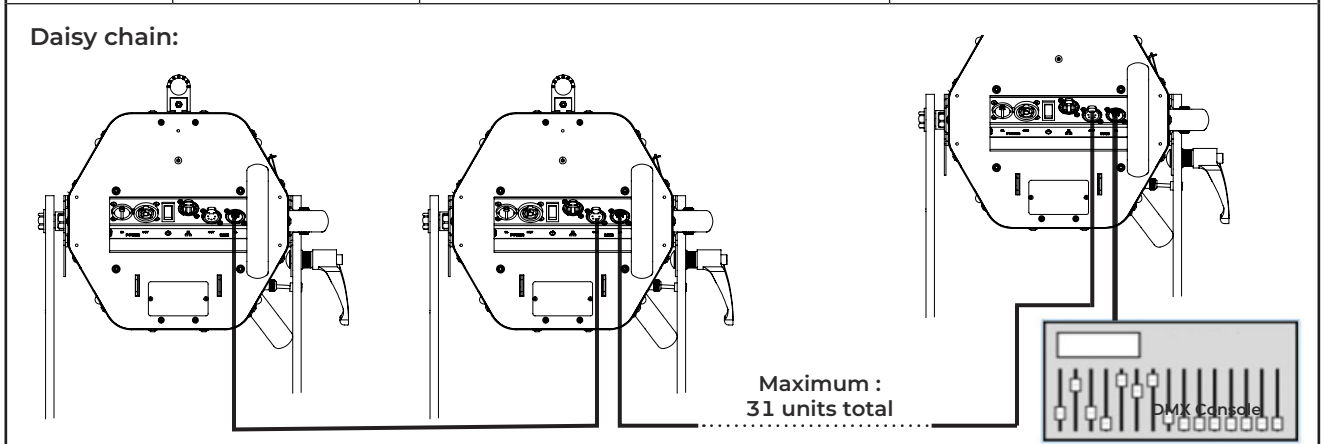


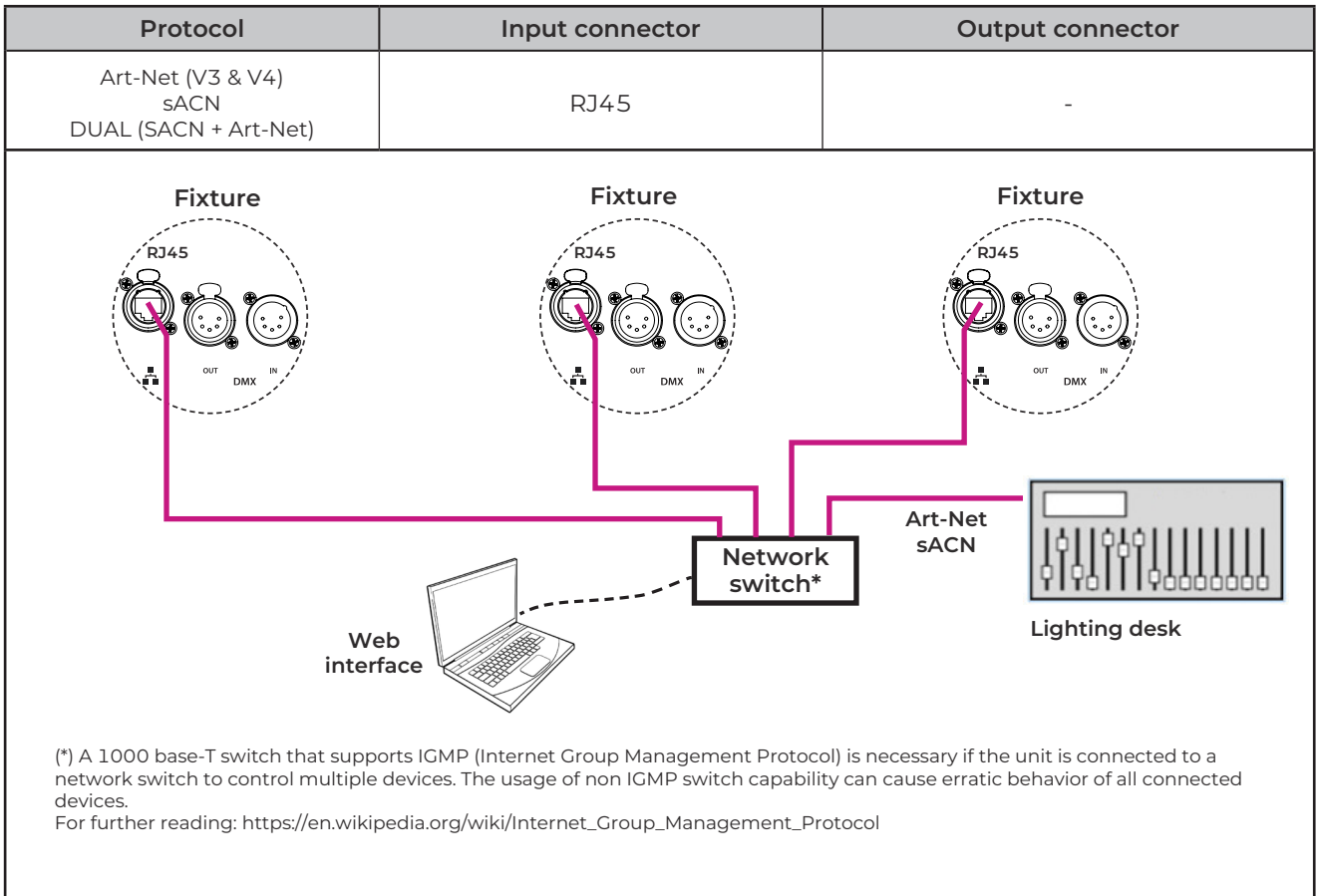
### 3.3 DATA

#### 3.3.1 DMX 512-A / RDM

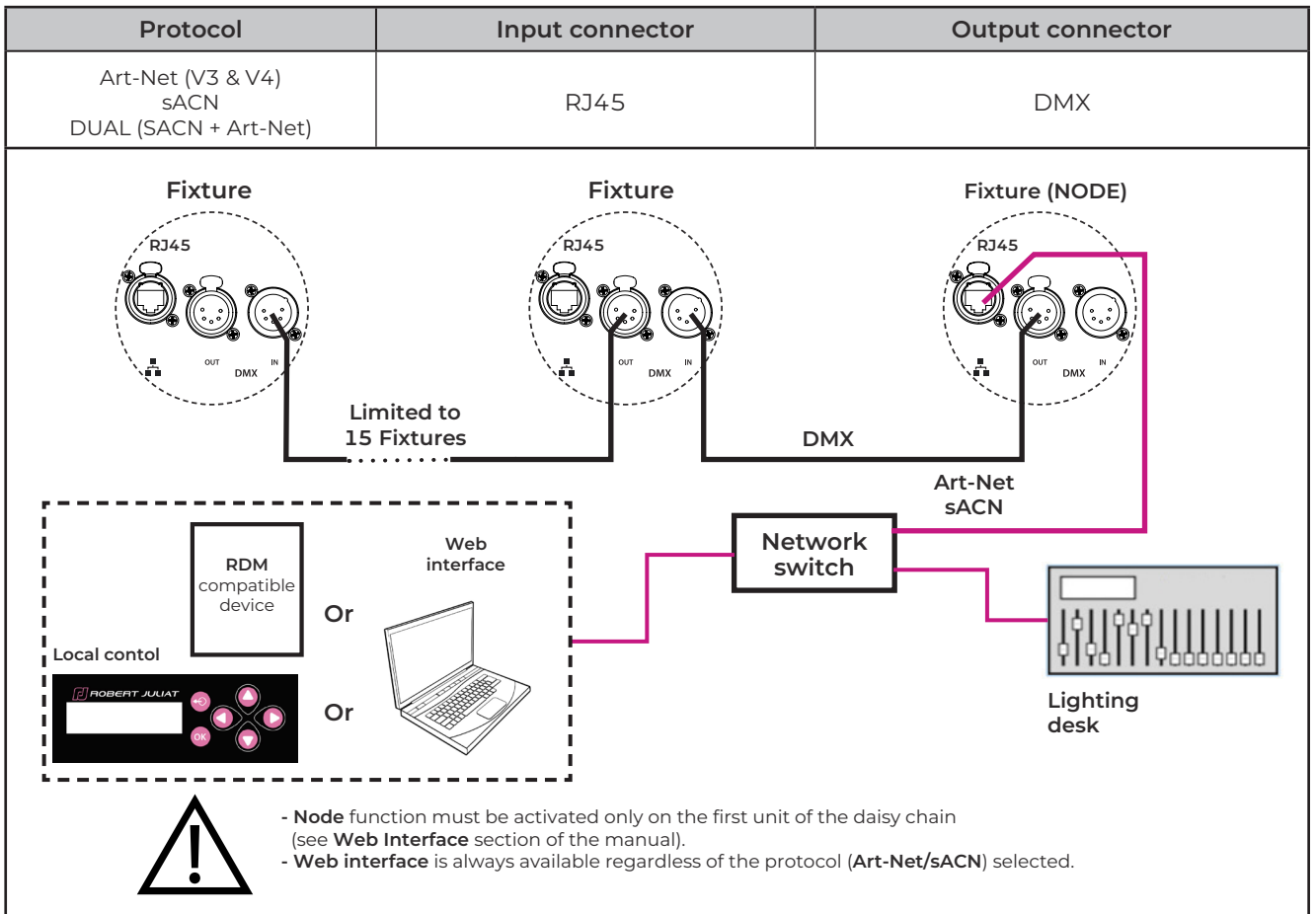
Protocol	Input connector	Output connector
USITT DMX 512-A RDM	XLR 5-pin	XLR 5-pin

DATA connectors			
PIN #	DMX	Description	
1	Shielding	Foil & Braided Shield	
2	DMX (-)	1st conductor of 1st twisted pair	
3	DMX (+)	2nd conductor of 1st twisted pair	
4	Not used	1st conductor of 2nd twisted pair	
5	Not used	2nd conductor of 2nd twisted pair	





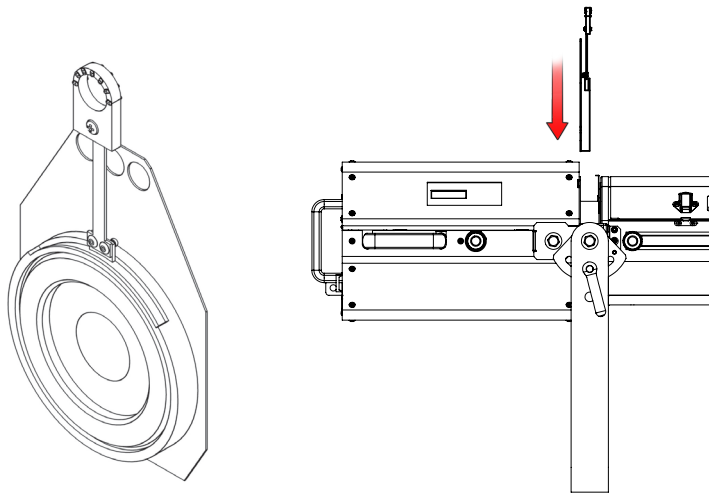
3.3.3 Ethernet / DMX node / DUAL



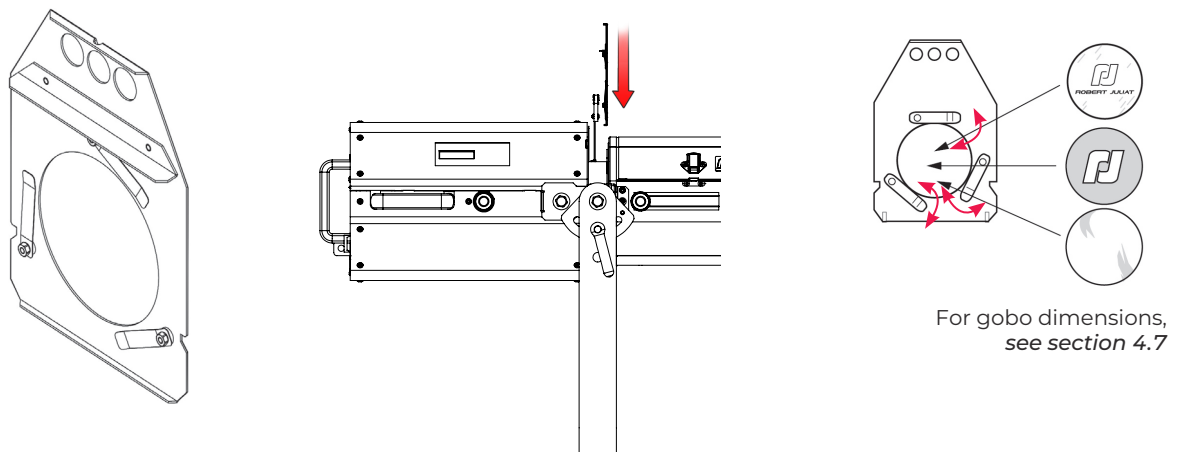
RJ-LED2 FIRMWARE PLATFORM (Node Mode) full manual is available for download at [www.robertjuliat.com/LED/PDF\\_PAGE](http://www.robertjuliat.com/LED/PDF_PAGE)

### 3.4 Accessories

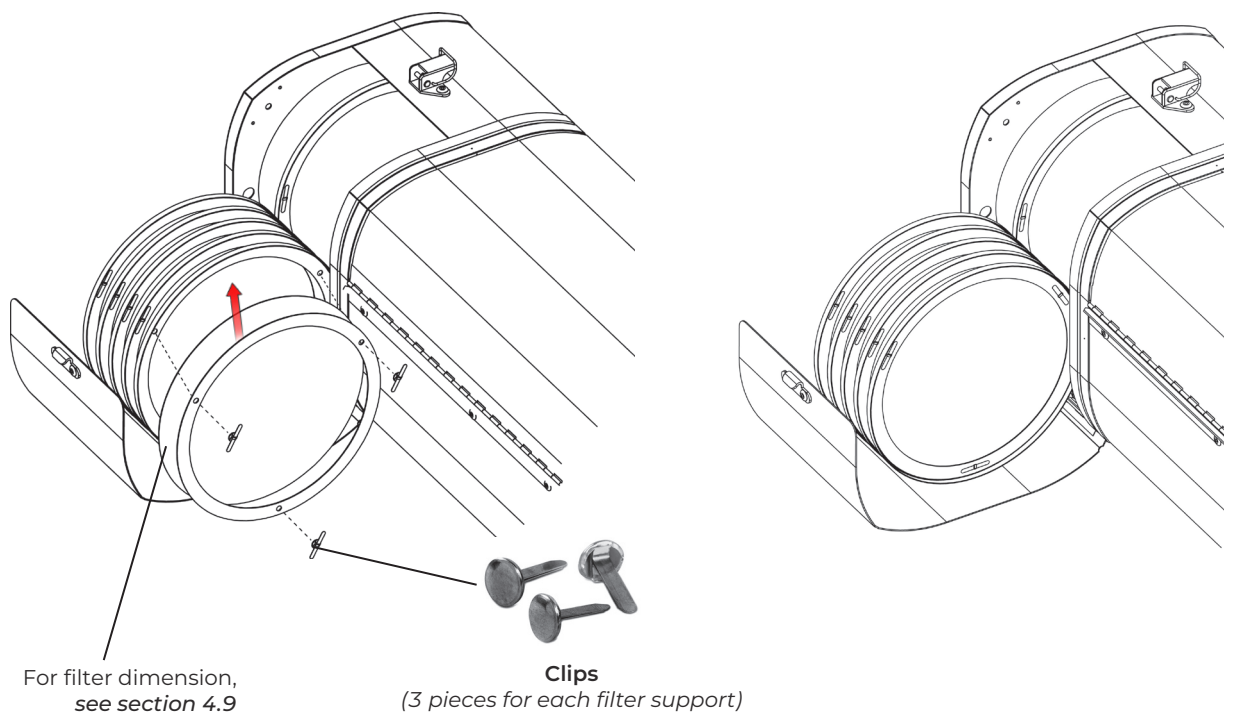
#### 3.4.1 Iris

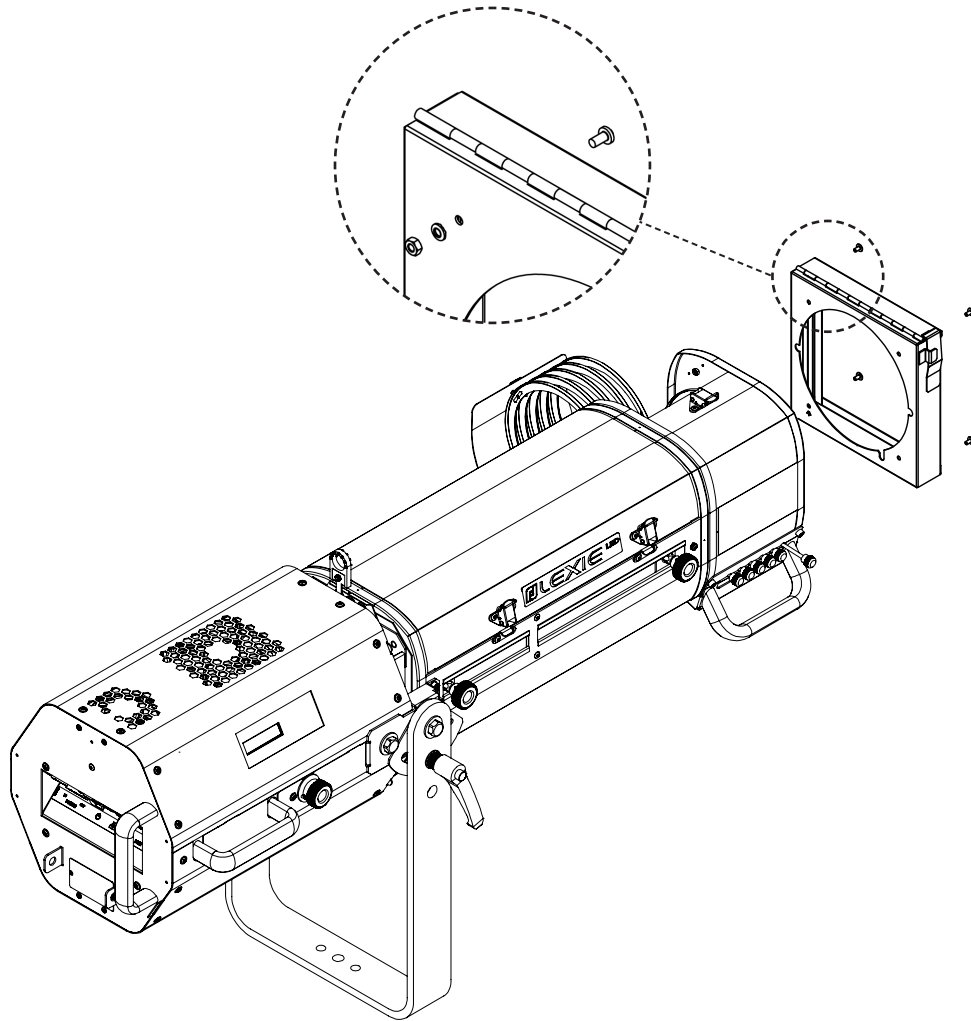


#### 3.4.2 Gobo holder

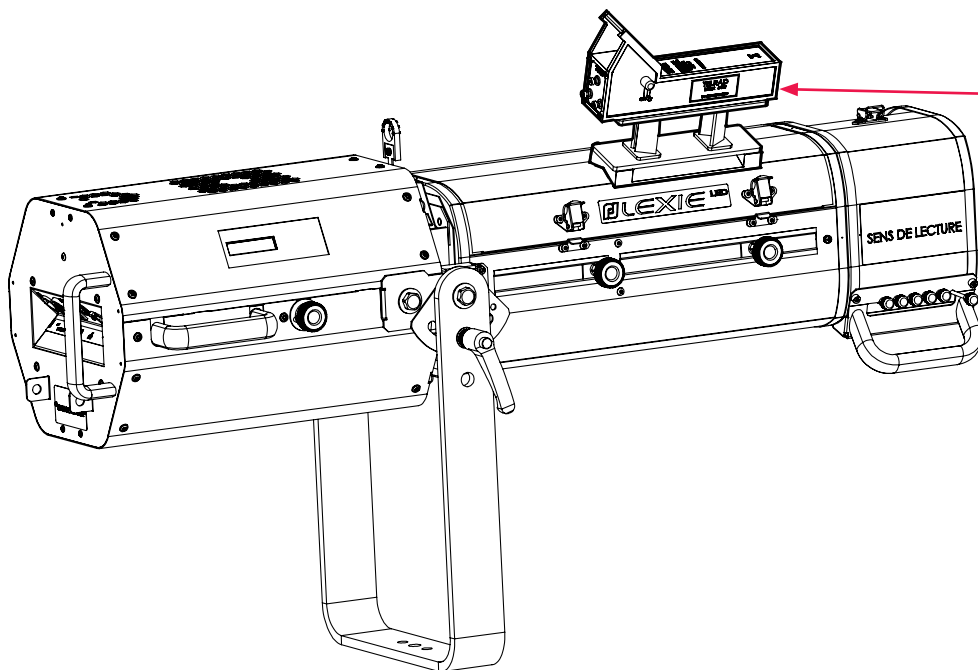


#### 3.4.3 Colour changer unit: push-pull





3.4.5 Telrad followspot sight



Followspot sight  
guide available @  
[www.robertjuliat.com/  
followspots/Accessories](http://www.robertjuliat.com/followspots/Accessories)

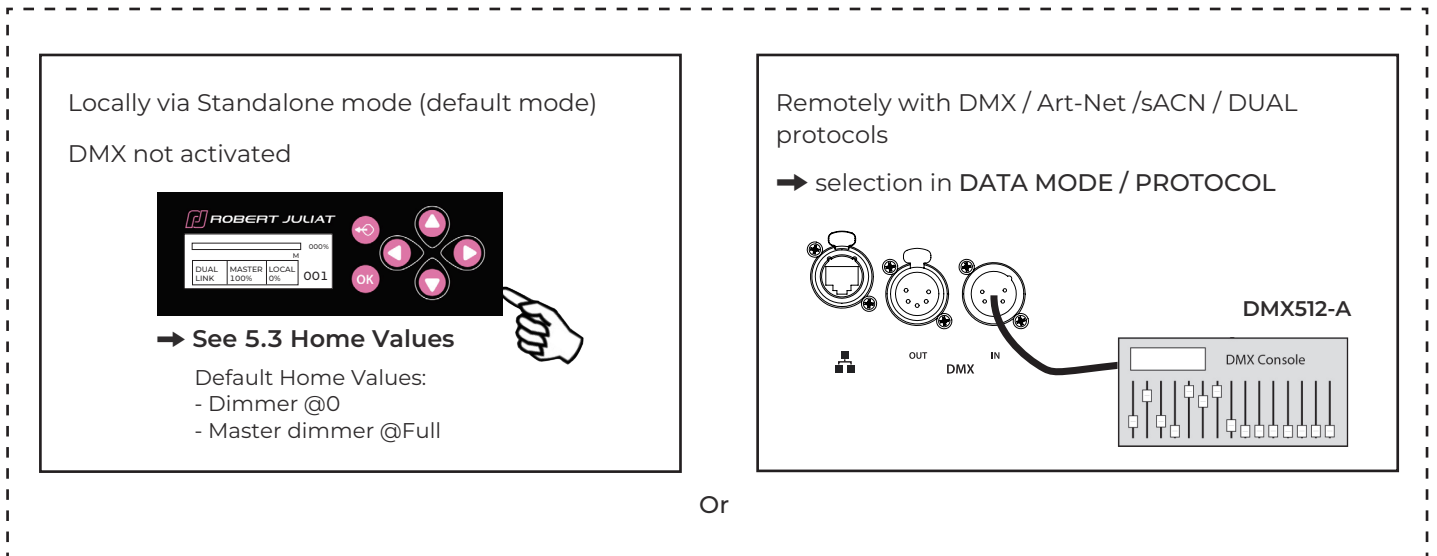
**Caution:** - Do not install the followspot sight on the lamp house to avoid blocking the ventilation vents.  
- Secure the sight with a suitable safety cable.

4.1 Light intensity

4.1.1 Range

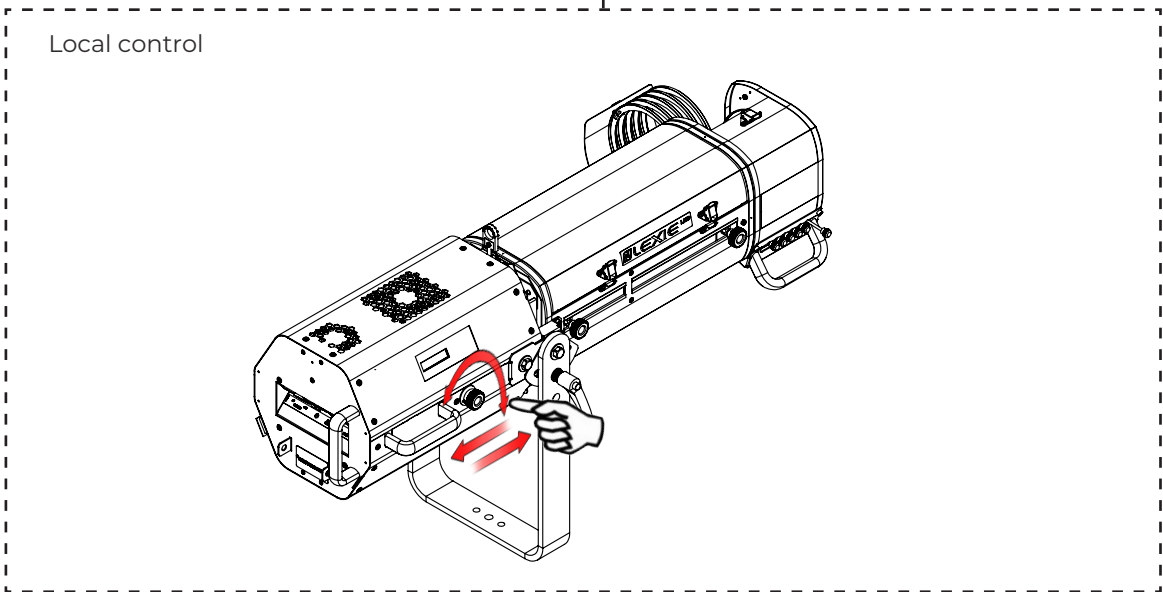


4.1.2 Control



And

**HTP mode (Highest Takes Precedence):**  
Light output is the highest value



### 4.1.3 Parameters

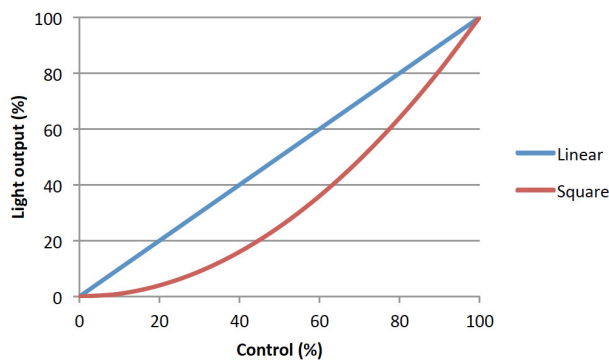
#### 4.1.3.1 Dimming resolution - DMX only

→ Set through RDM protocol, web interface or local control

Resolution	DMX mode
8 bits – 255 steps	1
16 bits – 65 535 steps	2 & 3

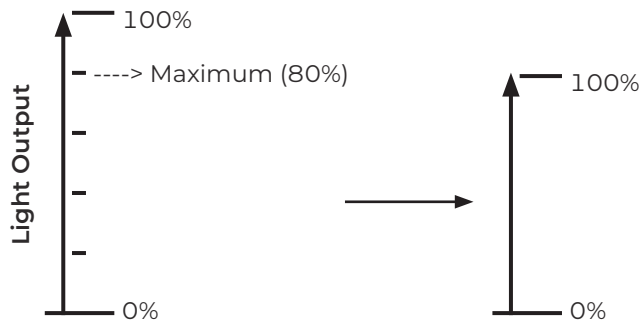
#### 4.1.3.2 Dimming curve

→ Set through RDM protocol, web interface or local control



#### 4.1.3.3 Set maximum position

→ Set through RDM protocol, web interface or local control



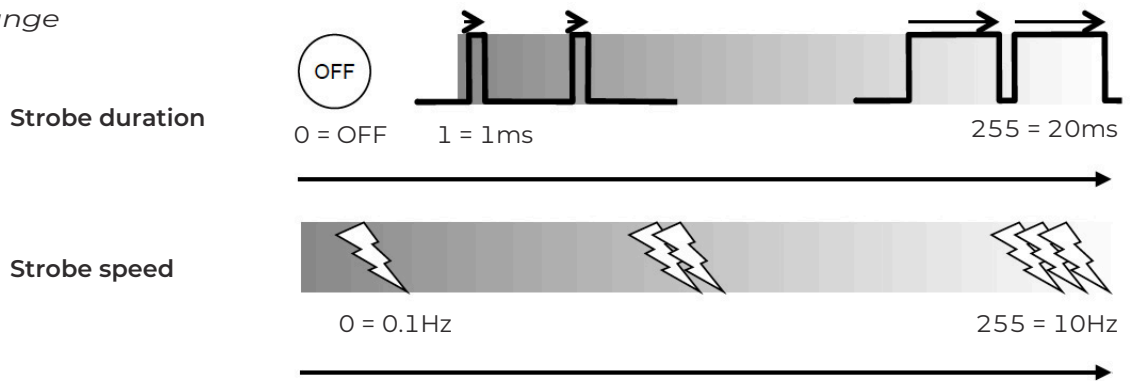
#### 4.1.3.4 Dimming mode

→ Set through RDM protocol, web interface or local control

Mode	Result
Without PWM	Flicker-Free, perfect for filming
PWM 17 kHz	Good dimming quality (Default Value)
PWM 3,2 kHz	Very good dimming

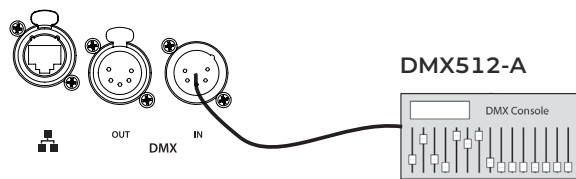
## 4.2 Strobe

### 4.2.1 Range



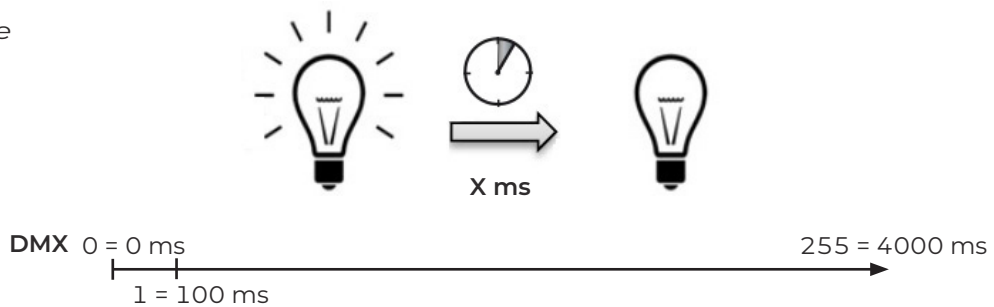
### 4.2.2 Control

→ Remotely with DMX512-A / Art-Net / sACN / Dual protocols.  
Mode 2 & 3



## 4.3 Response time

### 4.3.1 Range



### 4.3.2 Control

Remotely, with DMX512-A / Art-Net / sACN / Dual protocols  
Mode 2 & 3

→ Set through RDM protocol or web interface

Locally

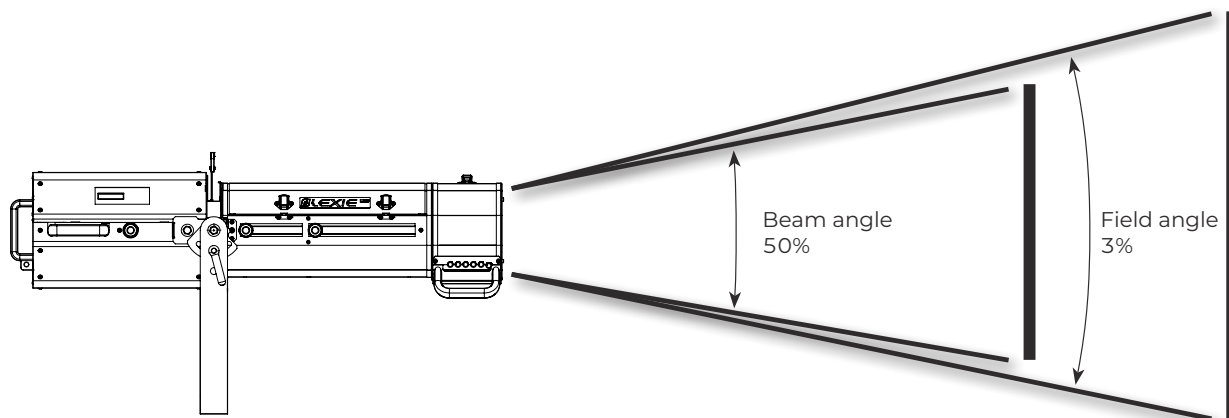
→ selection in SETUP/  
HOME VALUES/RESPONSE TIME

Mode	Speed
RAW	OFF
SLOW	700 ms
MEDIUM	470 ms
FAST	350 ms
CUSTOM	0 - 4000 ms

Mode	Speed
RAW	OFF
SLOW	700 ms
MEDIUM	470 ms
FAST	350 ms
CUSTOM	0 - 4000 ms

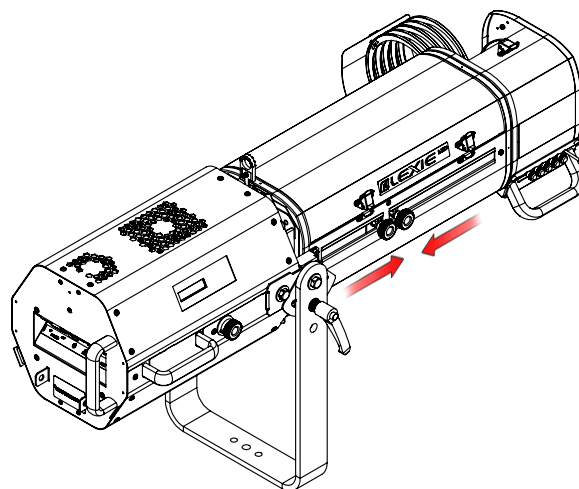
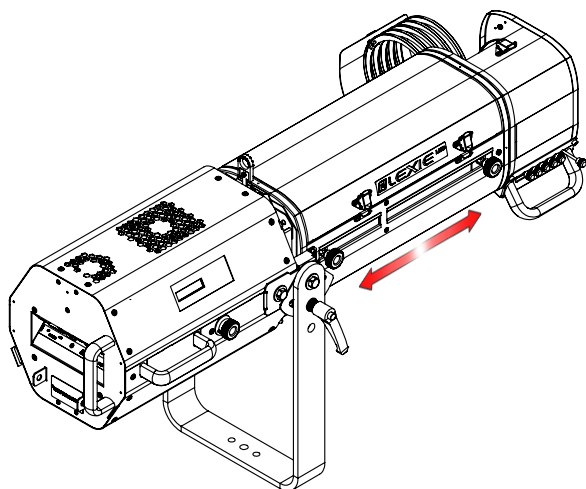
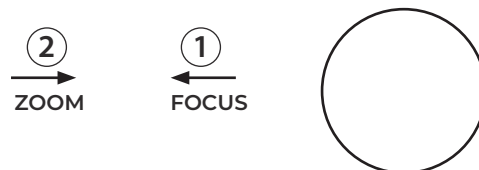
## 4.4 Beam size adjustment

### 4.4.1 Range



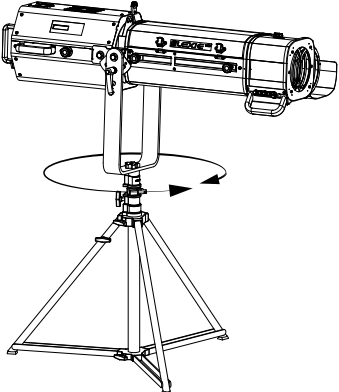
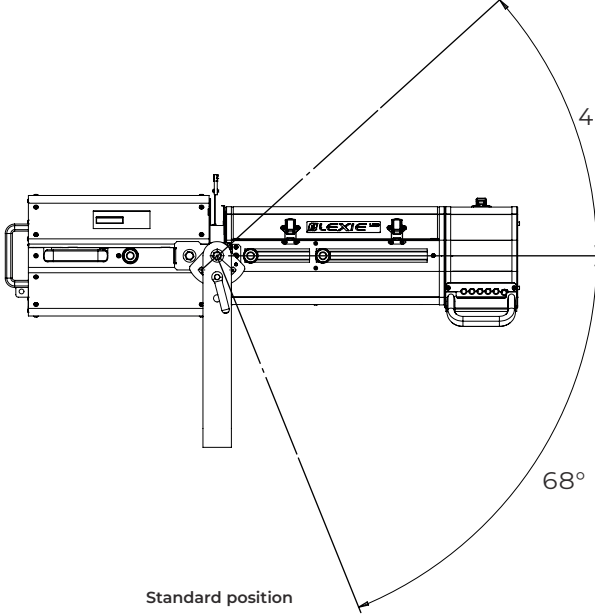
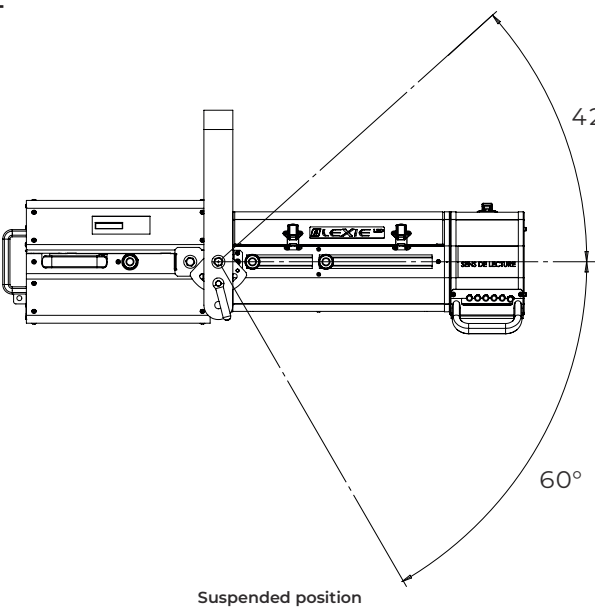
Model	Angles	Minimum angle	Maximum angle
1176	Beam angle	11,1°	16°
	Field angle	11,6°	22°

### 4.4.2 Control

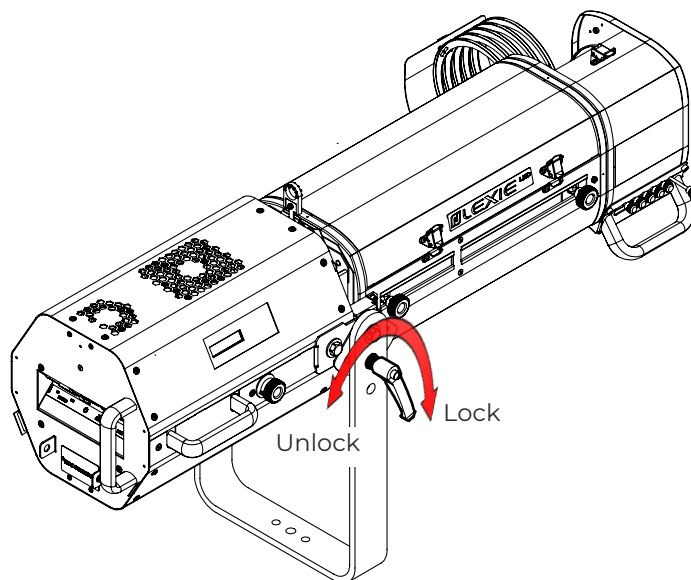


## 4.5 Pan / Tilt

### 4.5.1 Range

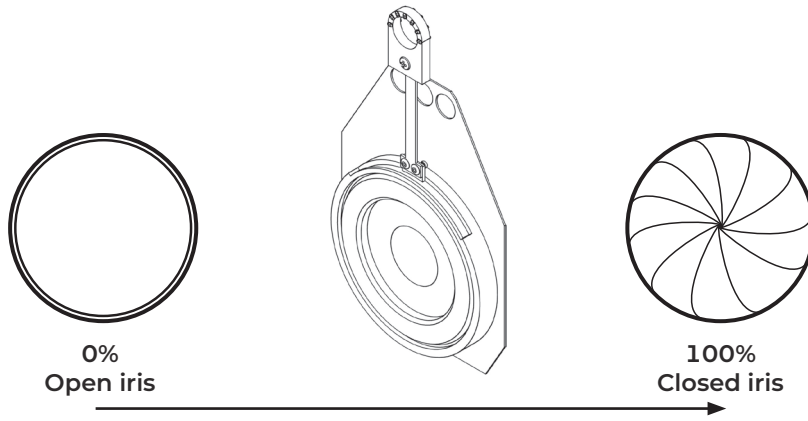
Function	Range
<p data-bbox="448 282 507 304">PAN</p> 	<p data-bbox="1075 495 1214 517">0 → 360°</p>
<p data-bbox="815 748 874 770">TILT</p>  <p data-bbox="341 1335 491 1357">Standard position</p>	 <p data-bbox="1062 1335 1212 1357">Suspended position</p>

### 4.5.2 Control

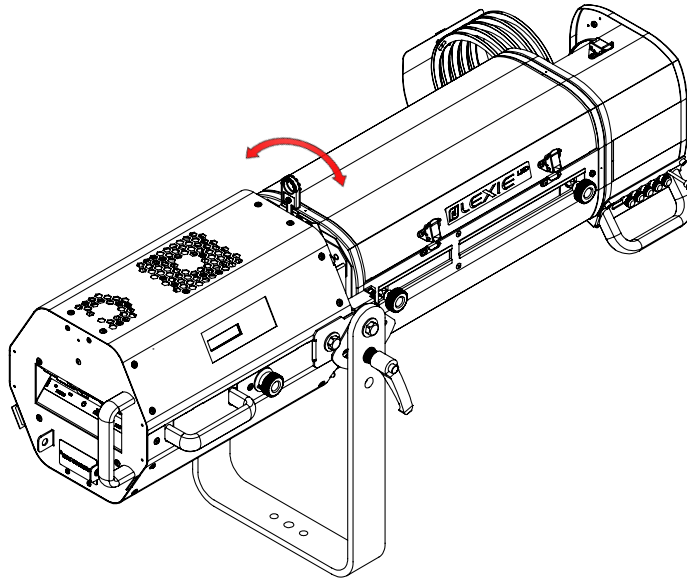


## 4.6 Iris

### 4.6.1 Range

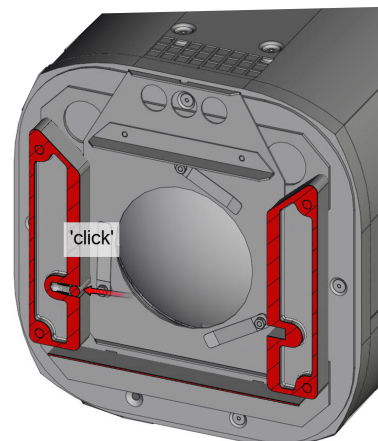
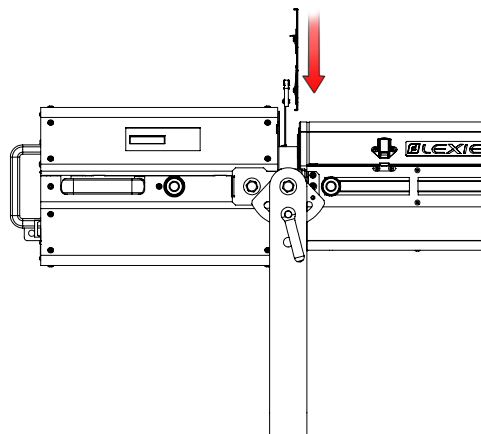
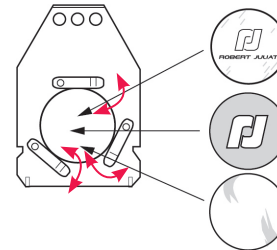
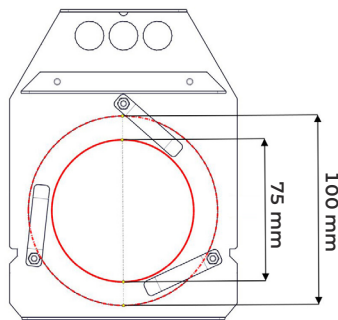


### 4.6.2 Control



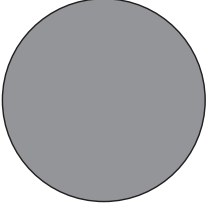
## 4.7 Gobo

### 4.7.1 Range



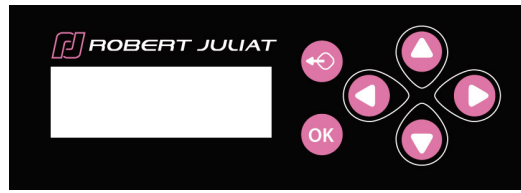
## 4.8 Colour

### 4.8.1 Range

Type	Coloured gel filter
Dimension	<p style="text-align: center;"><b>Ø165 mm</b></p> 
Installation	<p style="text-align: center;">See section <b>3.4.3</b> Place dark colours towards the front end.</p>

## 5.1 Local display and controls

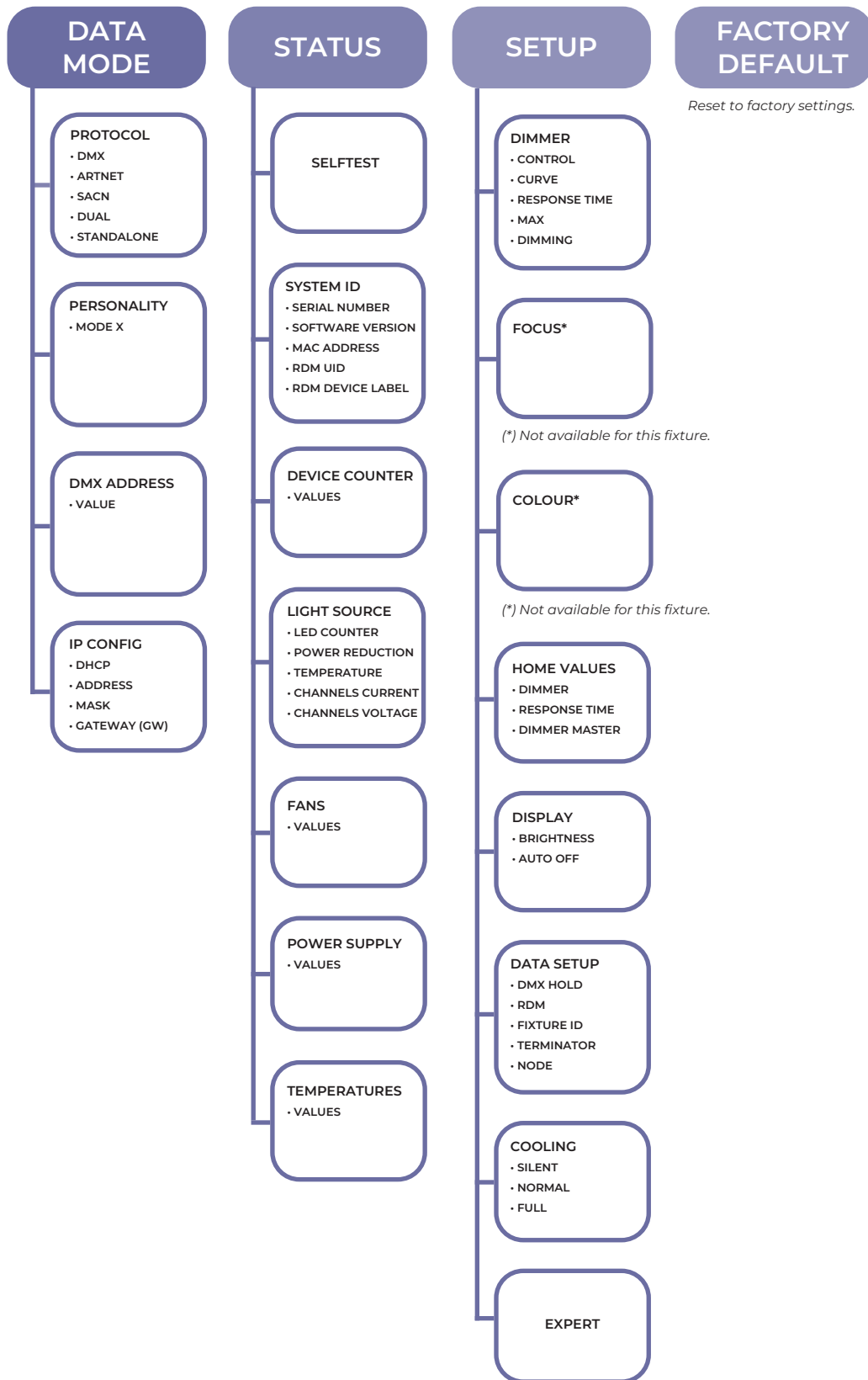
### 5.1.1 Display



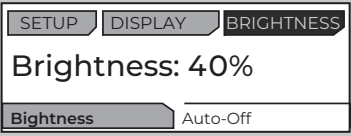
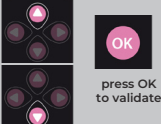
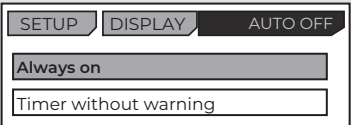
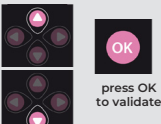
Function	
	Exit the current menu option and/or go back
	Enter the current menu option and/or valid
	Scroll through menus and/or Increase data value
	Scroll through menus and/or Decrease data value
	Scroll through menus and/or Increase data value
	Scroll through menus and/or Decrease data value

### 5.1.2 Home screen

Display	Mode	Description
	Home	Main display (home screen)
	 x1 push	Diagnostics
	 x1 push	Network information



→ Selection in menu: **SETUP / DISPLAY**

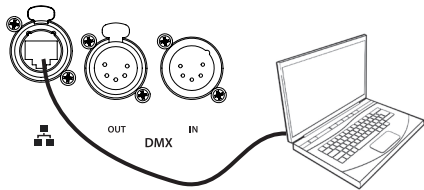
Display	Function	Description
	<p><b>Brightness</b></p>	<p>Adjust the intensity of the screen</p> <p>To change value, press buttons:</p> 
	<p><b>Auto-OFF</b></p>	<p>To keep the main display (home screen) always ON, select :</p> <p><b>Always ON</b> Auto OFF Auto OFF only warnings</p> <p>Main display turns OFF after 20 seconds</p> 

## 5.2.1 Protocol

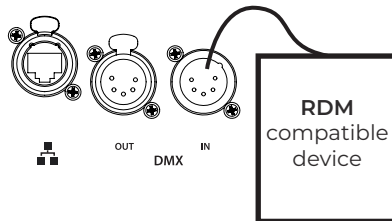
E1.11 – 2008, USITT DMX512-A

## 5.2.2 Configuration

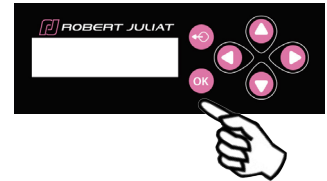
Set mode through web interface  
(see 5.9 Web interface)



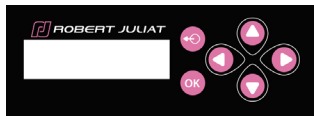
Set mode through RDM protocol



Local control

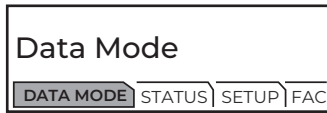


- 1 - Set DMX address
- 2 - Set personality mode (see 5.2.4. DMX chart)

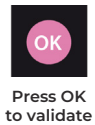
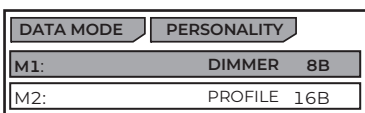


**Caution:**

Activate DMX in protocol mode beforehand.



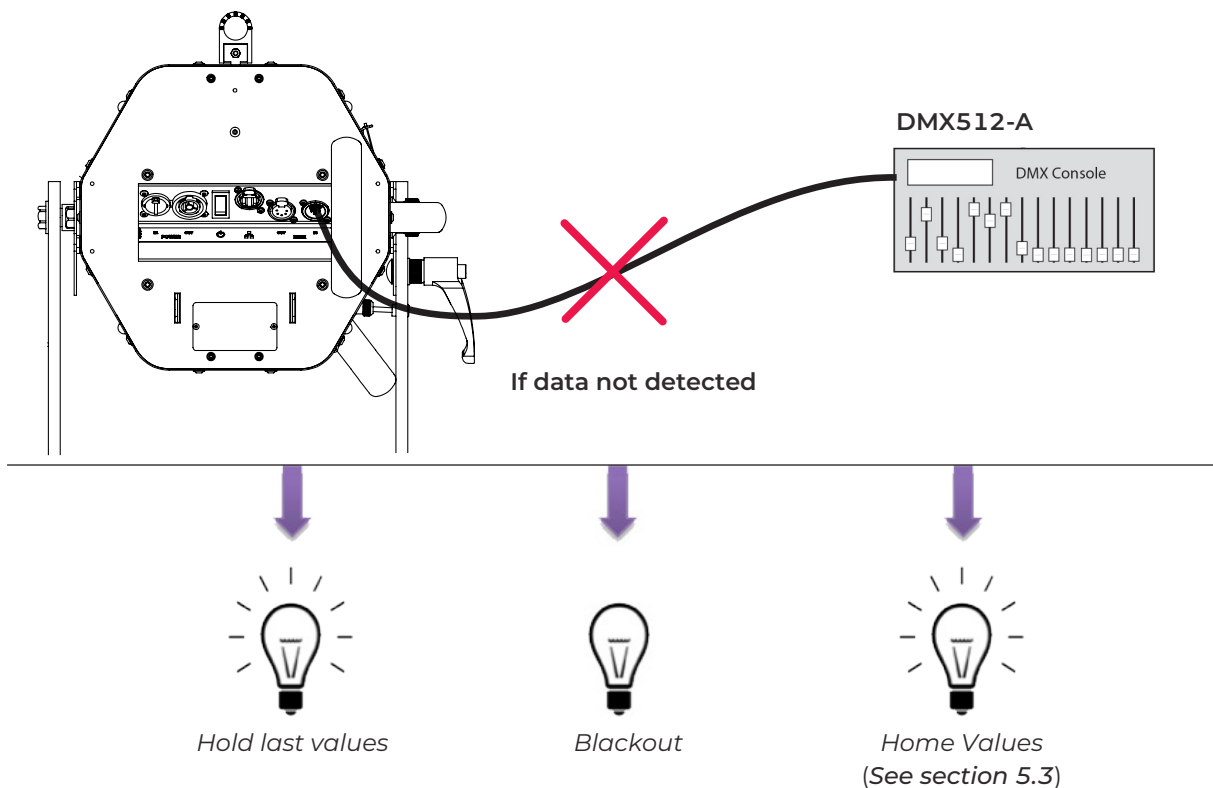
Selection of the unit personality



5.2.3 Parameters

5.2.3.1 DMX Hold



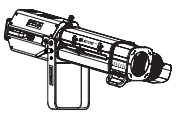
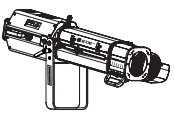


→ Selection in **SETUP / Data Setup / DMX HOLD** menu



5.2.3.2 Fixture ID

→ Selection in **SETUP / Data Setup / FIXTURE ID** menu

Each unit can be identified by a Fixture ID number  
 – Once defined, the Fixture ID is displayed on the Home screen.

Example: Installation with 6 units						
Home screen information	ID1 @ 101	ID2 @ 123	ID3 @ 145	ID4 @ 167	ID5 @ 189	ID6 @ 211
Fixture ID	1	2	3	4	5	6
DMX address	101	123	145	167	189	211

### 5.2.3.3 Terminator

#### Mode: Auto

A resistor of 120R is automatically connected to terminate the DMX line as the RS485 standard specifies.

### 5.2.3.4 Node

On sACN/ArtNet/Dual mode we have the possibility to transmit a DMX/RDM signal protocol on the DMX port (Output). The selection can be done through the menu/Webpage/RDM.

On Dual mode (sACN/ArtRdm) the node feature is automatically selected.

## 5.2.4 DMX chart

DMX Channel	Mode 1 Dimmer 8B	Mode 2 Profile 16B	Mode 3 Followspot 16B
1	Dimmer	Dimmer	Dimmer
2		Dimmer fine	Dimmer fine
3		Strobe duration	Master
4		Strobe speed	Master fine
5		Response time	Strobe duration
6		Control mode	Strobe speed
7			Response time
8			Control mode

## 5.2.5 DMX ranges

### 5.2.5.1 Strobe duration

Range min	Range max	Function
0	0	Strobe OFF
1	255	Strobe ON - 1 ms → 20 ms

### 5.2.5.2 Strobe speed

Range min	Range max	Function
0	255	Frequency: 0,1 Hz → 10 Hz

### 5.2.5.3 Response time

Range min	Range max	Function
0	0	OFF
1	255	Response time: 0,1 s → 4 s

## 5.2.5.4 Control mode\*

Range min	Range max	Function
0	0	-
1	10	RDM OFF
11	20	RDM ON
21	30	Fixture Reset
31	40	Dimmer Curve Linear
41	50	Dimmer Curve Square
51		
61		
71		
81		
91		
101	110	Cooling mode: Silent
111	120	Cooling mode: Normal
121	130	Cooling mode: Full power
131	255	Not used

(\*) Function activated after 5 seconds - needs to go back to zero to activate second function.

## 5.2.6.1 Protocol

## ANSI E1.20 – 2010 / ANSI E1.37 - 1

For more information about RDM protocol: <http://www.rdmprotocol.org/>

## 5.2.6.2 Functions

PID	Description	Standard	Get	Set	Queued_Message	Ack_Timer	VERSION 5.00
<b>Network Management</b>							
00 01	DISCOVERY_UNIQUE_BRANCH	E1.20					✓
00 02	DISCOVERY_MUTE	E1.20		✓			✓
00 03	DISCOVERY_UNMUTE	E1.20		✓			✓
00 15	COMMUNICATION_STATUS	E1.20	✓	✓			✓
<b>Status Collection</b>							
00 20	QUEUED_MESSAGE	E1.20	✓				✓
00 30	STATUS_MESSAGES	E1.20	✓				✓
00 31	STATUS_ID_DESCRIPTION	E1.20	✓				✓
00 32	CLEAR_STATUS_ID	E1.20		✓			✓
00 33	QUEUED_MESSAGE_SENSOR_SUBSCRIBE	E1.20-2023	✓	✓			
<b>RDM Information</b>							
00 50	SUPPORTED_PARAMETERS	E1.20	✓				✓
00 51	PARAMETER_DESCRIPTION	E1.20	✓				✓
<b>Product Information</b>							
00 60	DEVICE_INFO	E1.20	✓			✓	✓
00 70	PRODUCT_DETAIL_ID_LIST	E1.20	✓				✓
00 80	DEVICE_MODEL_DESCRIPTION	E1.20	✓				✓
00 81	MANUFACTURER_LABEL	E1.20	✓				✓
00 82	DEVICE_LABEL	E1.20	✓	✓	✓	✓	✓
00 90	FACTORY_DEFAULTS	E1.20	✓	✓		✓	✓
00 C0	SOFTWARE_VERSION_LABEL	E1.20	✓			✓	✓
00 C2	BOOT_SOFTWARE_VERSION_LABEL	E1.20	✓				✓
<b>DMX512 Setup</b>							
00 E0	DMX512_PERSONALITY	E1.20	✓	✓	✓	✓	✓
00 E1	DMX512_PERSONALITY_DESCRIPTION	E1.20	✓				✓
00 F0	DMX512_STARTING_ADDRESS	E1.20	✓	✓	✓	✓	✓
01 20	SLOT_INFO	E1.20	✓				✓
01 21	SLOT_DESCRIPTION	E1.20	✓				✓
<b>Sensors</b>							
02 00	SENSOR_DEFINITION	E1.20	✓				✓
02 01	SENSOR_VALUE	E1.20	✓				✓
<b>Dimmer Settings</b>							
03 40	DIMMER_INFO	E1.37-1	✓				✓
03 42	MAXIMUM_LEVEL	E1.37-1	✓	✓	✓	✓	✓
03 43	CURVE	E1.37-1	✓	✓	✓	✓	✓
03 44	CURVE_DESCRIPTION	E1.37-1	✓				✓
03 45	OUTPUT_RESPONSE_TIME	E1.37-1	✓	✓	✓	✓	✓
03 46	OUTPUT_RESPONSE_TIME_DESCRIPTION	E1.37-1	✓				✓
03 47	MODULATION_FREQUENCY	E1.37-1	✓	✓	✓	✓	✓
03 48	MODULATION_FREQUENCY_DESCRIPTION	E1.37-1	✓				✓
<b>Power / Lamp Settings</b>							
04 00	DEVICE_HOURS	E1.20	✓				✓
04 01	LAMP_HOURS	E1.20	✓	✓			✓
<b>Display Settings</b>							
05 01	DISPLAY_LEVEL	E1.20	✓	✓	✓	✓	✓

PID	Description	Standard	Get	Set	Queued_Message	Ack_Timer	SULLY
<b>Control</b>							
10	00	IDENTIFY_DEVICE	E1.20	✓	✓	✓	✓
10	01	RESET_DEVICE	E1.20		✓	✓	✓
10	20	PERFORM_SELFTEST	E1.20	✓	✓	✓	✓
10	21	SELF_TEST_DESCRIPTION	E1.20				✓
<b>RDMnet Management</b>							
07	00	LIST_INTERFACES	E1.37-2	✓			✓
07	01	INTERFACE_LABEL	E1.37-2	✓			✓
07	02	INTERFACE_HARDWARE_ADRESS_TYPE1	E1.37-2	✓			✓
07	03	IPV4_DHCP_MODE	E1.37-2	✓	✓	✓	✓
07	05	IPV4_CURRENT_ADDRESS	E1.37-2	✓		✓	✓
07	06	IPV4_STATIC_ADDRESS	E1.37-2	✓	✓		✓
07	09	INTERFACE_APPLY_CONFIGURATION	E1.37-2		✓		✓
07	0A	IPV4_DEFAULT_ROUTE	E1.37-2	✓	✓	✓	✓
07	0B	DNS_IPV4_NAME_SERVER	E1.37-2	✓	✓	✓	✓
<b>PID Manufacturer</b>							
85	58	SELFTEST_RESULT	E1.20	✓			✓
85	59	CURRENT_IP_ADDRESS	E1.20	✓		✓	✓
85	5A	CURRENT_NETMASK	E1.20	✓		✓	✓
85	5B	CURRENT_DRIVER_STATUS	E1.20	✓		✓	✓
85	5C	CUSTOM_RESPONSE_TIME_DESCRIPTION	E1.20	✓			✓
85	5D	CUSTOM_RESPONSE_TIME_VALUE	E1.20	✓	✓	✓	✓
85	60	DATA_MODE_DESCRIPTION	E1.20	✓			✓
85	61	DATA_MODE_VALUE	E1.20	✓	✓	✓	✓
85	62	STANDALONE_VALUE_DESCRIPTION	E1.20	✓			✓
85	63	STANDALONE_VALUE	E1.20	✓	✓	✓	✓
85	64	SACN_UNIVERSE_VALUE_DESCRIPTION	E1.20	✓			✓
85	65	SACN_UNIVERSE_VALUE	E1.20	✓	✓	✓	✓
85	66	ARTNET_UNIVERSE_VALUE_DESCRIPTION	E1.20	✓			✓
85	67	ARTNET_UNIVERSE_VALUE	E1.20	✓	✓	✓	✓
85	68	SERIAL_DESCRIPTION	E1.20	✓			✓
85	69	SERIAL	E1.20	✓	✓	✓	✓
85	6A	DMX_HOLD_DESCRIPTION	E1.20	✓			✓
85	6B	DMX_HOLD	E1.20	✓	✓	✓	✓
85	6C	COMMAND_LOCK_DESCRIPTION	E1.20	✓			✓
85	6D	COMMAND_LOCK_VALUE	E1.20	✓	✓	✓	✓
85	6E	DRIVER_CALIBRATE_DESCRIPTION	E1.20	✓			✓
85	6F	DRIVER_CALIBRATE_VALUE	E1.20	✓	✓	✓	✓
85	70	NODE_DESCRIPTION	E1.20	✓			✓
85	71	NODE_VALUE	E1.20	✓	✓	✓	✓
85	72	TERMINATOR_DESCRIPTION	E1.20	✓			✓
85	73	TERMINATOR	E1.20	✓	✓	✓	✓
85	74	DMX_ERROR_COUNTER_DESCRIPTION	E1.20	✓			✓
85	75	DMX_ERROR_COUNTER	E1.20	✓	✓	✓	✓

### 5.3 Home values & Standalone

“Home values” represent a selection of parameters manually entered into the device via the keypad to produce a defined lighting effect and dimming behavior.

These Home values can be set in the following modes:

Parameters / control modes	DMX - Dimmer mode Mode 1	DMX - Profile mode Mode 2	Followspot 16B Mode 3	Standalone*
Dimmer	DMX	DMX	DMX	HOME VALUE
Response time	HOME VALUE	DMX	DMX	HOME VALUE
Dimmer Master	HOME VALUE	HOME VALUE	DMX	HOME VALUE

**If the function is not controlled by DMX, the Home value is automatically activated.**

**(\*) Functions are displayed according to the selected mode (Mode 1-2-3).**

- In the case of using one or more functions in Mode 1 / 2 / 3      Data mode → personality → Mode 1 / Mode 2 / Mode 3

**(\*\*) Defines a standalone operating mode in the following cases:**

- As default values when used without data      Data mode → Protocol → Standalone
- As reference values following a data signal loss.      Set up → Data set up → DMX hold → Standalone

### 5.4 Network

Our network stack can handle several flows of protocol at the same time.

Protocol always available:

- Web page to set up parameters - *See section 5.4.4*
- LLRP (Low Level Recovery Protocol) for IP network configuration - *See section 5.4.5*

A selection of Protocols dedicated to lighting:

- Art-Net V4 - *See section 5.4.1*
- sACN - *See section 5.4.2*
- Dual: Sacn + Art-RDM (DMX512 data signal + RDM) - *See section 5.4.3*

From July 2024 the Robert Juliat equipment based on RJ LED2 platform is configured as follows:

- DHCP (**D**ynamic **H**ost **C**onfiguration **P**rotocol - **RFC1531**) ON  
→ <https://www.rfc-editor.org/rfc/rfc1531>
- Zeroconf (**Z**ero-**C**onfiguration **N**etworking - **IPv4LL/APIPA** - **RFC3927**) ON  
→ <https://www.rfc-editor.org/rfc/rfc3927>

IP Addressing of Parameters - *See section 5.1.2*

*Default:*

- At startup, the device's IP address is set to 000.000.000.000 with a subnet mask of 000.000.000.000
- After connecting to the network, the device awaits the assignment of an IP address and subnet mask by the DHCP server.
- If there is no DHCP server, a unique IP address and subnet mask are automatically assigned.  
IP : 169.254.XXX.XXX Mask : 255.255.0.0

Most personal computers are configured with DHCP and Zeroconf enabled, so the IP address defaults to 169.254.X.X with a subnet mask of 255.255.0.0.

When connected to a Robert Juliat device, since the IP address/mask range are in the same class, network communication works seamlessly.

This configuration was chosen to make it easier for non-IT technicians.

#### Static IP:

It's possible to configure a static IP address, but be sure to select a unique IP address with the correct subnet mask.

Configuration can be done via the Web Page, RDM, LLRP, Art-Net, or locally.

#### Default IP Address:

When DHCP mode is OFF and no static IP address has been selected, the device will default to a Class A IP address of 2.XXX.XXX.XXX with a subnet mask of 255.0.0.0.

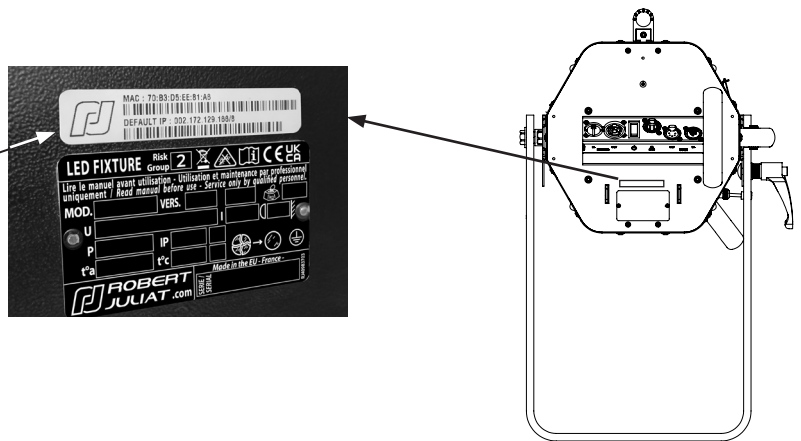
This address can be found on a label near the ID plate or by pressing the right arrow on the local control.

#### Default Settings:

DHCP = OFF

Address = 2.XXX.XXX.XXX

Mask = 255.0.0.0



#### Changing the Controlling Computer's IP Address:

- The IP address and subnet mask of both the fixture and the computer must be on the same network class.
- The computer's IP address must be different.

- Refer to your operating system's support to modify IPv4 settings:

Change your IP address on Windows

➔ <https://support.microsoft.com/en-us/windows/change-tcp-ip-settings-bd0a07af-15f5-cd6a-363f-ca2b6f391ace>

Change your IP address on Mac

➔ <https://support.apple.com/en-ae/guide/mac-help/mh14129/mac>

#### Example: Using the fixture's default IP address

1 - Computer IP address: 2.2.2.2

2 - Computer subnet mask: 255.0.0.0

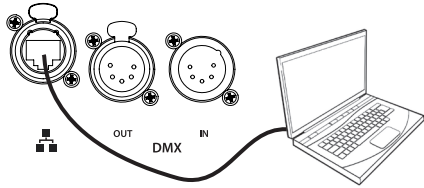
5.4.1.1 Protocol

**Artistic Licence Art-Net v4.**

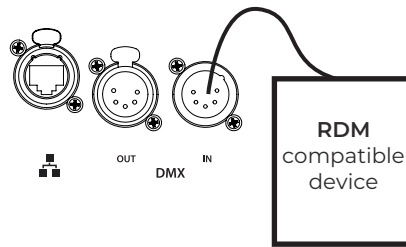
For more information about Art-Net protocol: <http://art-net.org.uk/>

5.4.1.2 Configuration

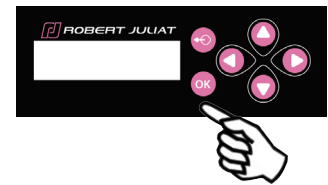
Set mode through Web interface  
(see 5.4.4 Web interface)



Set mode through RDM  
protocol



Local control

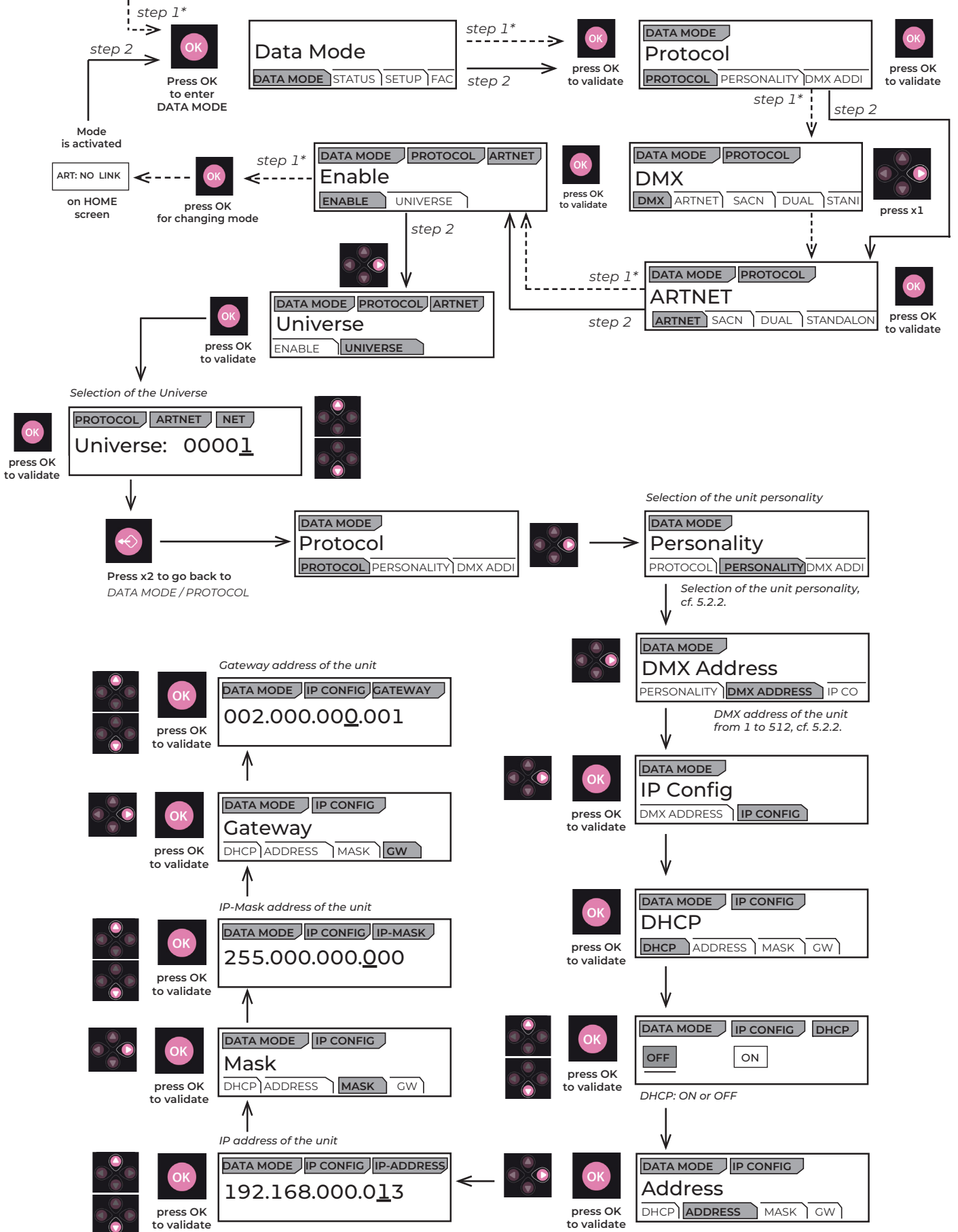


- 1 - If necessary, change IP settings
- 2 - Set Art-Net Universe
- 3 - Set DMX address
- 4 - Set personality mode (see 5.2.4. DMX chart)



**Caution:**

(\* ) Activate Art-Net in protocol mode beforehand.

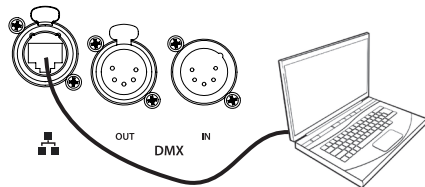


5.4.2.1 Protocol

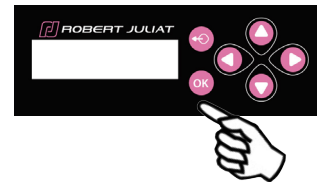
ANSI E1.31 – 2009 sACN (Streaming-ACN)

5.4.2.2 Configuration

Set mode through Web interface  
(see 5.4.4 Web interface)



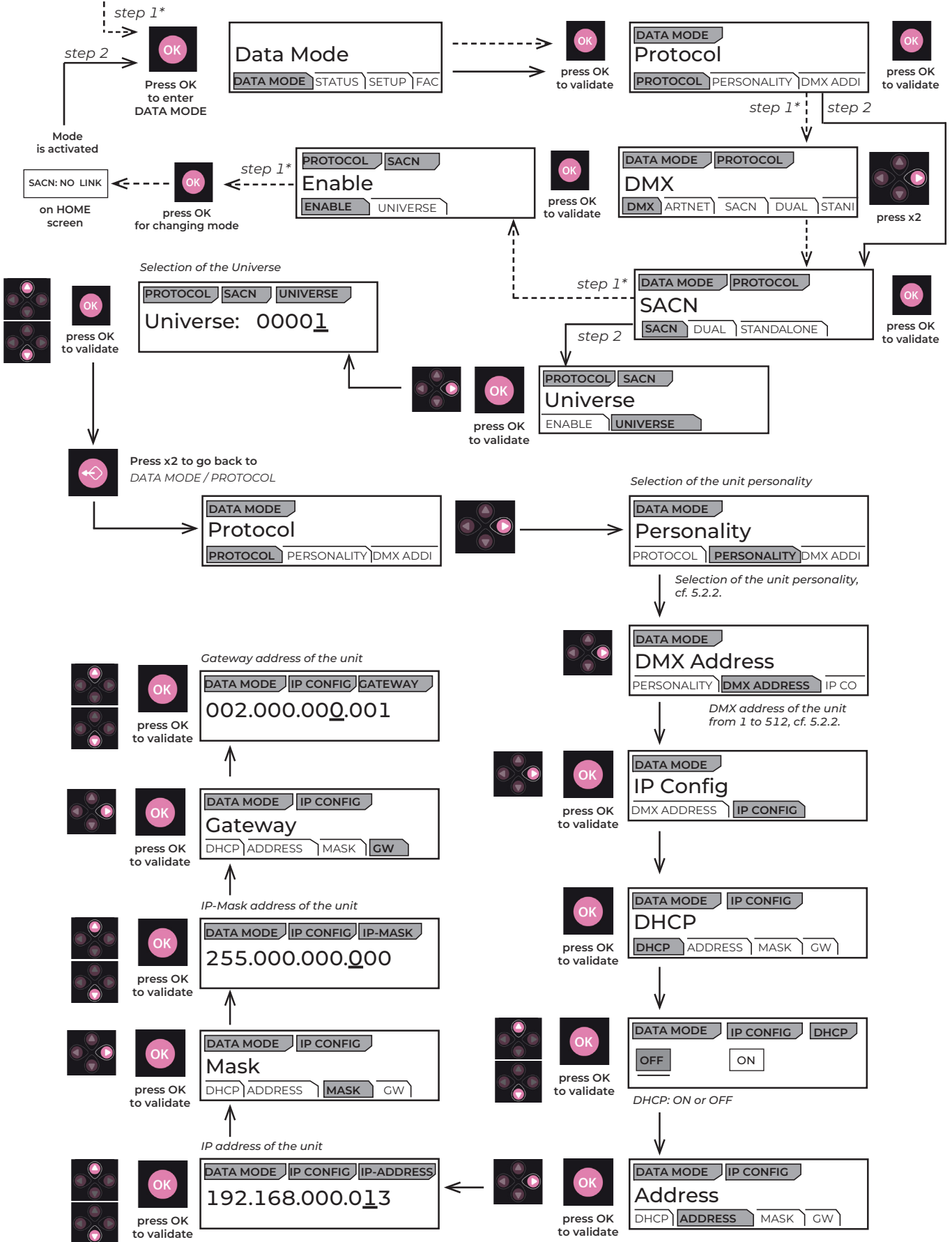
Set through local control



- 1 - If necessary, change IP settings
- 2 - Set sACN universe
- 3 - Set DMX address
- 4 - Set personality mode (see 5.2.4. DMX chart)



**Caution:**  
 (\*) Activate sACN in protocol mode beforehand.



## 5.4.3.1 Protocol

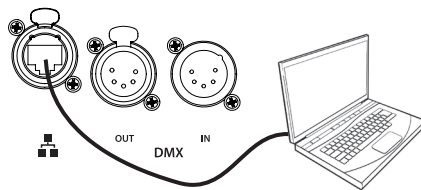
**Dual Mode: Available only on an Ethernet network**

It allows to send a DMX 512 signal through a sACN data stream and at the same time to use an Artnet/ArtRdm data stream to control, set and monitor the equipment via RDM.

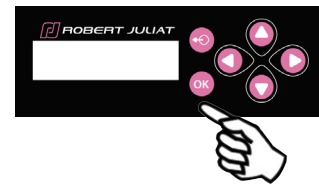
This mode can be set by Web interface or the local control screen.

## 5.4.3.2 Configuration

Set mode through Web interface  
(see 5.4.4 Web interface)



Set through local control

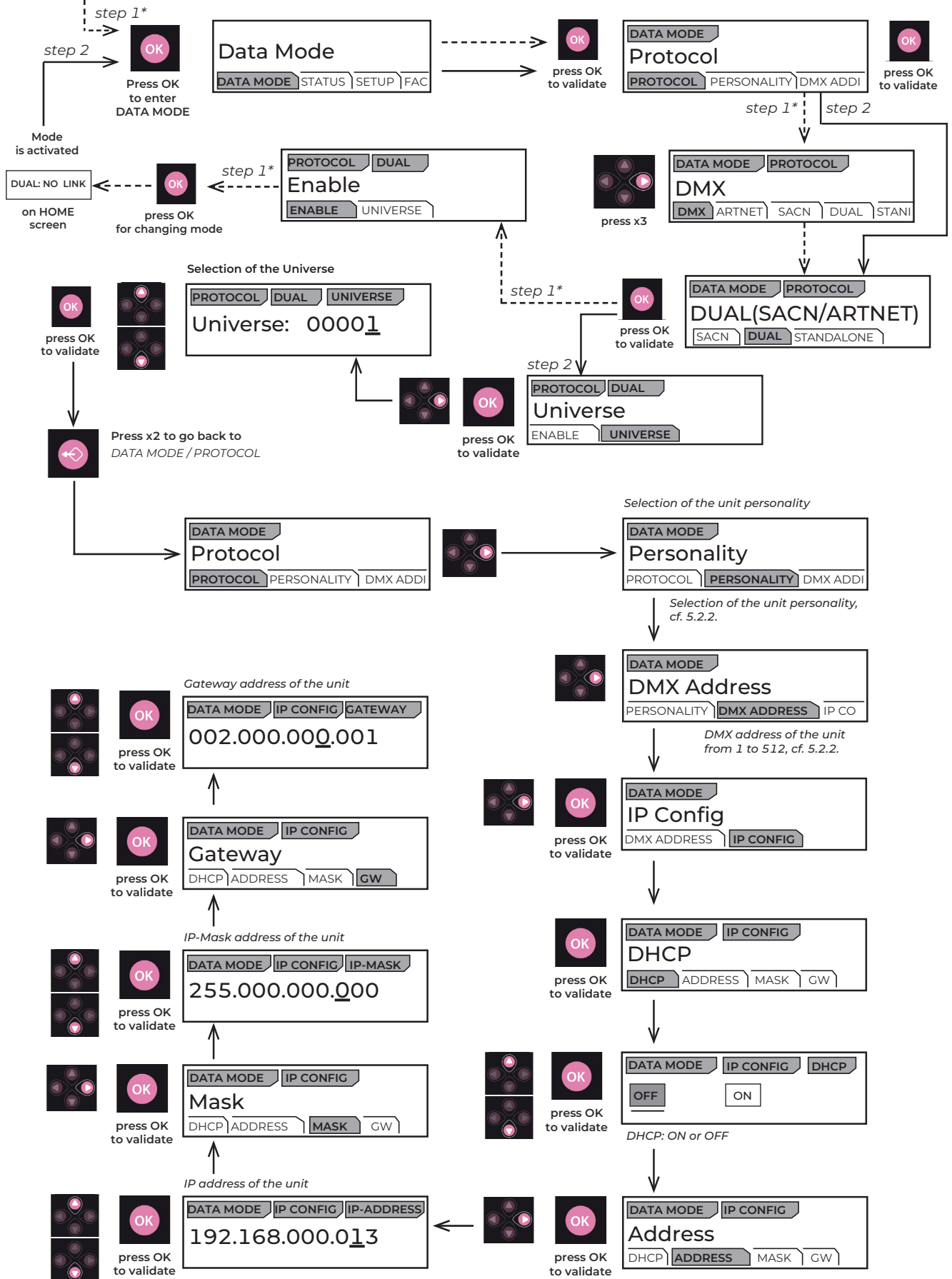


- 1 - If necessary, change IP settings
- 2 - Set DUAL universe
- 3 - Set DMX address
- 4 - Set personality mode (see 5.2.4. DMX chart)



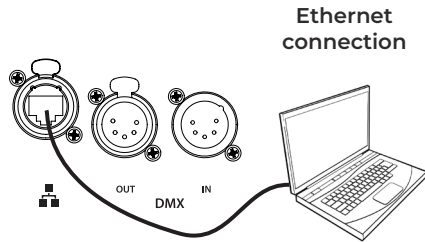
**Caution:**

(\*) Activate DUAL in protocol mode beforehand.



## 5.4.4 Web interface

### 5.4.4.1 Control

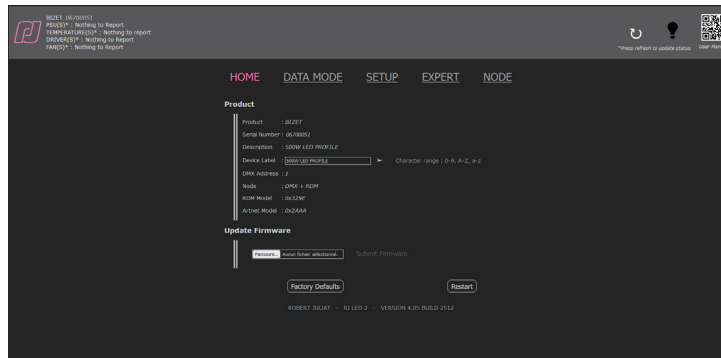


The fixture must be connected to a compatible network or directly linked to a computer with an RJ45 Ethernet cable.

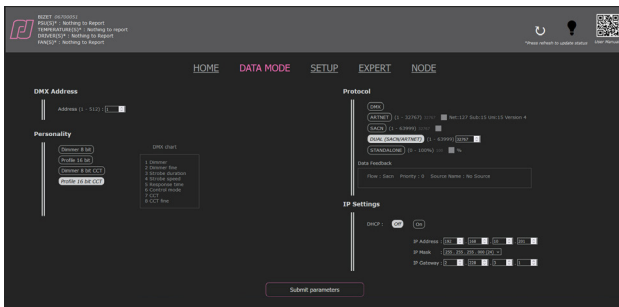
The fixture's IP address: *see section 5.4 Network*

### 5.4.4.2 Connection to the Web interface

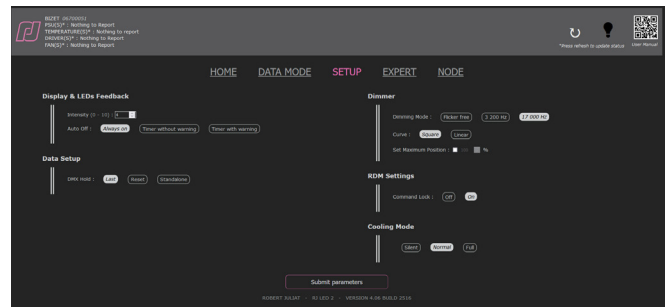
- 1 - Open a web browser (Microsoft Edge, Firefox, Apple Safari...)
- 2 - Enter the fixture's IP address in the browser's address bar
  - "00X" is read as "X".
  - Never type a zero (0) before the numbers XX or X (*see section 5.4*)
- 3 - The HOME page will appear, and all settings can now be viewed and modified.



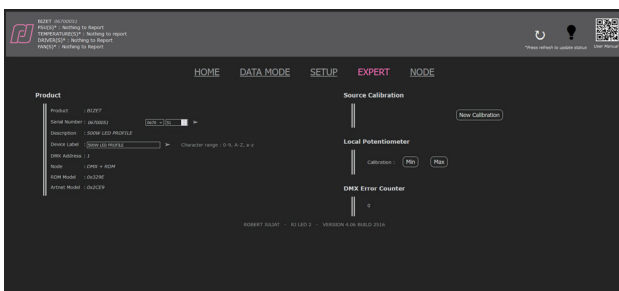
HOME Page



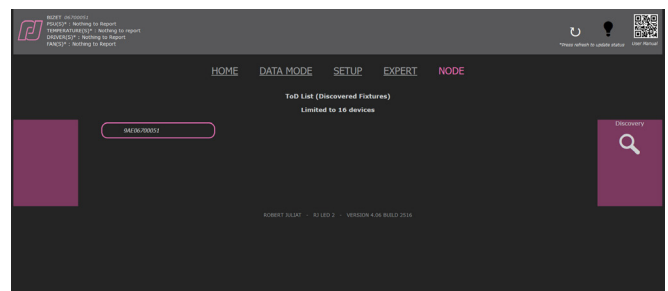
DATA MODE Page



SETUP Page



EXPERT Page, password-protected (1280).



NODE Page

UID\* list of devices detected by RDM on the DMX OUT link; the first UID is the fixture.

(\*) UID : RDM Unique Identifier

### 5.4.5 LLRP (Low-Level Reader Protocol)

LLRP is a multicast protocol that facilitates basic IP configuration. It is part of the ESTA E1.33 RDMnet standard.

LLRP can be used for the initial configuration of networked equipment. It provides a low-level mechanism for discovering and configuring the network parameters of devices, including IP settings and basic RDMnet configuration settings.

LLRP Targets expose these parameters for configuration and respond to discovery requests from LLRP Managers. Once an LLRP Manager discovers one or more LLRP Targets, it can use LLRP to send RDM commands to retrieve or modify these parameters.

### A SOLUTION FOR INCORRECT OR UNKNOWN IP CONFIGURATION

Network connectivity issues are often caused by misconfigured network addresses, with improperly configured subnet masks being the most common problem.

LLRP uses two multicast IP addresses, enabling communication even when all other network communication has failed.

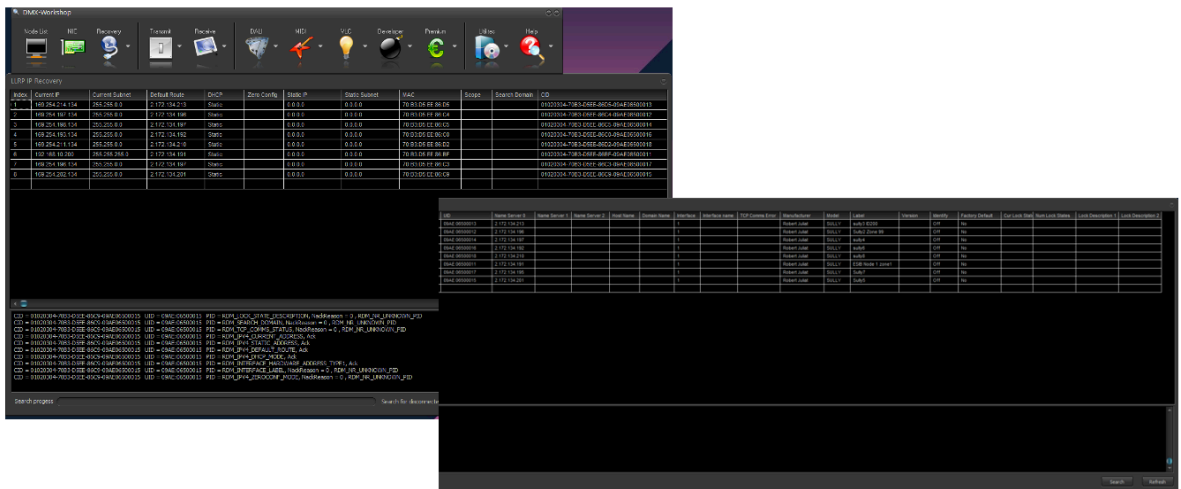
Since multicast addresses are unaffected by a misconfigured subnet mask, LLRP provides an efficient and reliable solution to recover from network misconfiguration.

In summary, LLRP simplifies the process of identifying and configuring the IP addressing of LLRP-compatible devices on your network.

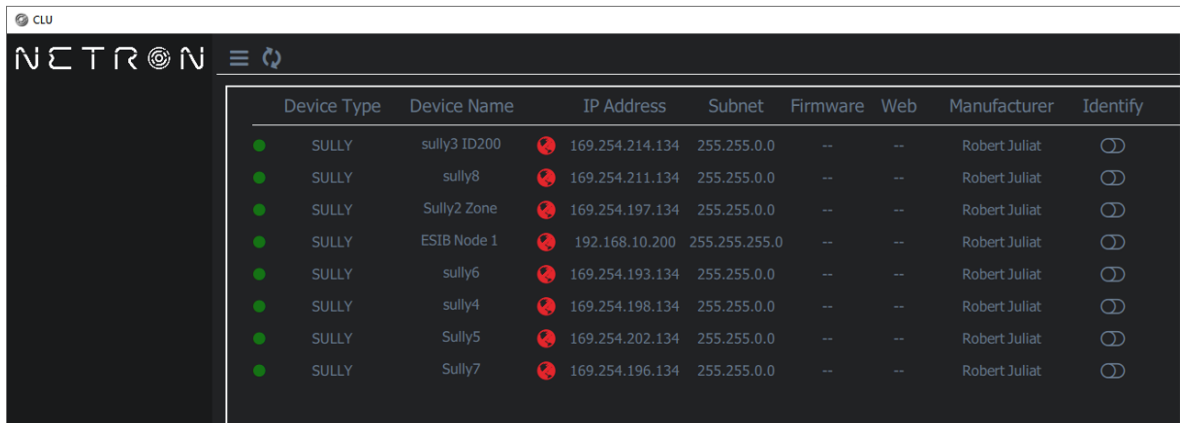
All Robert Juliat equipment based on the RJ LED2 platform includes LLRP functionality.

Two LLRP Manager software tools are available for free:

- DMXworkshop by Wayne Howell from Singularity (UK): <https://singularity-uk.com/product/dmx-workshop/>








- CLU/Netron from Obsidian : <https://obsidiancontrol.com/netron-clu>

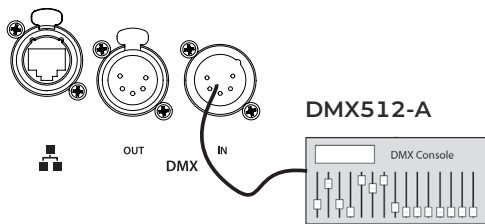


## 5.5 Fan cooling modes

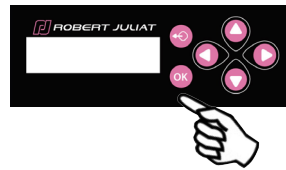
### 5.5.1 Range

Modes	Silent	Normal	Full
 <b>Cooling</b> Ambient temperature: 30°C			
 <b>Brightness</b>	85%	95%	100%

### 5.5.2 Control



Remotely by DMX512-A  
Mode 2 & 3



Locally → selection in  
SETUP / COOLING

## 6.1 Preventive maintenance

### 6.1.1 Frequency

General maintenance should be performed at least once a year or more frequently if the equipment is operated in adverse conditions (smoke, heat, humidity, touring, etc.).

### 6.1.2 General cleaning

Remove dust from the unit.

### 6.1.3 General visual check

- No trace of heat.
- No loose contacts.
- No missing parts.
- Tighten mechanical assemblies (screws, bolts and nuts, etc.).

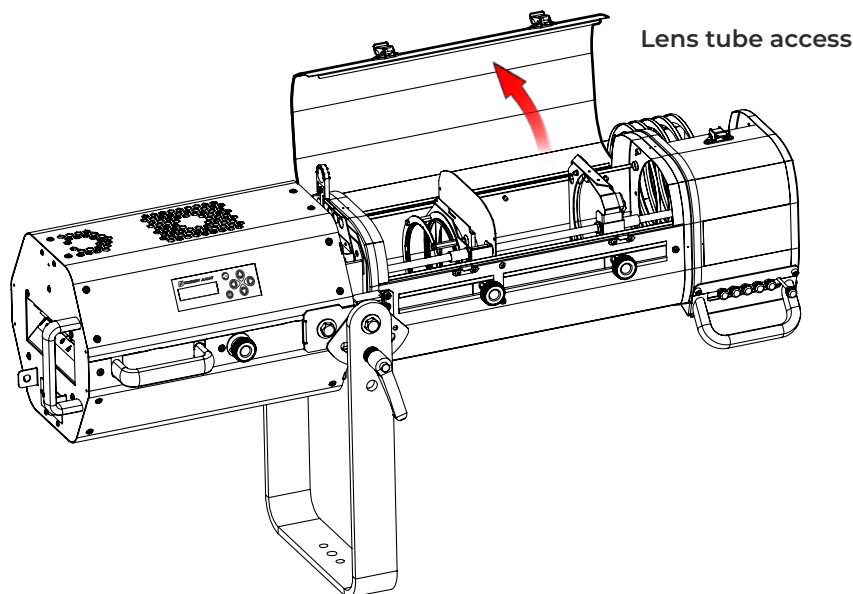
### 6.1.4 LED source



- Do not touch the surface of the LED source (no contact with your hands or any tools).
- Do not put compressed air directly on the source.
- Contact a certified RJ distributor in case of residuals or other objects located on the surface of the LED source.

### 6.1.5 Optics

Only use solutions containing alcohol to clean optical parts (lenses).



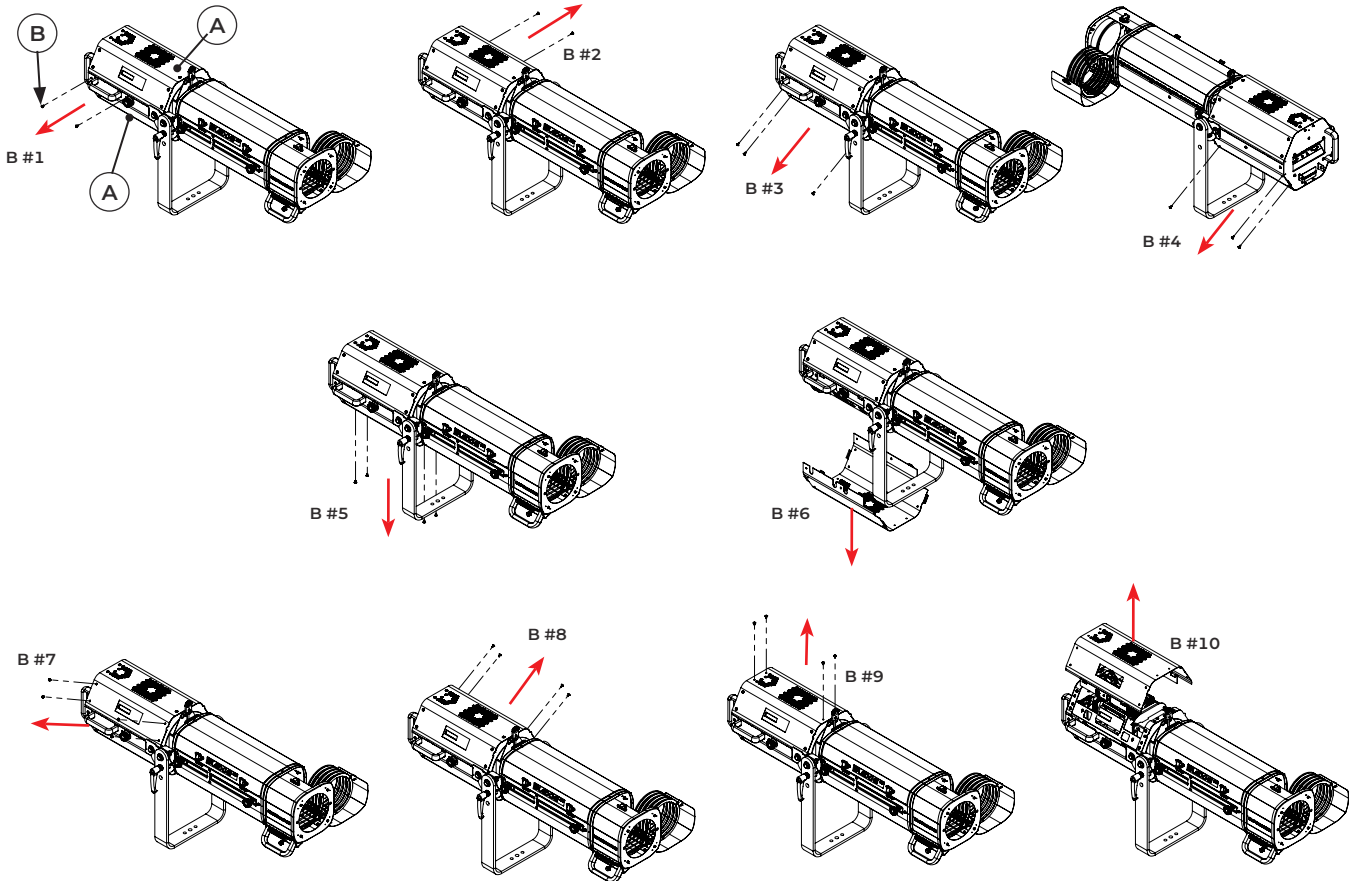
- To clean the optical parts, use a soft cloth in combination with distilled water or isopropyl alcohol recommended for coated optics. Do not use any cleaning product that contains solvents or abrasives, as these can cause surface damage.
- Dry with a soft lint-free cloth.

How to remove the Lexie lamp house for cleaning:

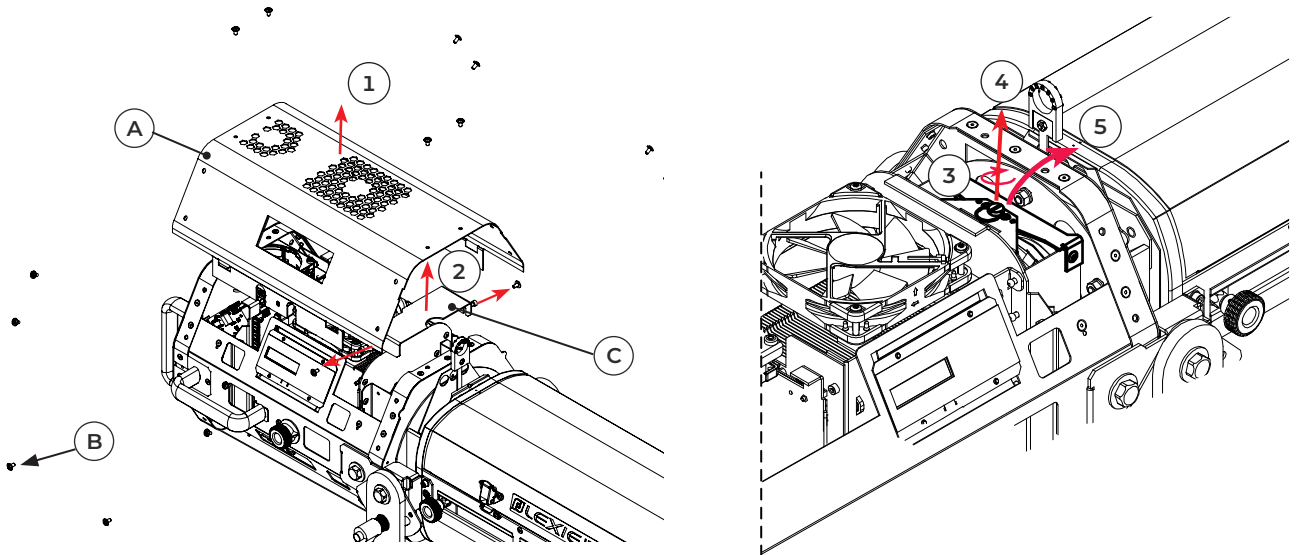


We recommend you place your luminaire on a flat clean surface.  
**Disconnect from the mains before servicing.**

- Dismantle the 2 lamp house covers (A) by removing the 28 screws in the recommended order (B) using a torx screwdriver with a TX20 bit.
- Reassemble the covers (A) by fixing the screws back into place in reverse order (B), once servicing has been completed.



- To access to the double condenser optics holder for cleaning:  
 Dismantle the top lamp house cover (A) by removing the 16 screws B #1 & #2 + B #7 to #10 using a torx screwdriver with a TX20 bit. Then remove the plate (C).





In case of problem, contact RJ distributor with the following information:

- Model, version and serial number of the product.
- From the menu status:
  - Software version
  - LED board IDs
  - Device hours
- Description of the problem.

## 6.3 Electronic thermal management system

In case of overheating, light intensity will be reduced by the system.

Power reduction and temperature values are available by using a RDM protocol compatible device.

## 6.4 Firmware update

1. Download the firmware from one of the following links:

- [www.robertjuliat.com/LED/PDF\\_PAGE](http://www.robertjuliat.com/LED/PDF_PAGE) or scan the QR code:
- [www.robertjuliat.com/followspots/Lexie](http://www.robertjuliat.com/followspots/Lexie)



2. Unzip the file. There are 4 files:

- Firmware (.upd2 format)
- Firmware history
- Update procedure
- User manual from firmware version V5.0x onwards

3. Switch on the lighting fixture.

4. Connect the fixture to the network using an RJ45 Ethernet cable from your computer.

You can either connect it to your lighting network (RJ45) or directly to your computer (RJ45).

5. Open a Web browser (Microsoft Edge, Firefox, Apple Safari, etc.).

6. Enter the fixture's IP address in the browser's address bar

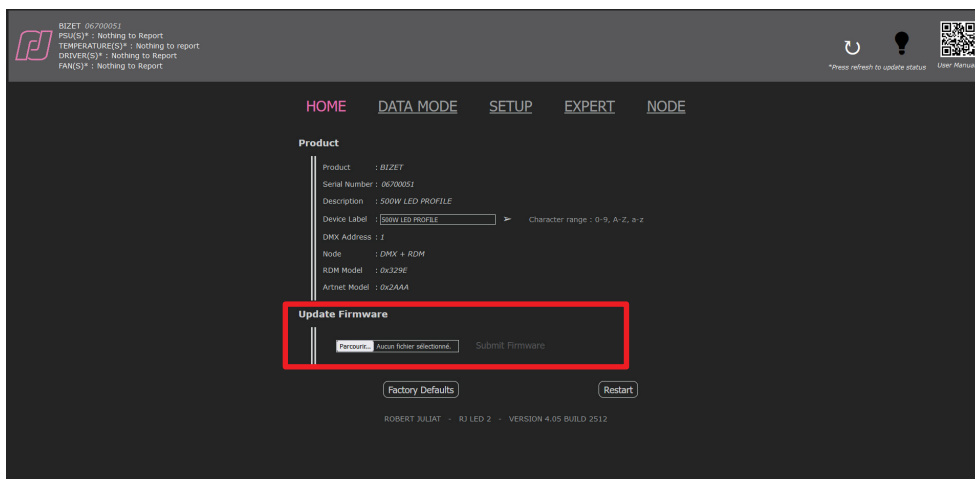


• "00X" is read as "X".

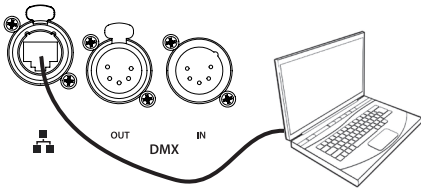
• Never type a zero (0) before the numbers XX or X (see section 5.4).

7. Upload your firmware file (.upd2).

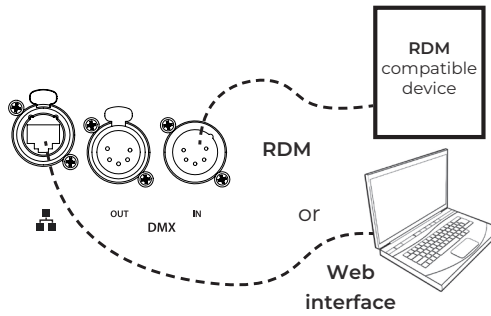
In the "Update firmware" window, select the update file and then click on "Submit firmware".



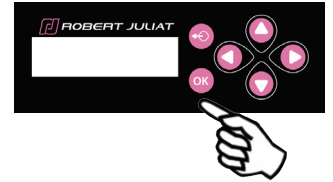
Set to factory defaults /  
reset through web interface  
(Home page)



Set to factory defaults /  
reset through RDM protocol



Set to factory defaults /  
reset through local control



Select **FACTORY DEFAULT**  
in the main menu to reset  
all values and parametres

## 6.6 Selftest

Select **SELFTEST** in the STATUS menu :



Press OK  
to start  
SELFTEST



At the end of each test, a **PASS/FAIL** message will be displayed.

If the DMX and network functions need to be tested, the system will prompt you to perform certain operations.

test report: Fail      P=Pass F=Fail

fans P	pow P	temp P	dmxi P
dmxo F	net F	drv P	

### Test Report

An "F" (FAIL) or "P" (PASS) will be displayed at the end of the self-test (SELFTEST).

If the problem persists, please take a photo of the test result and send it either to your Robert Juliat dealer or to the Robert Juliat After-Sales Service, if requested (email: [service@robertjuliat.fr](mailto:service@robertjuliat.fr))