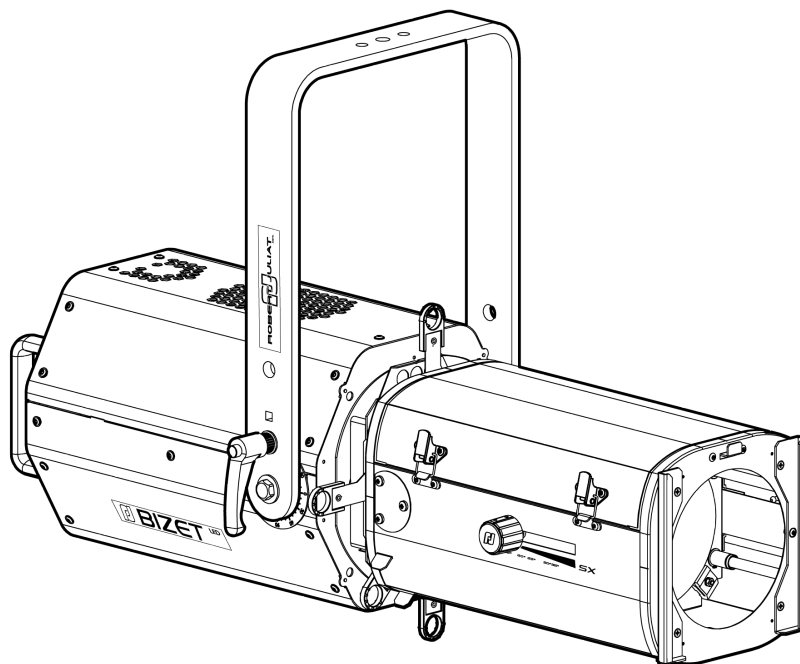


BIZET 6705X

Manual

500 & 600 W LED PROFILE SPOTS



REF	Standard	North American
28 - 54°	673SX VW / CW	673CSX VW / CW
16 - 35°	674SX VW / CW	674CSX VW / CW
11 - 26°	671SX VW / CW	671CSX VW / CW

Product
Updates:



V1

- FIRMWARE: V5.0x
- RJ-LED2 FIRMWARE PLATFORM (Node Mode) full manual is
available for download at www.robertjuliat.com/LED/PDF_PAGE

DN41242100-B (EN)

Released: 09/06/26



ROBERT JULIAT

Table of Contents

1	User's instructions	1	5	Controls and parameters	21
2	Presentation	2	5.1	Local display and controls	21
2.1	Functions	2	5.1.1	Display	21
2.2	Identification label	3	5.1.2	Home screen	21
2.3	Accessories included	3	5.1.3	Menus	22
2.4	Accessories	4	5.1.4	Parameters	23
3	Set-up	5	5.2	DMX512 - A remote control	24
3.1	Mechanics	5	5.2.1	Protocol	24
3.1.1	Operating positions	5	5.2.2	Configuration	24
3.1.2	Minimum distance between a flammable material	5	5.2.3	Parameters	25
3.1.3	Instructions for use	5	5.2.3.1	DMX Hold	25
3.1.4	Hanging	5	5.2.3.2	Fixture ID	25
3.1.5	Safety cable	6	5.2.3.3	Terminator	25
3.2	Electrical information	6	5.2.3.4	Node	25
3.2.1	LED source	6	5.2.4	DMX chart	26
3.2.2	Power supply	6	5.2.4.1	Variable White version (VW)	26
3.3	DATA	7	5.2.4.2	Cool White version (CW)	26
3.3.1	DMX 512-A / RDM	7	5.2.5	DMX ranges	26
3.3.2	Art-Net / sACN / DUAL	8	5.2.5.1	Strobe duration	26
3.3.3	Ethernet / DMX node / DUAL	8	5.2.5.2	Strobe speed	26
3.4	Accessories	9	5.2.5.3	Response time	26
3.4.1	Front filter holder	9	5.2.5.4	Control mode*	27
3.4.2	Internal filter holder	9	5.2.6	RDM remote control	28
3.4.3	Gobo holder / Iris	10	5.2.6.1	Protocol	28
3.4.4	Optical filter	10	5.2.6.2	Functions	28
3.4.5	Shutters	11	5.3	Home values & Standalone	30
4	Operations	12	5.4	Network	30
4.1	Light intensity	12	5.4.1	Art-Net remote control	32
4.1.1	Range	12	5.4.1.1	Protocol	32
4.1.2	Control	12	5.4.1.2	Configuration	32
4.1.3	Parameters	12	5.4.1.3	Local set-up	33
4.1.3.1	Dimming resolution - DMX only	12	5.4.2	sACN remote control	34
4.1.3.2	Dimming curve	12	5.4.2.1	Protocol	34
4.1.3.3	Set maximum position	13	5.4.2.2	Configuration	34
4.1.3.4	Dimming mode	13	5.4.2.3	Local set-up	35
4.2	Strobe	14	5.4.3	Dual remote control	36
4.2.1	Range	14	5.4.3.1	Protocol	36
4.2.2	Control	14	5.4.3.2	Configuration	36
4.3	CCT adjustment (only for Variable White version)	14	5.4.3.3	Local set-up	37
4.3.1	Range	14	5.4.4	Web interface	38
4.3.2	Control	14	5.4.4.1	Control	38
4.3.3	Parameters	15	5.4.4.2	Connection to the Web interface	38
4.4	Response time	15	5.4.5	LLRP (Low-Level Reader Protocol)	39
4.4.1	Range	15	5.5	Fan cooling modes	40
4.4.2	Control	15	5.5.1	Range	40
4.5	Beam size adjustment	16	5.5.2	Control	40
4.5.1	Range	16	6	Service	41
4.5.2	Control	16	6.1	Preventive maintenance	41
4.6	Orientation	16	6.1.1	Frequency	41
4.6.1	Range	16	6.1.2	General cleaning	41
4.6.2	Control	17	6.1.3	General visual check	41
4.7	Colour	17	6.1.4	LED source	41
4.8	Beam shaping	18	6.1.5	Optics	41
4.8.1	Range	18	6.1.6	Lamp house cleaning	42
4.8.2	Control	18	6.2	Analysis	43
4.9	Beam rotation	19	6.3	Electronic thermal management system	43
4.9.1	Range	19	6.4	Firmware update	43
4.9.2	Control	19	6.5	Factory defaults	44
4.10	Gobo / Optical filter	20	6.6	Selftest	44

GENERAL INSTRUCTIONS

1. Not for residential use.
2. These fixtures must only be serviced by a qualified technician.
3. In addition to the instructions indicated on this page, relevant health and safety requirements of the appropriate EU Directives must be adhered to at all times.
4. This fixture is in compliance with section 17 - Lighting appliance for theatre stages, television, cinema and photograph studios.
Standards NF EN 60598-1, NF EN 60598-2-17, Low Voltage Directive 2014/35/UE & EMC Directive 2014/30/UE.
5. This fixture is rated as IP20, and is for indoor use only.

FIXTURE

6. Ensure fixture is correctly mounted on an appropriate support.
7. Protection screens and lenses must be replaced in the event of any damage, such as cracks or deep scratches, since these might reduce performance.
8. When hung or flown the fixture must be secured by an additional hanging accessory (such as a safety cable or bond) of suitable length.
9. Safety bonds or cables must be securely attached to the back of the fixture and be as short as possible, or rolled up as necessary, to minimise travel distance should the fixture be dislodged.
10. Movable accessories (scroller, etc.) must also be secured with a suitable safety cable or bond at the front of the fixture.
11. The combined weight of both the fixture and the accessories must be considered when choosing the load-bearing capability of safety cable or bond.
12. Do not open lighting fixture when the source is on.
13. WARNING: LED source becomes hot during use. Allow fixture to cool before servicing.
14. Do not tamper with design of fixture nor any of its safety features.
15. Tighten electrical mains cable connections regularly and replace with one of identical specification if damaged.
16. Use only with correct power supply.

VENTILATION

17. Keep well away from flammable material.
18. Not for outdoor use. Do not cover. Do not permit fixture to get wet.
19. To avoid overheating, do not obstruct air vents.
20. Ensure any cooling fans are in correct working order. If fans are not working, turn fixture off immediately and service as necessary.

CLEANING

21. Do not touch the LED source with your fingers.
22. To clean the optical parts, use a soft cloth in combination with distilled water or isopropyl alcohol recommended for coated optics. Do not use any cleaning product that contains solvents or abrasives, as these can cause surface damage.
Dry with a soft lint-free cloth.
23. Regularly remove dust with a soft lint-free cloth.
24. If the fixture has filters, they must be cleaned frequently.


POWER SUPPLY

25. Disconnect from the mains before servicing.
26. Mains connection only. Do not connect to "electronic output" such as dimmer.
27. Ensure power supply circuit breakers, always remain accessible.

PLEASE NOTE

This product has been built to conform to European standards relating to professional lighting equipment. Any modification made to our products will void the manufacturers' warranty.

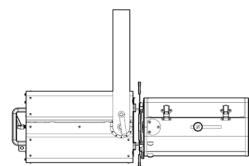
Risk group 2



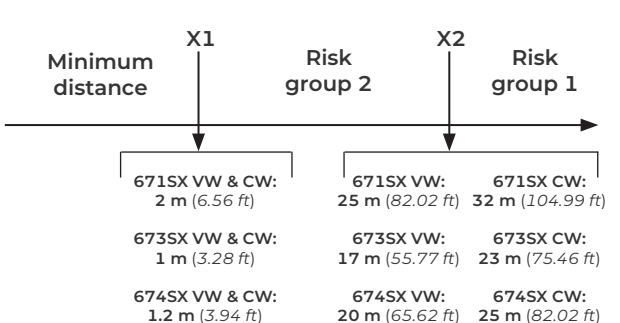
CAUTION: Possibly hazardous optical radiation emitted from this product. Do not stare at operating lamp. Maybe harmful to the eye.

Risk group 2. Luminaires should be positioned so that prolonged staring into luminaire at a distance closer than 25 m (671SX VW), 17 m (673SX VW) & 20 m (674SX VW) is not expected.

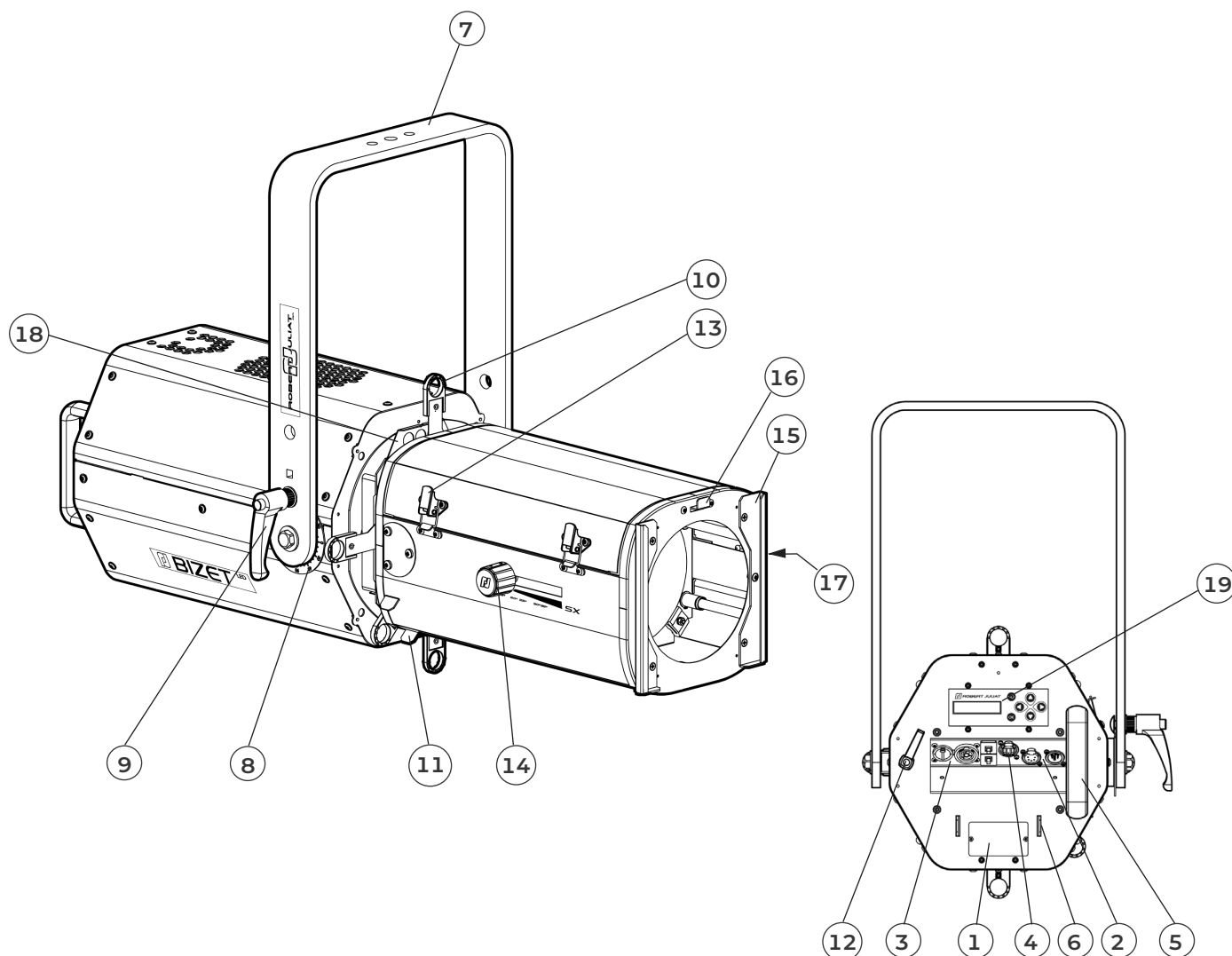
Risk group 2. Luminaires should be positioned so that prolonged staring into luminaire at a distance closer than 32 m (671SX CW), 23 m (673SX CW) & 25 m (674SX CW) is not expected.



Photobiological safety according to EN62471



2.1 Functions



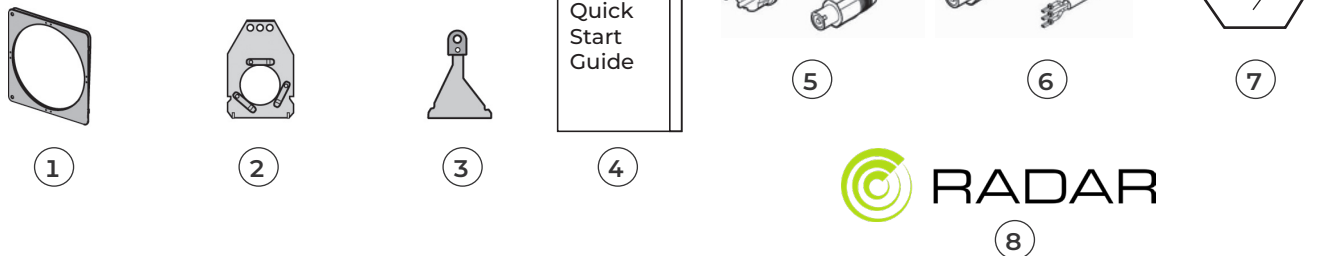
Description

- | | |
|----------------------------------|---|
| 1. Identification plate | 11. Shutter locking system |
| 2. Data connector (IN and OUT) | 12. Lens tube rotation locking button |
| 3. Power connector (IN and OUT) | 13. Lens tube access |
| 4. RJ45 network connector | 14. Zoom adjustment |
| 5. Handle | 15. Front slot for accessories and gel frame holder |
| 6. Safety cable attachment point | 16. Front slot locking system |
| 7. Hanging yoke | 17. Focus adjustment |
| 8. Tilt index | 18. Gobo holder |
| 9. Tilt locking handle | 19. Local display and controls |
| 10. Shutters | |

2.2 Identification label

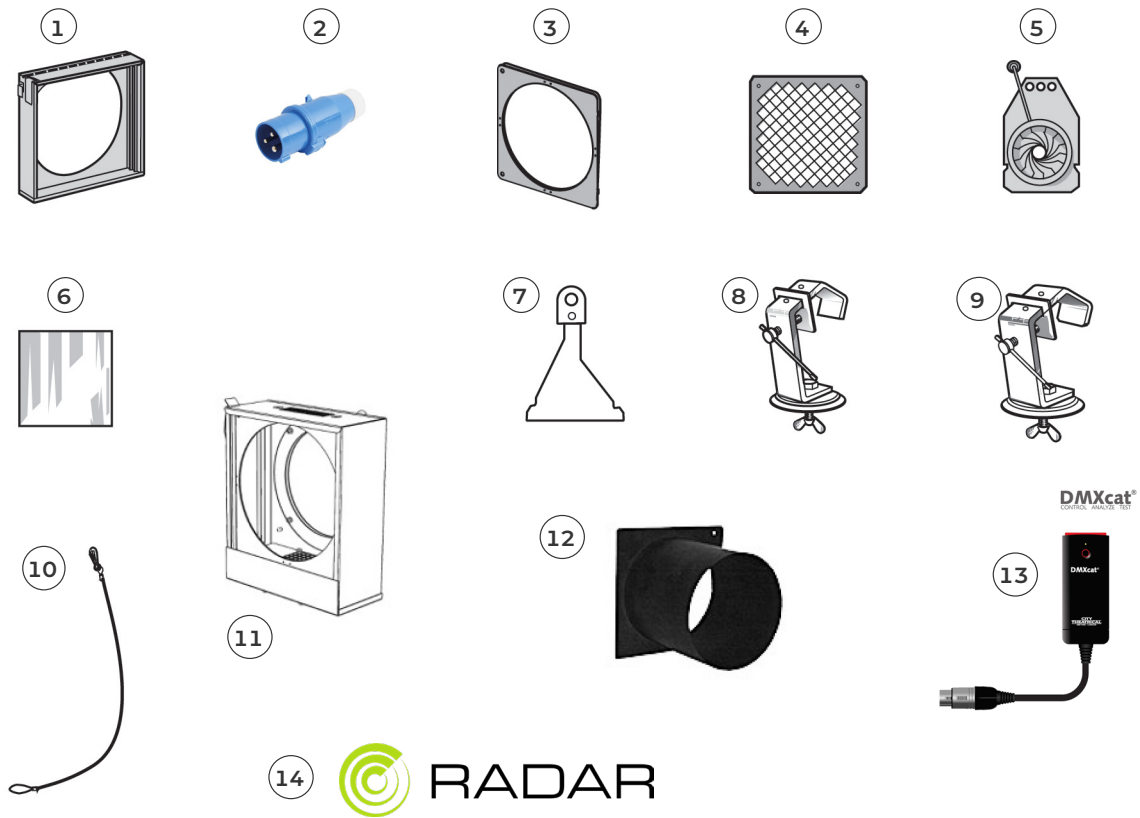
Description	
	<ol style="list-style-type: none"> 1. MOD.: Model 2. VERS.: Version 3. U : Nominal voltage input (V) 4. I : Nominal intensity (A) 5. P : Maximum power input (W) 6. IP : International Protection Rating 7. t^a : Maximum ambient temperature (°C) 8. t^c : Maximum external temperature of the unit (°C) 9. Net weight (kg) 10. Minimum distance between a flammable material and the lighting unit (m) 11. Colour temperature version 12. Serial number 13. Replace broken glass 14. Class 1 product label 15. Read manual first label 16. European conformity label 17. WEEE directive label 18. CEI-TR-62778 - Do not stare at light source 19. EN62471 - Risk group 20. UKCA (UK Conformity Assessed) label
<p>Units:</p> <ul style="list-style-type: none"> - Weight = kilogram (kg). - Intensity = Ampere (A). - Voltage = Volt (V). - Frequency = Hertz (Hz). - Temperature = degree Celsius (°C). 	

2.3 Accessories included



Reference	Description
1	PF500M2 180 x 180 mm (7.1 x 7.1 in) metal filter holder
2	SGUX Universal A-size gobo holder (metal, glass, frosted glass)
3	D8 Shutters (x4)
4	DN41242300 Quick Start manual
5	CAL03 3 meter power cable (3G1,5 HO7RNF) with Neutrik PowerCon® True1 TOP and CEE 7/7 (2P+T NF/SCHUKO) connectors (standard version)
6	CAL04 1,50m power cable UL/CSA with Neutrik PowerCon® True1 TOP connector (North American version)
7	FO100-10 Optical filter
8	Fusion/RJ Madrix Radar (RDM monitoring): Fusion RJ licence - access to all RDM parameters of RJ fixtures

MADRIX RADAR – more information: www.robertyuliat.com/RDM-Tools/Madrix_Radar



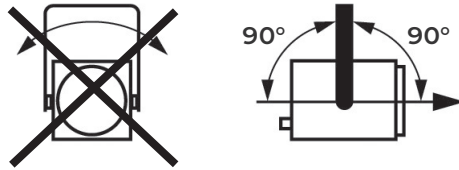
	Reference	Description
1	CAV 600A	Double slot front cassette for 180 x 180 mm accessories
	CAV 600AE	Double slot front cassette for 185 x 185 mm accessories
2	PCP1716A	16A blue 2P+E 6h IEC60309 power connector
3	PF600M2	185 x 185 mm (7.28 x 7.28 in) metal filter holder
4	G500	180 x 180 mm safety grid
5	IWSX755	Drop-in iris (monoplane) with holder
6	VD 120	120x120mm frosted glass
	FO120C-1	120x120mm 1° frost optical filter
	FO120C-10	120x120mm 10° frost optical filter
	FO120C-2	120x120mm 2° frost optical filter
	FO120C-5	120x120mm 5° frost optical filter
7	D8	Shutter
8	876	Hook clamp 40 x 10 mm with 28 mm M10 screw for Ø35 to Ø50 mm pipes
9	880	Hook clamp 40 x 10 mm with 28 mm M10 screw for Ø50 to Ø63 mm pipes
10	CS2	Safety cable Ø3 mm (length = 600 mm)
11	RPF613	180 x 180 mm front extension cassette for 215 x 215 mm accessories without fan (recommended for dark colours on 613SX/663SX)
	RPF613E	180 x 180 mm front extension cassette for 245 x 245 mm accessories without fan (recommended for dark colours on 613SX/663SX)
12	TH600	180 x 180 mm "Top hat" (without safety cable)
13	DMXcat	Bluetooth DMX/RDM Multifunction test tool - City Theatrical DMXcat®
14	Fusion/S	Madrix Radar (RDM monitoring): Fusion Small licence - up to 64 non-RJ RDM fixtures - USB dongle included
	Fusion/M	Madrix Radar (RDM monitoring): Fusion Medium licence - up to 512 non-RJ RDM fixtures - USB dongle included
	Fusion/L	Madrix Radar (RDM monitoring): Fusion Large licence - up to 4096 non-RJ RDM fixtures - USB dongle included

MADRIX RADAR – more information: www.robertjuliati.com/RDM-Tools/Madrix_Radar

3 Set-up

3.1 Mechanics

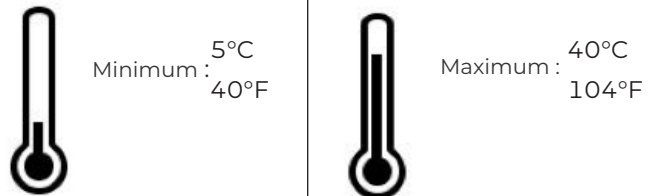
3.1.1 Operating positions



3.1.2 Minimum distance between a flammable material and the lighting unit



3.1.3 Instructions for use



IP20 - Indoor use only

3.1.4 Hanging

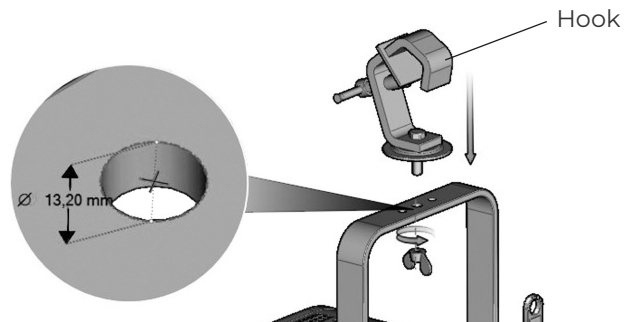
- Ensure fixture is correctly mounted on an appropriate support

Net weight:

673SX / CSX = 19.2 kg (42.2 lbs)

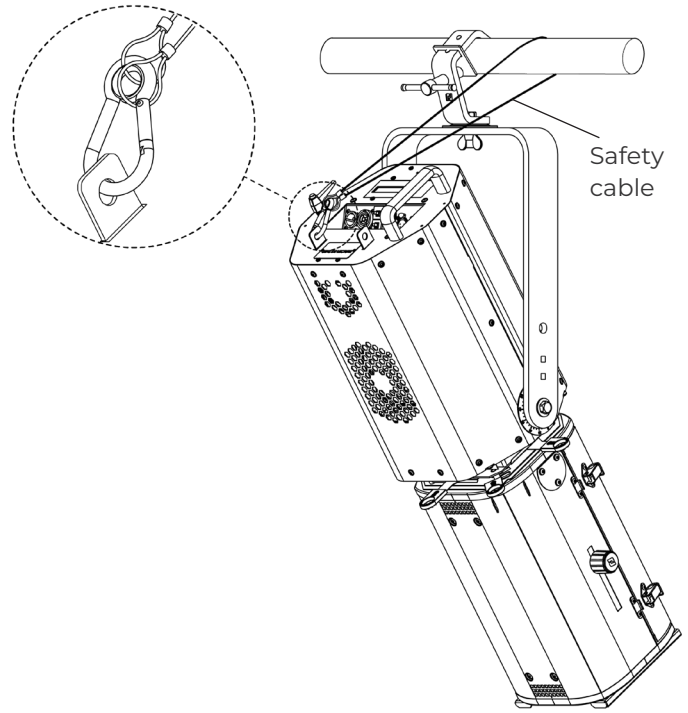
674SX / CSX = 20.8 kg (45.8 lbs)

671SX / CSX = 21 kg (46.2 lbs)



3.1.5 Safety cable

- When hung or flown the fixture must be secured by an additional hanging accessory (such as a safety bond or cable) of suitable length.
- The combined weight of both the fixture and the accessories must be considered when choosing the load-bearing capability of safety cable or bond.
- Safety cables or bonds must be securely attached to the back of the fixture and be as short as possible, or rolled up as necessary, to minimise travel distance should the fixture be dislodged.



3.2 Electrical information

3.2.1 LED source



Never touch or scratch the LED surface.
See 6.1.4 LED cleaning procedure if cleaning is necessary.

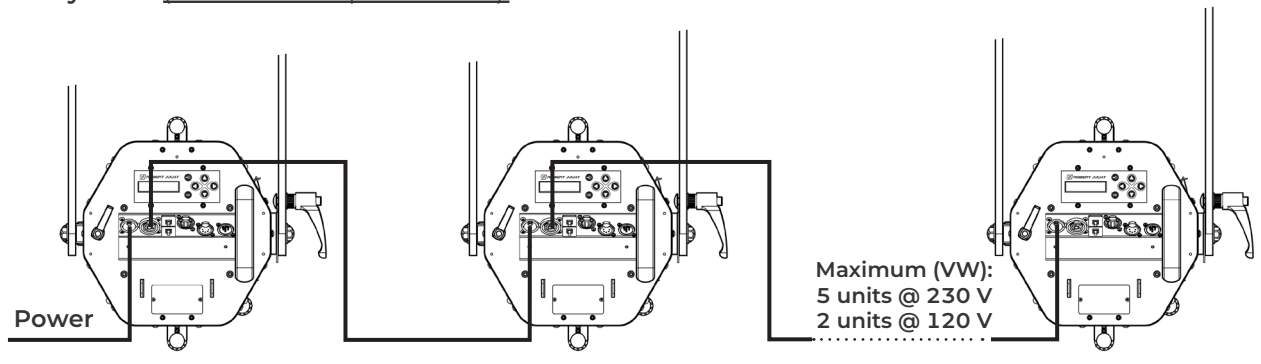
3.2.2 Power supply

Power supply				
Voltage	Frequency	Input power (VW)	Input power (CW)	Connectors
VW: 90 → 277 V CW: 190 → 277 V	47-63 Hz	2.72 A / 591 W @ 230 V 5.60 A / 606 W @ 110 V 6.19 A / 610 W @ 100 V Max: 7 A Standby mode: 9.2 W	3.22 A / 705 W @ 230 V 3.04 A / 704 W @ 245 V 3.53 A / 704 W @ 208 V Max: 3.83 A Standby mode: 8.2 W	Neutrik powerCON TRUE1 TOP Input : ref. NAC3FPX-TOP



- Class 1 product. **This luminaire must be earthed.**
- Must be connected directly to AC power. **Do not connect to dimmer power.**
- Automatic mains voltage detection.

Daisy chain (with delivered power cable):



Power cable

Power cable		Connector	Mains plug	Cable type	Cable length	Wiring
1	Standard version	Neutrik® powerCON TRUE1 TOP NAC3FX-W-TOP	CEE7/7	3G1.5 H07RNF	3 m 9.8 ft	Live: Brown Neutral: Blue Ground: Yellow/Green
2	North American version		-	14AWG SJ TYPE (UL/CSA)	1.5 m 4.9 ft	Live: Black Neutral: White Ground: Green

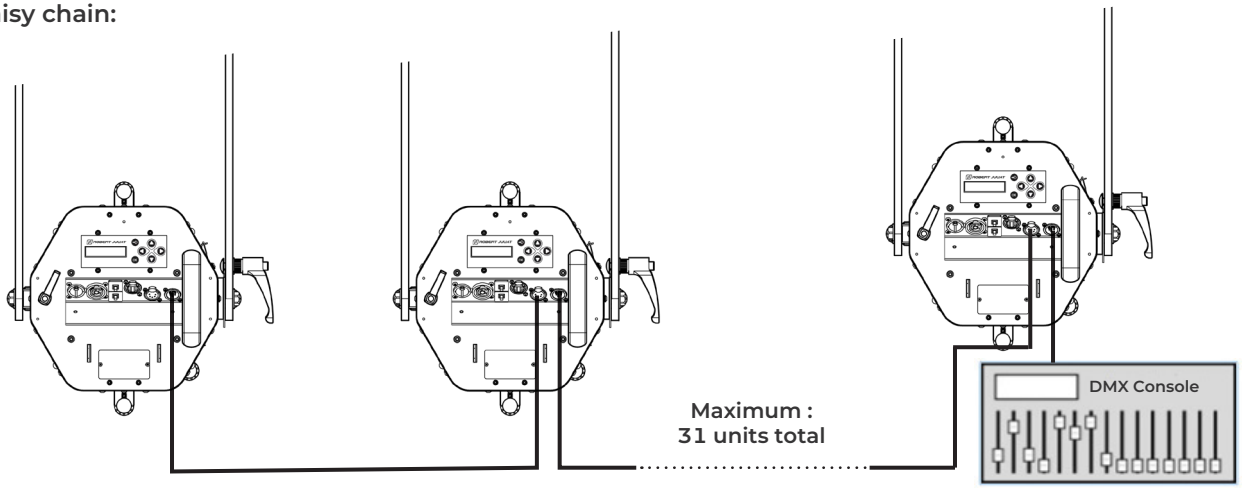
3.3 DATA

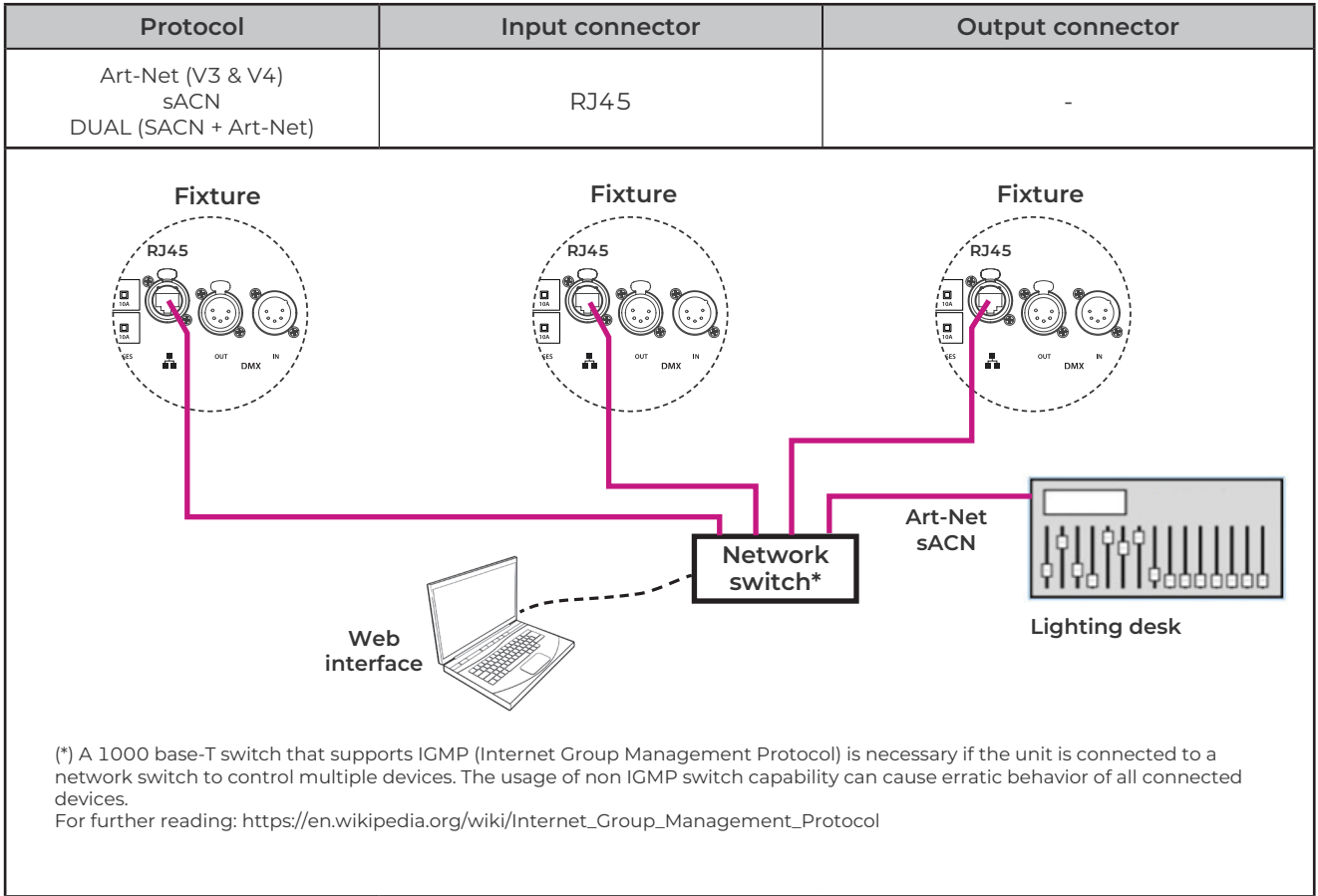
3.3.1 DMX 512-A / RDM

Protocol	Input connector	Output connector
USITT DMX 512-A RDM	XLR 5-pin	XLR 5-pin

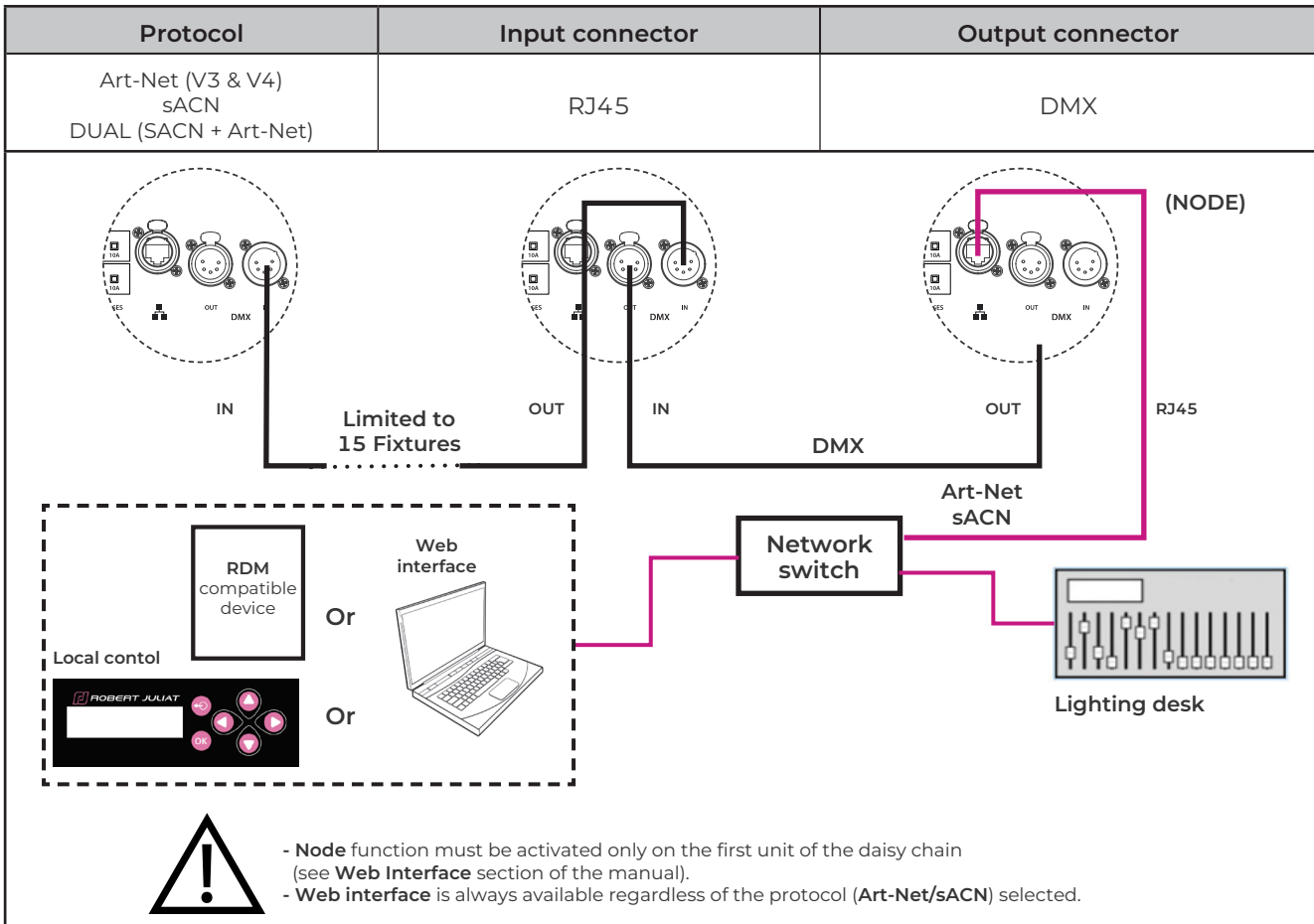
DATA connectors			
PIN #	DMX	Description	
1	Shielding	Foil & Braided Shield	
2	DMX (-)	1st conductor of 1st twisted pair	
3	DMX (+)	2nd conductor of 1st twisted pair	
4	Not used	1st conductor of 2nd twisted pair	
5	Not used	2nd conductor of 2nd twisted pair	

Daisy chain:





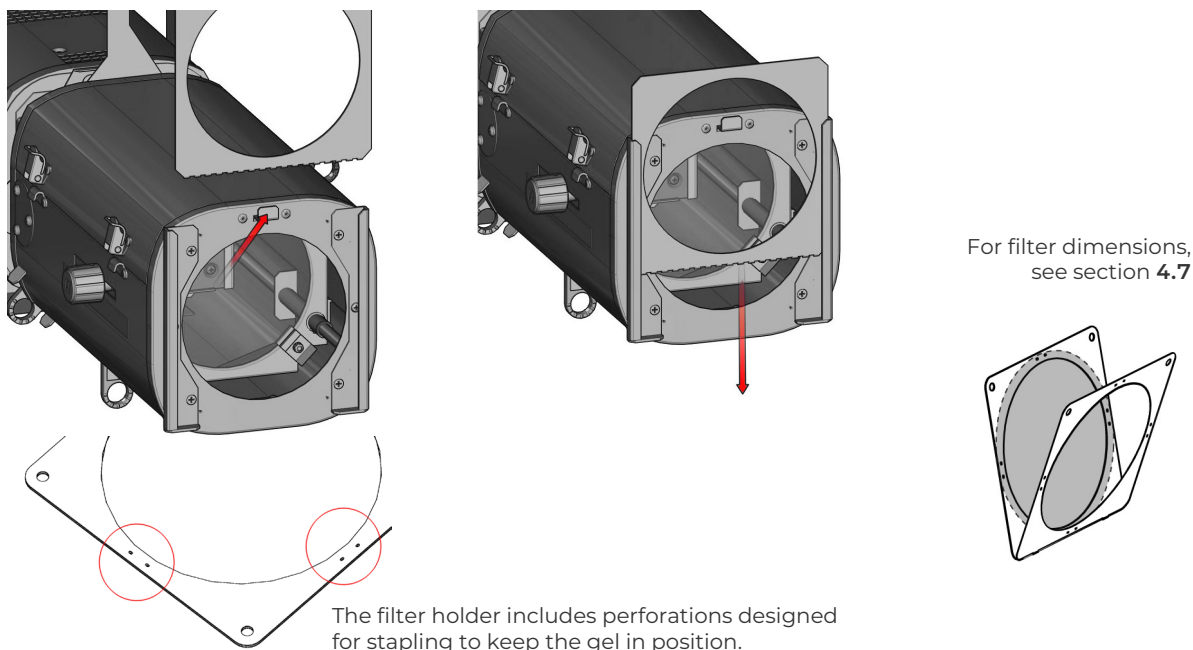
3.3.3 Ethernet / DMX node / DUAL



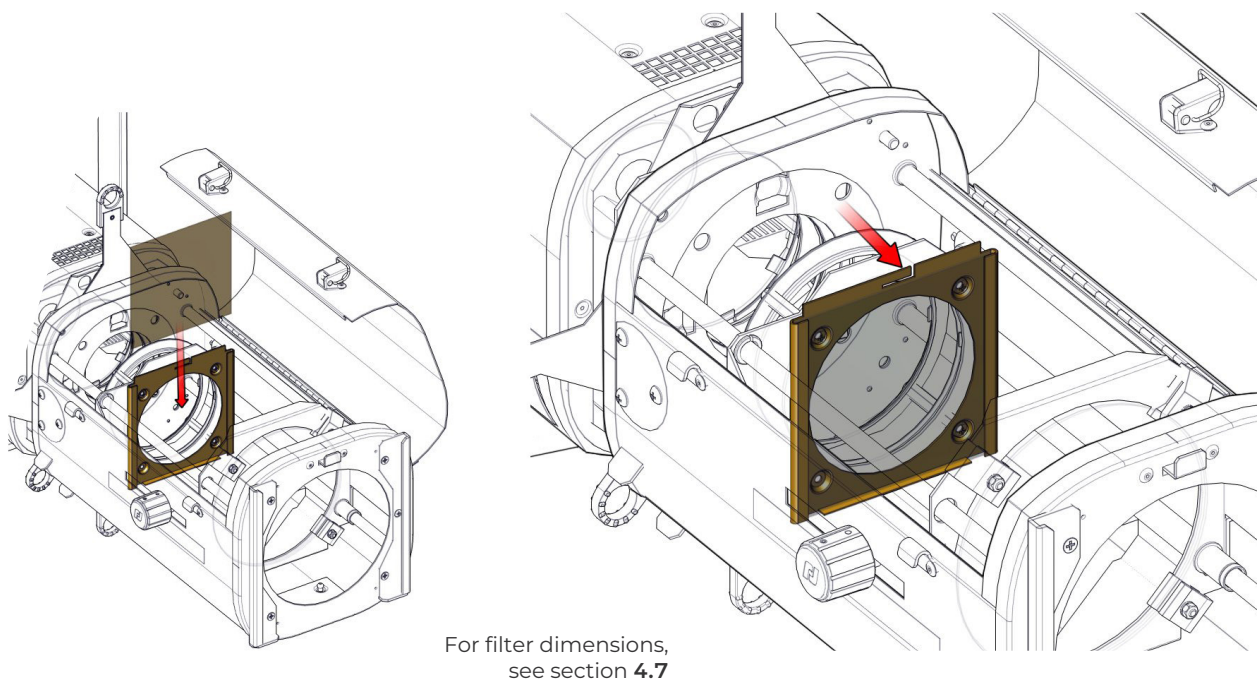
RJ-LED2 FIRMWARE PLATFORM (Node Mode) full manual is available for download at www.robertjuliat.com/LED/PDF_PAGE

3.4 Accessories

3.4.1 Front filter holder

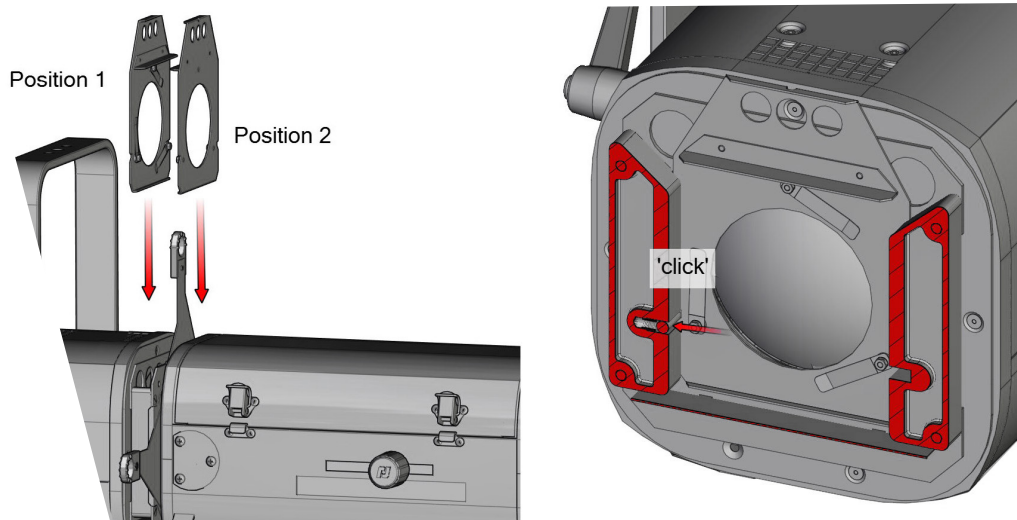


3.4.2 Internal filter holder



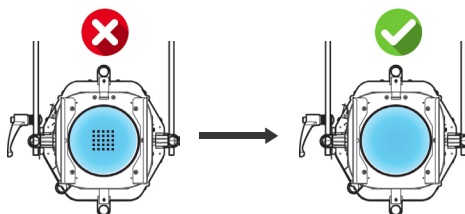
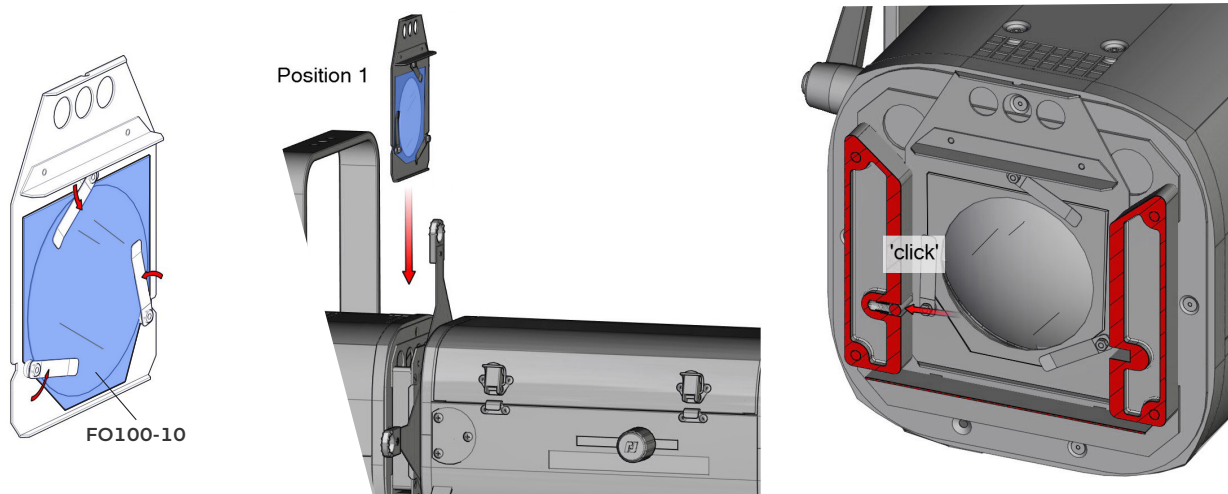
3.4.3 Gobo holder / Iris

For gobo dimensions, see section 4.10

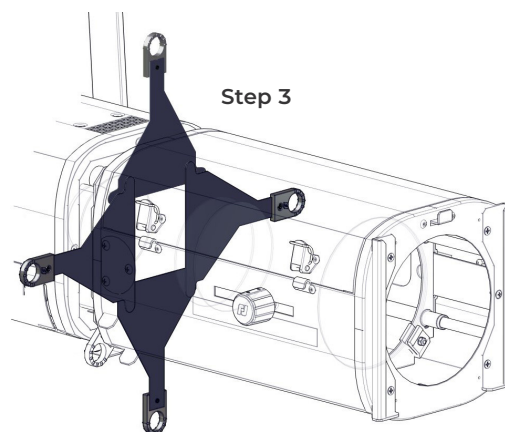
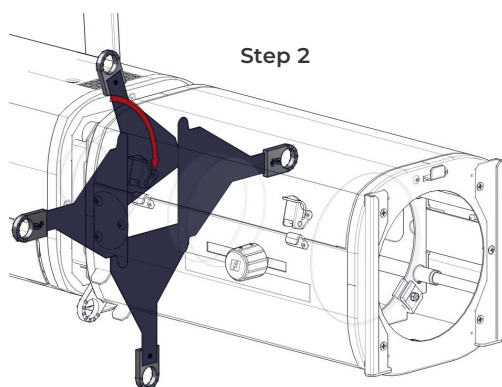
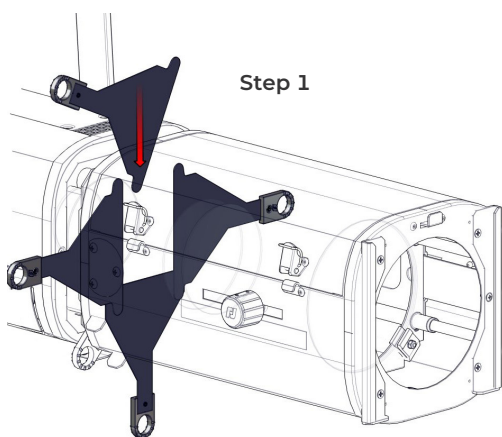


3.4.4 Optical filter

For filter dimension, see section 4.10



3.4.5 Shutters

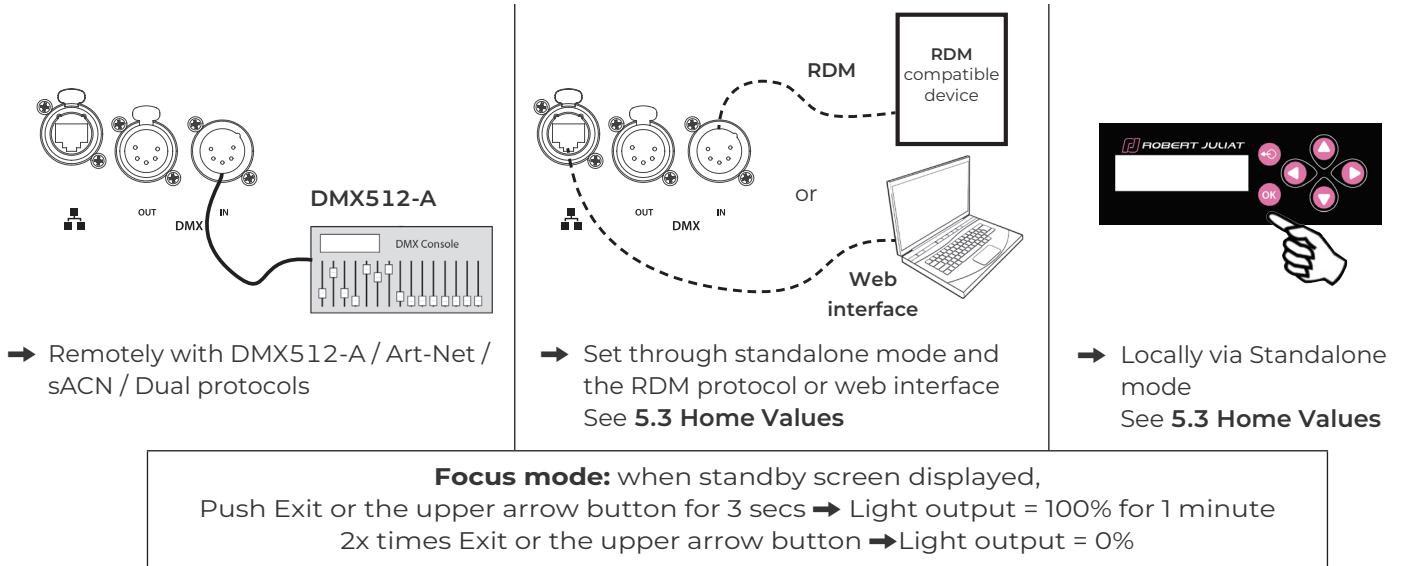


4.1 Light intensity

4.1.1 Range



4.1.2 Control



4.1.3 Parameters

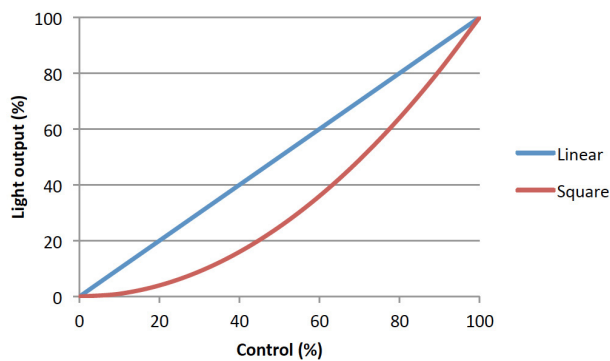
4.1.3.1 Dimming resolution - DMX only

→ Set through RDM protocol, web interface or local control

Resolution	DMX mode (VW)	DMX mode (CW)
8 bits – 255 steps	1 - 3	1
16 bits – 65 535 steps	2 - 4	2

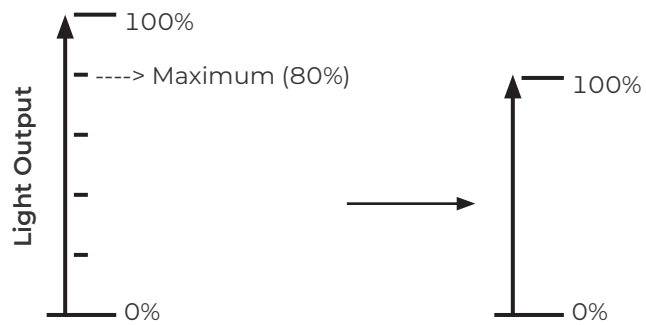
4.1.3.2 Dimming curve

→ Set through RDM protocol, web interface or local control



4.1.3.3 Set maximum position

→ Set through RDM protocol, web interface or local control



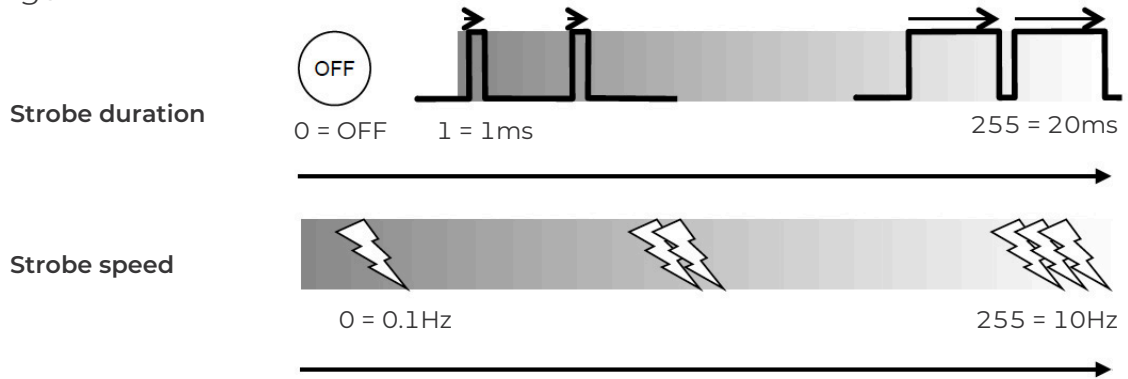
4.1.3.4 Dimming mode

→ Set through RDM protocol, web interface or local control

Mode	Result
Without PWM	Flicker-Free, perfect for filming
PWM 17 kHz	Good dimming quality (Default Value)
PWM 3,2 kHz	Very good dimming

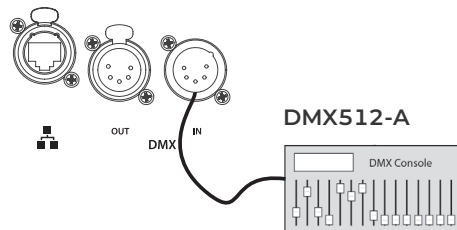
4.2 Strobe

4.2.1 Range



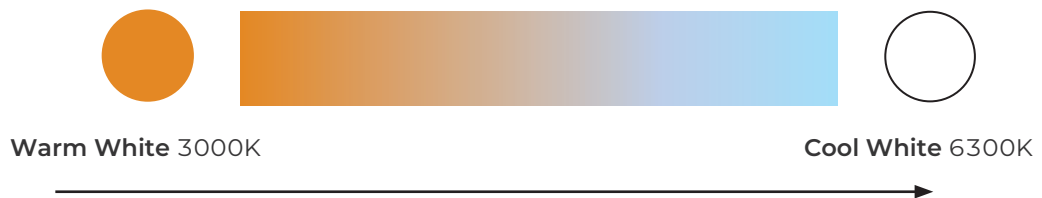
4.2.2 Control

→ Remotely with DMX512-A / Art-Net / sACN / Dual protocols.
 Mode 2 – 4 (VW) / Mode 2 (CW)

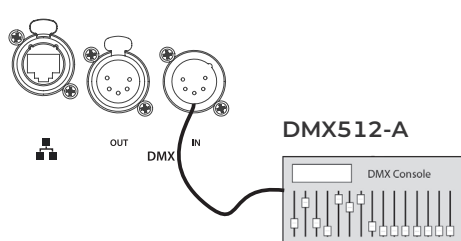


4.3 CCT adjustment (only for Variable White version)

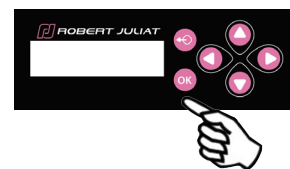
4.3.1 Range



4.3.2 Control



→ Remotely with DMX512-A / Art-Net / sACN / Dual protocols + Mode 3 – 4



→ Locally via Standalone mode
 See 5.3 Home Values

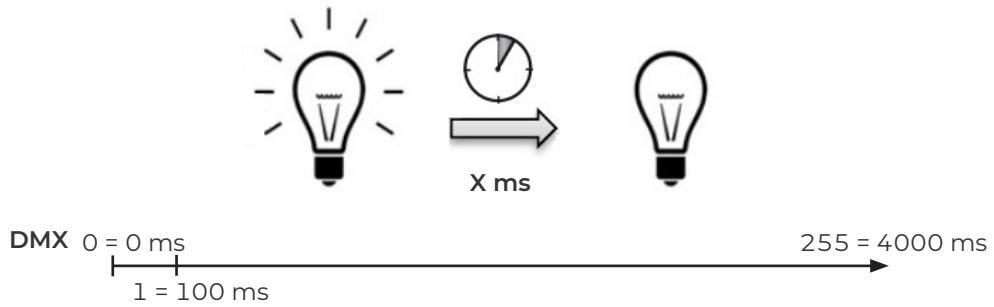
Focus mode: when standby screen displayed,
 Push Exit or the upper arrow button for 3 secs → Light output = 100% for 1 minute
 2x times Exit or the upper arrow button → Light output = 0%

4.3.3 Parameters

Mode	Range	Consistency
Calibrated (default)	3000K → 6300K	Same colour on every fixture
Extended	2700 ± 50K → 7000 ± 300K	Slight colour difference can be seen

4.4 Response time

4.4.1 Range



4.4.2 Control

DMX512-A

DMX Console

OUT DMX IN

RDM compatible device

RDM

OR

Web interface

Locally

ROBERT JULIAT

Remotely, with DMX512-A / Art-Net / sACN / Dual protocols Mode 2 – 4 only (VW) / Mode 2 only (CW)

→ Set through RDM protocol or web interface

→ selection in SETUP/DIMMER/RESPONSE TIME

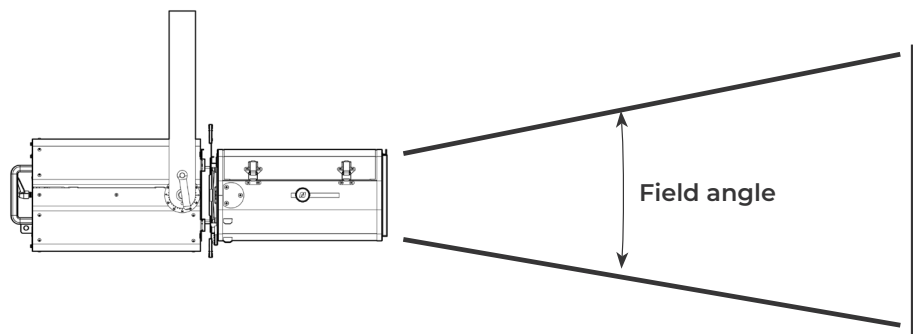
Mode	Speed
RAW	OFF
SLOW	700 ms
MEDIUM	470 ms
FAST	350 ms
CUSTOM	0 - 4000 ms

Mode	Speed
RAW	OFF
SLOW	700 ms
MEDIUM	470 ms
FAST	350 ms
CUSTOM	0 - 4000 ms

see 5.3 Home Values

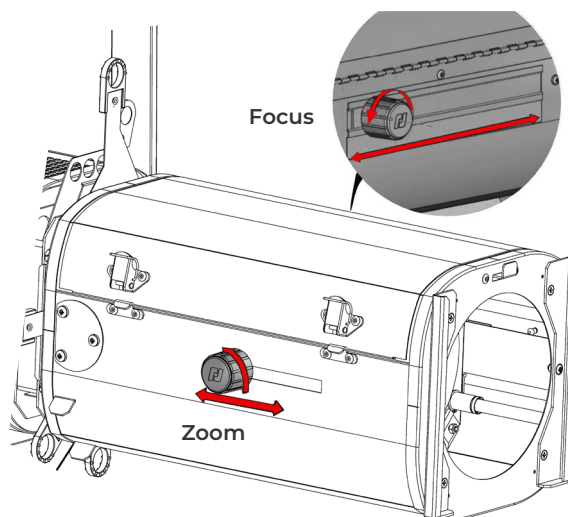
4.5 Beam size adjustment

4.5.1 Range



Model	Minimum angle	Maximum angle
673SX / 673CSX	28°	54°
674SX / 674CSX	16°	35°
671SX / 671CSX	11°	26°

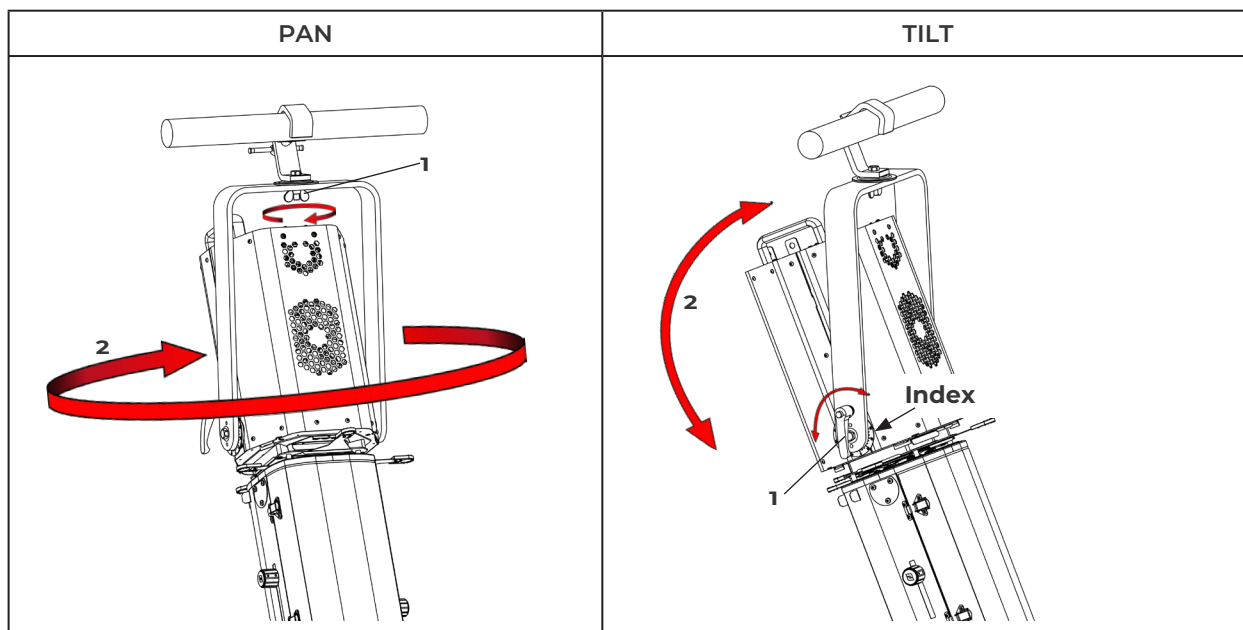
4.5.2 Control



4.6 Orientation

4.6.1 Range

Function	Range
PAN	0 → 360°
TILT	TU = 0 → 60° TD = 0 → 90°



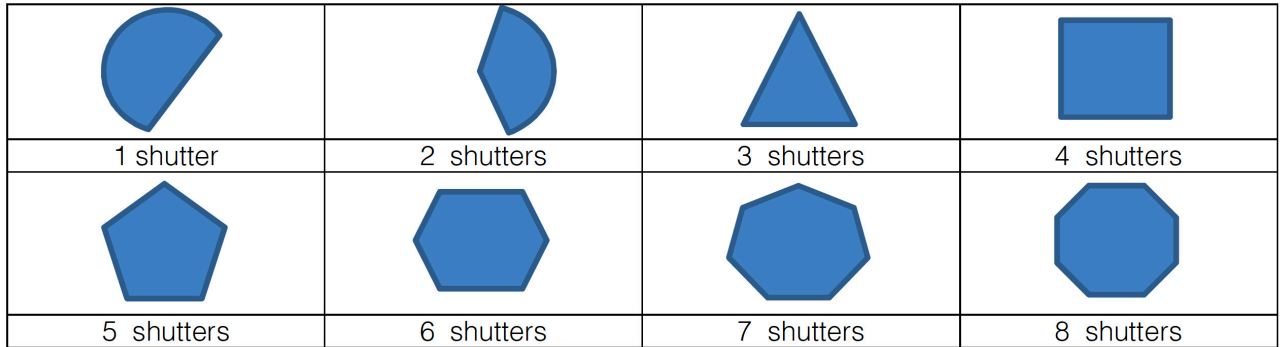
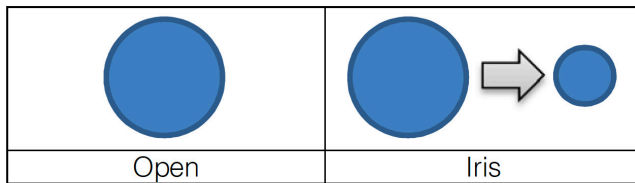
4.7 Colour

Fixed colour:

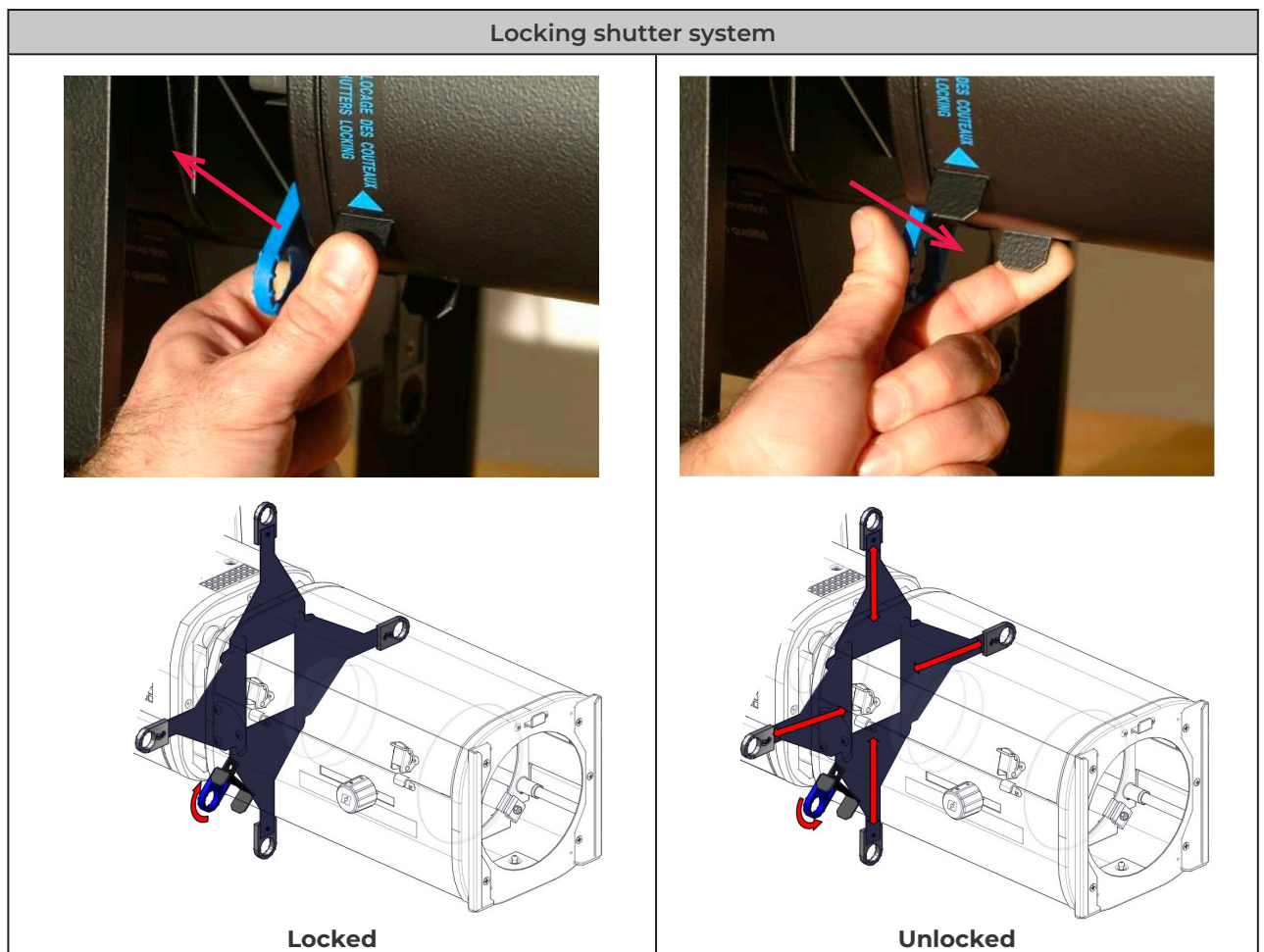
<p>Location</p>		
	<p>1. Front filter holder</p>	<p>2. Internal filter holder</p>
<p>Type</p>	<p>Standard coloured gel filter</p>	<p>Frosted or dichroic glass</p>
<p>Dimensions</p>		
<p>Installation</p>	<p>See 3.4.1</p>	<p>See 3.4.2</p>

4.8 Beam shaping

4.8.1 Range





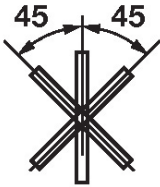
4.8.2 Control



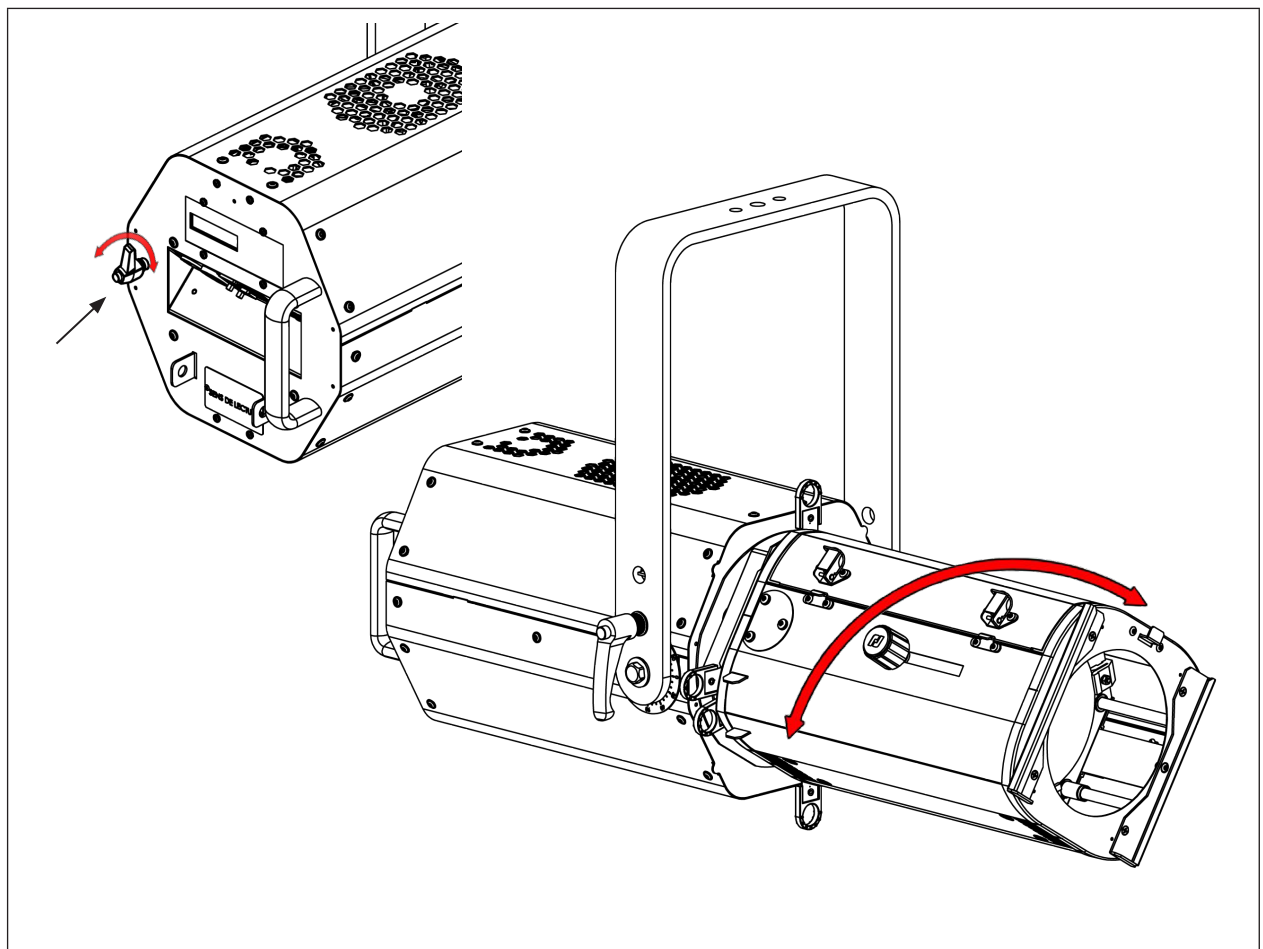
See 3.4 Accessories for gobo, iris and additional shutters installation

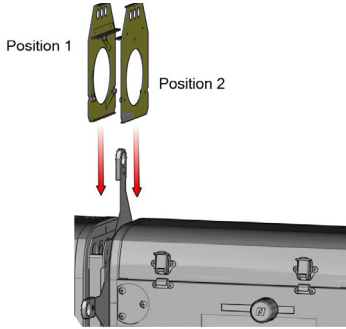
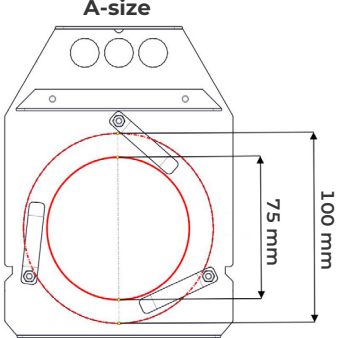

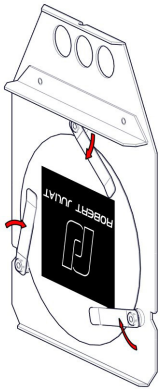
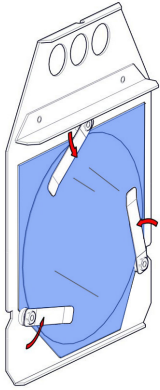
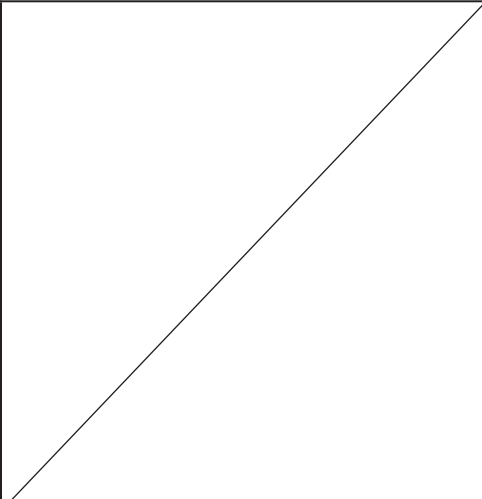
4.9 Beam rotation

4.9.1 Range

Function		Range
		
Gobo	Shutters	

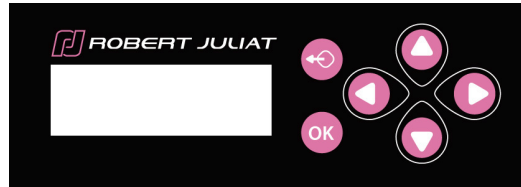
4.9.2 Control



<p>Location</p>		
<p>Type</p>	<p>Metal / Glass</p>	
	<p>A-size</p> 	
<p>Gobo installation</p>	<p>Position 1</p> 	<p>Position 2</p> 
<p>Optical filter installation</p>	<p>Position 1</p> 	

5.1 Local display and controls

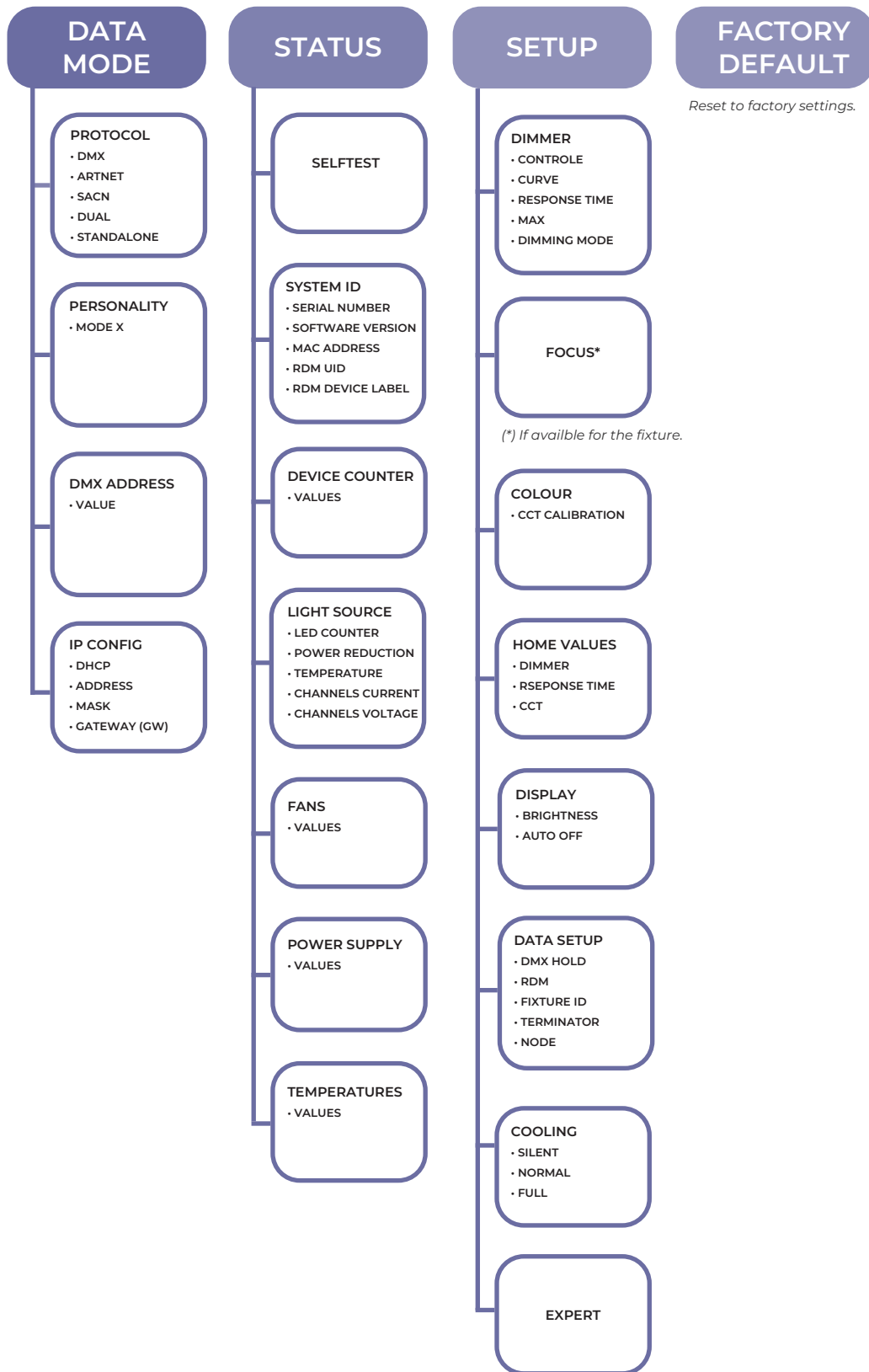
5.1.1 Display



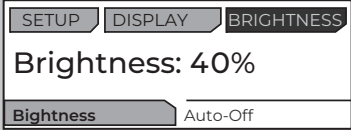
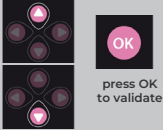
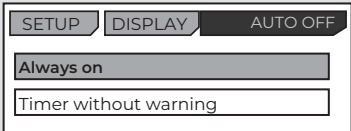
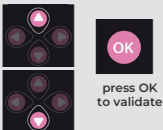
Function	
	Exit the current menu option and/or go back
	Long press for 3 seconds => Access Focus mode
	Enter the current menu option and/or valid
	Scroll through menus and/or Increase data value
	Scroll through menus and/or Decrease data value
	Scroll through menus and/or Increase data value
	Scroll through menus and/or Decrease data value

5.1.2 Home screen

Display	Mode	Description
DUAL : NO HOLD LAST NO DMX DIMMER: 00-CCT: 3000K	Home	Main display (home screen)
Diagnostic Nothing to report	 x1 push	Diagnostics
Link status : NOK DHCP : OFF IP 192.168.000.013 MASK 255.255.255.000 GW 192.168.000.001	 x1 push	Network information
FOCUS MODE Remaining... 59s	 Press 3 secs.	FOCUS mode



→ Selection in menu: **SETUP / DISPLAY**

Display	Function	Description
	<p>Brightness</p>	<p>Adjust the intensity of the screen</p> <p>To change value, press buttons:</p> 
	<p>Auto-OFF</p>	<p>To keep the main display (home screen) always ON, select :</p> <p>Always ON Timer without warning Timer with warning</p> <p>Main display turns OFF after 20 seconds</p> 

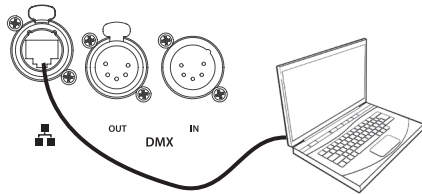
5.2 DMX512 - A remote control

5.2.1 Protocol

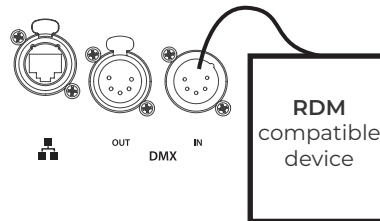
E1.11 – 2008, USITT DMX512-A

5.2.2 Configuration

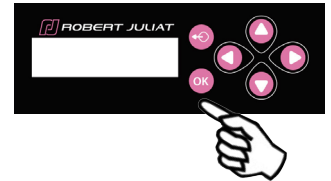
Set mode through web interface
(see 5.4.4 Web interface)



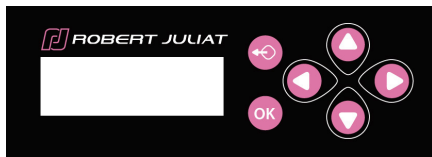
Set mode through RDM protocol



Local control

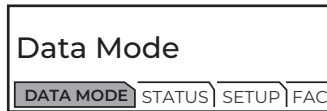
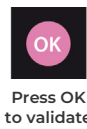


- 1 - Set DMX address
- 2 - Set personality mode (see 5.2.4. DMX chart)

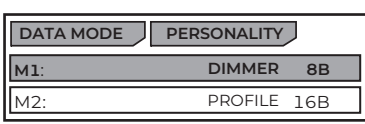


Caution:

Activate DMX in protocol mode beforehand.



Selection of the unit personality



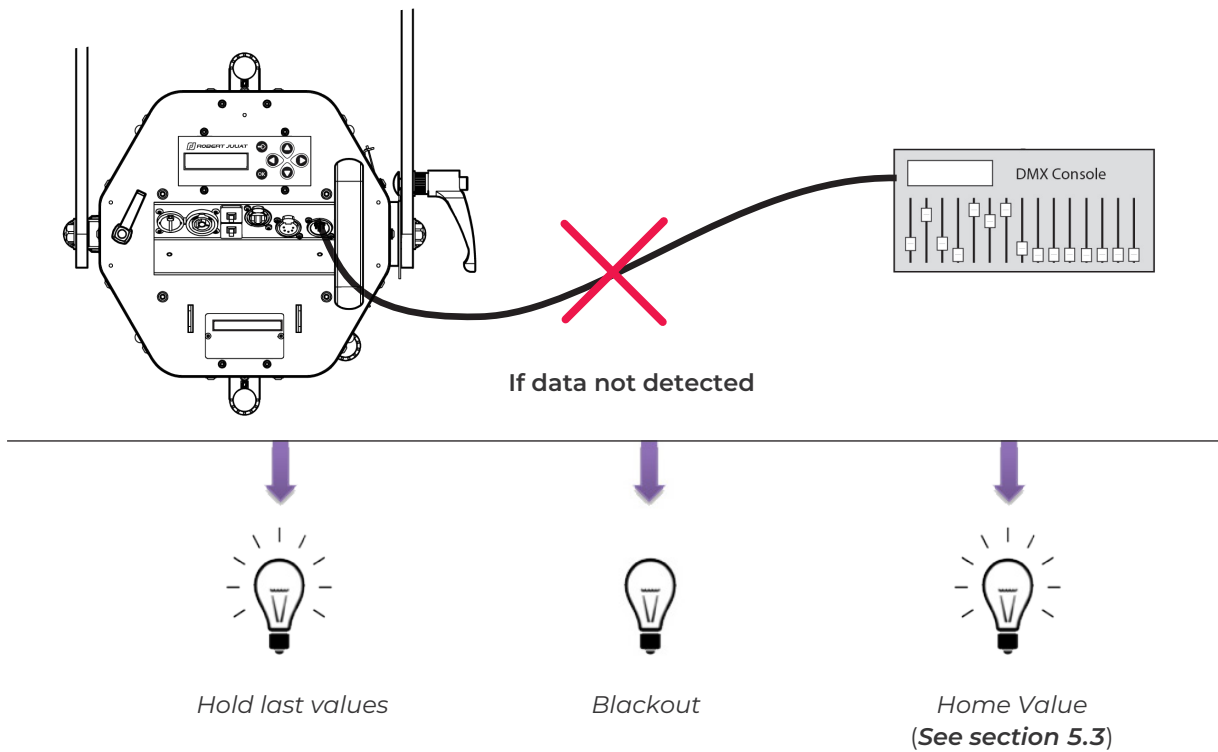
DMX address of the unit from 1 to 512



5.2.3 Parameters

5.2.3.1 DMX Hold

→ Selection in **SETUP / Data Setup / DMX HOLD** menu



5.2.3.2 Fixture ID

→ Selection in **SETUP / DATA SETUP / FIXTURE ID** menu

Fixture ID can be set through **web interface** or **RDM protocol** or **local control**

Each unit can be identified by a Fixture ID number

– Once defined, the Fixture ID is displayed on the Home screen.

Example: Installation with 6 units						
Home screen information	ID1 @ 101	ID2 @ 123	ID3 @ 145	ID4 @ 167	ID5 @ 189	ID6 @ 211
Fixture ID	1	2	3	4	5	6
DMX address	101	123	145	167	189	211

5.2.3.3 Terminator

Mode: Auto

A resistor of 120R is automatically connected to terminate the DMX line as the RS485 standard specifies.

5.2.3.4 Node

On sACN/ArtNet/Dual mode we have the possibility to transmit a DMX/RDM signal protocol on the DMX port (Output). The selection can be done through the menu/Webpage/RDM.

On Dual mode (sACN/ArtRdm) the node feature is automatically selected.

5.2.4.1 Variable White version (VW)

DMX Channel	Mode 1: Dimmer 8B	Mode 2: Dimmer 16B	Mode 3: Profile 8B CCT	Mode 4: Profile 16b CCT
1	Dimmer	Dimmer	Dimmer	Dimmer
2		Dimmer fine	CCT	Dimmer fine
3		Strobe duration		Strobe duration
4		Strobe speed		Strobe speed
5		Response time		Response time
6		Control mode		Control mode
7				CCT
8				CCT fine

5.2.4.2 Cool White version (CW)

DMX Channel	Mode 1: Dimmer 8B	Mode 2: Dimmer 16B
1	Dimmer	Dimmer
2		Dimmer fine
3		Strobe duration
4		Strobe speed
5		Response time
6		Control mode

5.2.5 DMX ranges

5.2.5.1 Strobe duration

Range min	Range max	Function
0	0	Strobe OFF
1	255	Strobe ON - 1 ms → 20 ms

5.2.5.2 Strobe speed

Range min	Range max	Function
0	255	Frequency: 0,1 Hz → 10 Hz

5.2.5.3 Response time

Range min	Range max	Function
0	0	OFF
1	255	Response time: 0,1 s → 4 s

5.2.5.4 Control mode*

Range min	Range max	Function
0	0	-
1	10	RDM OFF
11	20	RDM ON
21	30	Fixture Reset
31	40	Dimmer Curve Linear
41	50	Dimmer Curve Square
51	60	Not used
61	70	Not used
71	80	Not used
81	90	Not used
91	100	Not used
101	110	Cooling mode: Silent
111	120	Cooling mode: Normal
121	130	Cooling mode: Full power
131	255	Not used

(*) Function activated after 5 seconds - needs to go back to zero to activate second function.

5.2.6.1 Protocol

ANSI E1.20 – 2010 / ANSI E1.37 - 1

For more information about RDM protocol: <http://www.rdmprotocol.org/>

5.2.6.2 Functions

PID		Description	Standard	Get	Set	Queued_Message	Ack_Timer	VERSION 5.00
Network Management								
00	01	DISCOVERY_UNIQUE_BRANCH	E1.20					✓
00	02	DISCOVERY_MUTE	E1.20		✓			✓
00	03	DISCOVERY_UNMUTE	E1.20		✓			✓
00	15	COMMUNICATION_STATUS	E1.20	✓	✓			✓
Status Collection								
00	20	QUEUED_MESSAGE	E1.20	✓				✓
00	30	STATUS_MESSAGES	E1.20	✓				✓
00	31	STATUS_ID_DESCRIPTION	E1.20	✓				✓
00	32	CLEAR_STATUS_ID	E1.20		✓			✓
00	33	QUEUED_MESSAGE_SENSOR_SUBSCRIBE	E1.20-2023	✓	✓			
RDM Information								
00	50	SUPPORTED_PARAMETERS	E1.20	✓				✓
00	51	PARAMETER_DESCRIPTION	E1.20	✓				✓
Product Information								
00	60	DEVICE_INFO	E1.20	✓			✓	✓
00	70	PRODUCT_DETAIL_ID_LIST	E1.20	✓				✓
00	80	DEVICE_MODEL_DESCRIPTION	E1.20	✓				✓
00	81	MANUFACTURER_LABEL	E1.20	✓				✓
00	82	DEVICE_LABEL	E1.20	✓	✓	✓	✓	✓
00	90	FACTORY_DEFAULTS	E1.20	✓	✓		✓	✓
00	C0	SOFTWARE_VERSION_LABEL	E1.20	✓			✓	✓
00	C2	BOOT_SOFTWARE_VERSION_LABEL	E1.20	✓				✓
DMX512 Setup								
00	E0	DMX512_PERSONALITY	E1.20	✓	✓	✓	✓	✓
00	E1	DMX512_PERSONALITY_DESCRIPTION	E1.20	✓				✓
00	F0	DMX512_STARTING_ADDRESS	E1.20	✓	✓	✓	✓	✓
01	20	SLOT_INFO	E1.20	✓				✓
01	21	SLOT_DESCRIPTION	E1.20	✓				✓
Sensors								
02	00	SENSOR_DEFINITION	E1.20	✓				✓
02	01	SENSOR_VALUE	E1.20	✓				✓
Dimmer Settings								
03	40	DIMMER_INFO	E1.37-1	✓				✓
03	42	MAXIMUM_LEVEL	E1.37-1	✓	✓	✓	✓	✓
03	43	CURVE	E1.37-1	✓	✓	✓	✓	✓
03	44	CURVE_DESCRIPTION	E1.37-1	✓				✓
03	45	OUTPUT_RESPONSE_TIME	E1.37-1	✓	✓	✓	✓	✓
03	46	OUTPUT_RESPONSE_TIME_DESCRIPTION	E1.37-1	✓				✓
03	47	MODULATION_FREQUENCY	E1.37-1	✓	✓	✓	✓	✓
03	48	MODULATION_FREQUENCY_DESCRIPTION	E1.37-1	✓				✓
Power / Lamp Settings								
04	00	DEVICE_HOURS	E1.20	✓				✓
04	01	LAMP_HOURS	E1.20	✓	✓			✓
Display Settings								
05	01	DISPLAY_LEVEL	E1.20	✓	✓	✓	✓	✓

PID	Description	Standard	Get	Set	Queued_Message	Ack_Timer	SULLY
Control							
10	00	IDENTIFY_DEVICE	E1.20	✓	✓	✓	✓
10	01	RESET_DEVICE	E1.20		✓	✓	✓
10	20	PERFORM_SELFTEST	E1.20	✓	✓	✓	✓
10	21	SELF_TEST_DESCRIPTION	E1.20				✓
RDMnet Management							
07	00	LIST_INTERFACES	E1.37-2	✓			✓
07	01	INTERFACE_LABEL	E1.37-2	✓			✓
07	02	INTERFACE_HARDWARE_ADRESS_TYPE1	E1.37-2	✓			✓
07	03	IPV4_DHCP_MODE	E1.37-2	✓	✓	✓	✓
07	05	IPV4_CURRENT_ADDRESS	E1.37-2	✓		✓	✓
07	06	IPV4_STATIC_ADDRESS	E1.37-2	✓	✓		✓
07	09	INTERFACE_APPLY_CONFIGURATION	E1.37-2		✓		✓
07	0A	IPV4_DEFAULT_ROUTE	E1.37-2	✓	✓	✓	✓
07	0B	DNS_IPV4_NAME_SERVER	E1.37-2	✓	✓	✓	✓
PID Manufacturer							
85	58	SELFTEST_RESULT	E1.20	✓			✓
85	59	CURRENT_IP_ADDRESS	E1.20	✓		✓	✓
85	5A	CURRENT_NETMASK	E1.20	✓		✓	✓
85	5B	CURRENT_DRIVER_STATUS	E1.20	✓		✓	✓
85	5C	CUSTOM_RESPONSE_TIME_DESCRIPTION	E1.20	✓			✓
85	5D	CUSTOM_RESPONSE_TIME_VALUE	E1.20	✓	✓	✓	✓
85	60	DATA_MODE_DESCRIPTION	E1.20	✓			✓
85	61	DATA_MODE_VALUE	E1.20	✓	✓	✓	✓
85	62	STANDALONE_VALUE_DESCRIPTION	E1.20	✓			✓
85	63	STANDALONE_VALUE	E1.20	✓	✓	✓	✓
85	64	SACN_UNIVERSE_VALUE_DESCRIPTION	E1.20	✓			✓
85	65	SACN_UNIVERSE_VALUE	E1.20	✓	✓	✓	✓
85	66	ARTNET_UNIVERSE_VALUE_DESCRIPTION	E1.20	✓			✓
85	67	ARTNET_UNIVERSE_VALUE	E1.20	✓	✓	✓	✓
85	68	SERIAL_DESCRIPTION	E1.20	✓			✓
85	69	SERIAL	E1.20	✓	✓	✓	✓
85	6A	DMX_HOLD_DESCRIPTION	E1.20	✓			✓
85	6B	DMX_HOLD	E1.20	✓	✓	✓	✓
85	6C	COMMAND_LOCK_DESCRIPTION	E1.20	✓			✓
85	6D	COMMAND_LOCK_VALUE	E1.20	✓	✓	✓	✓
85	6E	DRIVER_CALIBRATE_DESCRIPTION	E1.20	✓			✓
85	6F	DRIVER_CALIBRATE_VALUE	E1.20	✓	✓	✓	✓
85	70	NODE_DESCRIPTION	E1.20	✓			✓
85	71	NODE_VALUE	E1.20	✓	✓	✓	✓
85	72	TERMINATOR_DESCRIPTION	E1.20	✓			✓
85	73	TERMINATOR	E1.20	✓	✓	✓	✓
85	74	DMX_ERROR_COUNTER_DESCRIPTION	E1.20	✓			✓
85	75	DMX_ERROR_COUNTER	E1.20	✓	✓	✓	✓

5.3 Home values & Standalone

“Home values” represent a selection of parameters manually entered into the device via the keypad to produce a defined lighting effect and dimming behavior.

These Home values can be set in the following modes:

Variable White version (VW)

Functions *	Mode 1: Dimmer 8B	Mode 2: Dimmer 16B	Mode 3: Dimmer 8B CCT	Mode 4: Dimmer 16B CCT	Standalone **
Dimmer	Valeur DMX	Valeur DMX	Valeur DMX	Valeur DMX	HOME VALUE
Response Time	HOME VALUE	Valeur DMX	HOME VALUE	Valeur DMX	HOME VALUE
Tunable white: CCT	HOME VALUE	HOME VALUE	Valeur DMX	Valeur DMX	HOME VALUE

Cool White version (CW)

Functions *	Mode 1: Dimmer 8B	Mode 2: Dimmer 16B	Standalone **
Dimmer	Valeur DMX	Valeur DMX	HOME VALUE
Response Time	HOME VALUE	Valeur DMX	HOME VALUE

If the function is not controlled by DMX, the Home value is automatically activated.

(*) Functions are displayed according to the selected mode (Mode 1-2-3-4 for VW / Mode 1-2 for CW).

- In the case of using one or more functions in Mode 1 / 2 / 3 / 4
Data mode → personality → Mode 1 / Mode 2 / Mode 3 / Mode 4

() Defines a standalone operating mode in the following cases:**

- As default values when used without data Data mode → Protocol → Standalone
- As reference values following a data signal loss. Set up → Data set up → DMX hold → Standalone

5.4 Network

Our network stack can handle several flows of protocol at the same time.

Protocol always available:

- Web page to set up parameters - See section 5.4.4
- LLRP (Low Level Recovery Protocol) for IP network configuration - See section 5.4.5

A selection of Protocols dedicated to lighting:

- Art-Net V4 - See section 5.4.1
- sACN - See section 5.4.2
- Dual: Sacn + Art-RDM (DMX512 data signal + RDM) - See section 5.4.3

From July 2024 the Robert Juliat equipment based on RJ LED2 platform is configured as follows:

- DHCP (**D**ynamic **H**ost **C**onfiguration **P**rotocol - **RFC1531**) ON
→ <https://www.rfc-editor.org/rfc/rfc1531>
- Zeroconf (**Z**ero-**C**onfiguration **N**etworking – **IPv4LL/APIPA – RFC3927**) ON
→ <https://www.rfc-editor.org/rfc/rfc3927>

IP Addressing of Parameters - See section 5.1.2

Default:

- At startup, the device’s IP address is set to 000.000.000.000 with a subnet mask of 000.000.000.000
- After connecting to the network, the device awaits the assignment of an IP address and subnet mask by the DHCP server.
- If there is no DHCP server, a unique IP address and subnet mask are automatically assigned.
IP : 169.254.XXX.XXX Mask : 255.255.0.0

Most personal computers are configured with DHCP and Zeroconf enabled, so the IP address defaults to 169.254.X.X with a subnet mask of 255.255.0.0.

When connected to a Robert Juliat device, since the IP address/mask range are in the same class, network communication works seamlessly.

This configuration was chosen to make it easier for non-IT technicians.

Static IP:

It's possible to configure a static IP address, but be sure to select a unique IP address with the correct subnet mask.

Configuration can be done via the Web Page, RDM, LLRP, Art-Net, or locally.

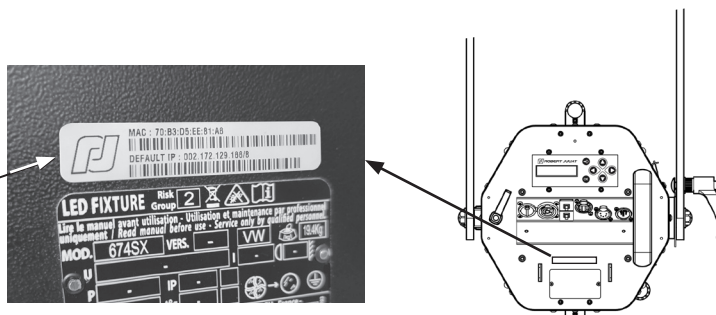
Default IP Address:

When DHCP mode is OFF and no static IP address has been selected, the device will default to a Class A IP address of 2.XXX.XXX.XXX with a subnet mask of 255.0.0.0.

This address can be found on a label near the ID plate or by pressing the right arrow on the local control.

Default Settings:

DHCP = OFF
 Address = 2.XXX.XXX.XXX
 Mask = 255.0.0.0



Changing the Controlling Computer's IP Address:

- The IP address and subnet mask of both the fixture and the computer must be on the same network class.
- The computer's IP address must be different.
- Refer to your operating system's support to modify IPv4 settings:
 - Change your IP address on Windows
 - ➔ <https://support.microsoft.com/en-us/windows/change-tcp-ip-settings-bd0a07af-15f5-cd6a-363f-ca2b6f391ace>
 - Change your IP address on Mac
 - ➔ <https://support.apple.com/en-ae/guide/mac-help/mh14129/mac>

Example: Using the fixture's default IP address

- 1 - Computer IP address: 2.2.2.2
- 2 - Computer subnet mask: 255.0.0.0

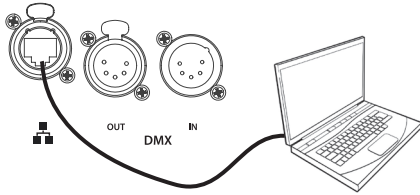
5.4.1.1 Protocol

Artistic Licence Art-Net v4.

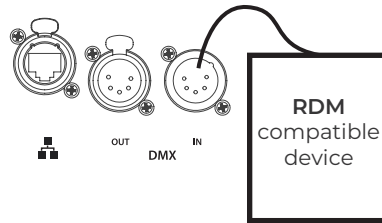
For more information about Art-Net protocol: <http://art-net.org.uk/>

5.4.1.2 Configuration

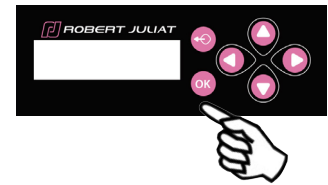
Set mode through Web interface
(see 5.4.4 Web interface)



Set mode through RDM
protocol



Local control

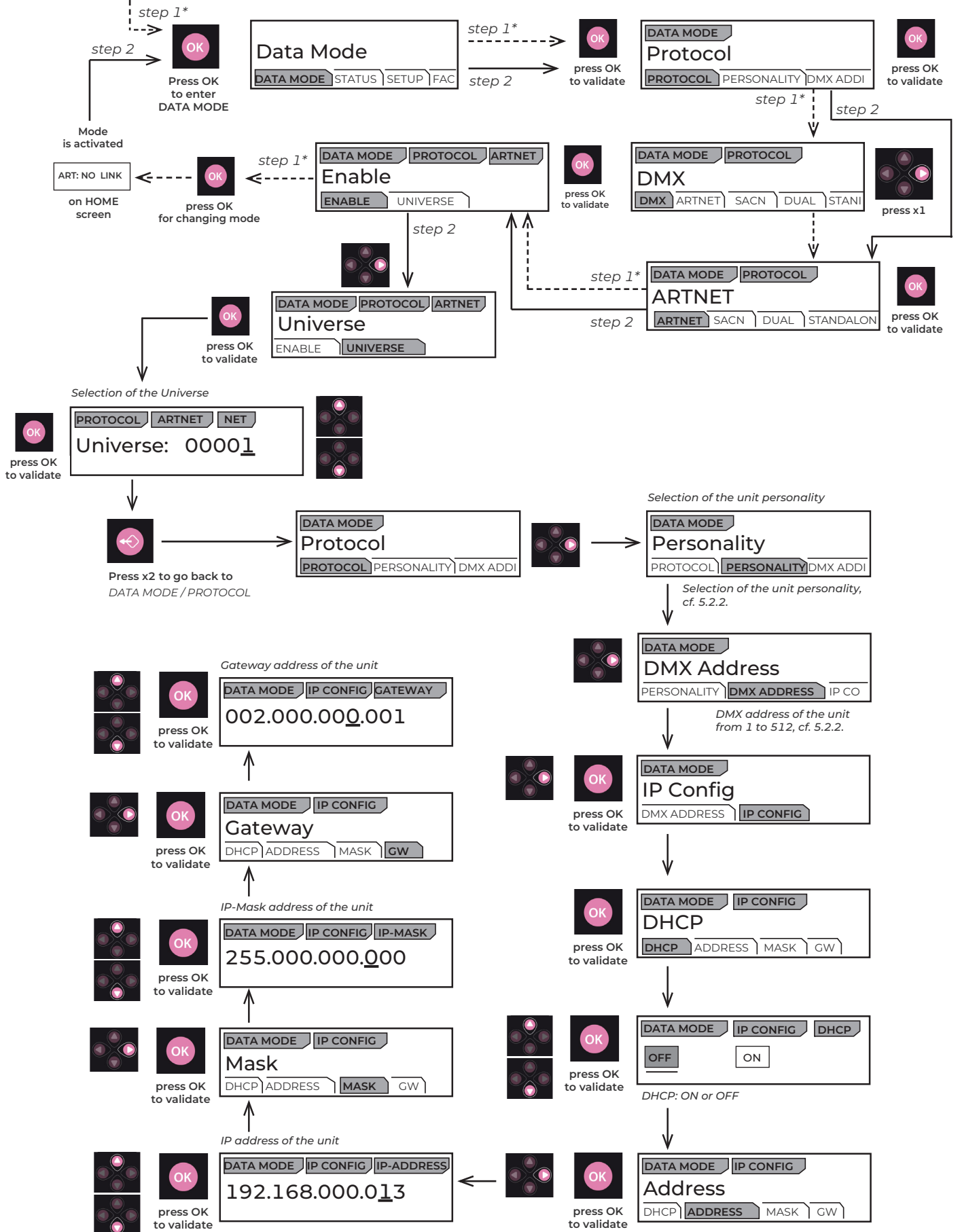


- 1 - If necessary, change IP settings
- 2 - Set Art-Net Universe
- 3 - Set DMX address
- 2 - Set personality mode (see 5.2.4. DMX chart)



Caution:

(*) Activate Art-Net in protocol mode beforehand.

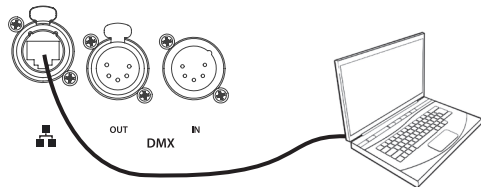


5.4.2.1 Protocol

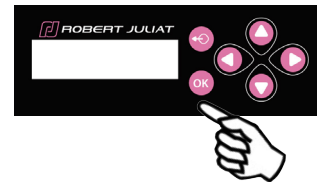
ANSI E1.31 – 2009 sACN (Streaming-ACN)

5.4.2.2 Configuration

Set mode through Web interface
(see 5.4.4 Web interface)



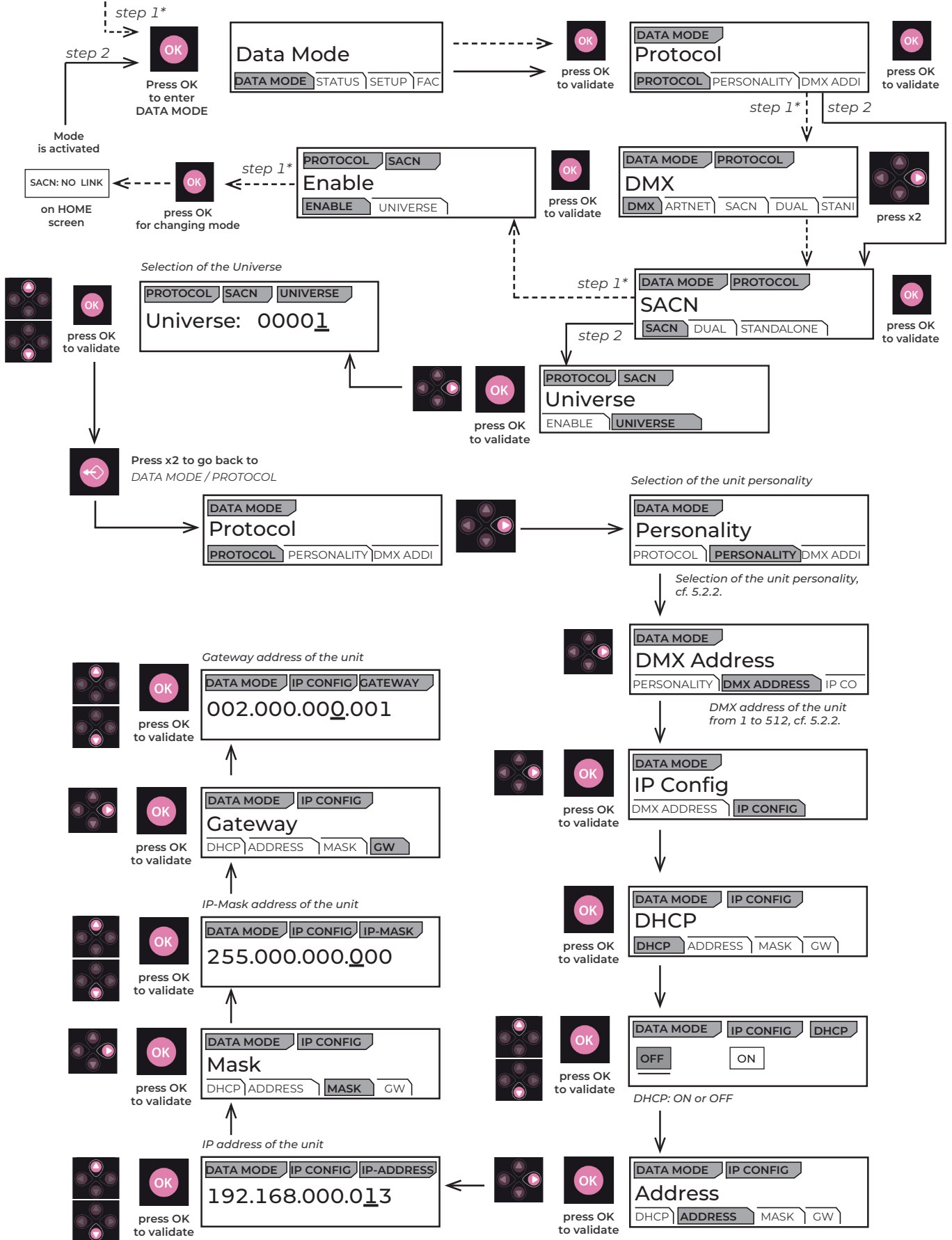
Set through local control



- 1 - If necessary, change IP settings
- 2 - Set sACN universe
- 3 - Set DMX address
- 2 - Set personality mode (see 5.2.4. DMX chart)



Caution:
 (*) Activate sACN in protocol mode beforehand.



5.4.3.1 Protocol

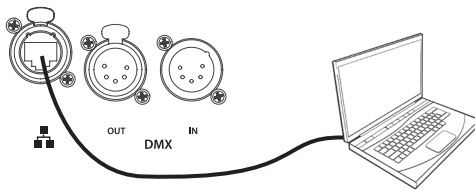
Dual Mode: Available only on an Ethernet network

It allows to send a DMX 512 signal through a sACN data stream and at the same time to use an Artnet/ArtRdm data stream to control, set and monitor the equipment via RDM.

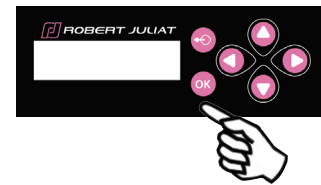
This mode can be set by Web interface or the local control screen.

5.4.3.2 Configuration

Set mode through Web interface
(see 5.4.4 Web interface)



Set through local control

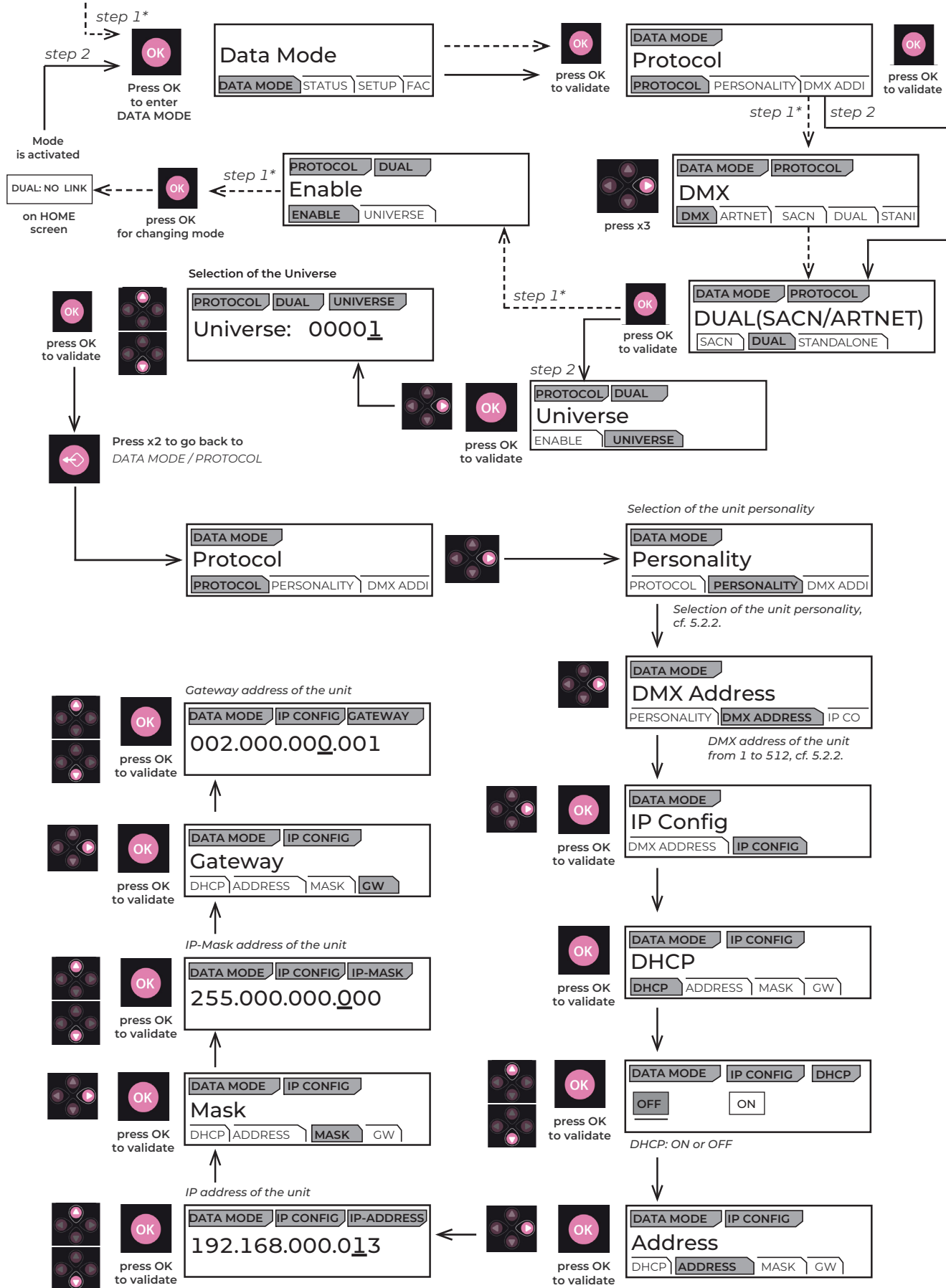


- 1 - If necessary, change IP settings
- 2 - Set DUAL universe
- 3 - Set DMX address
- 4 - Set personality mode (see 5.2.4. DMX chart)



Caution:

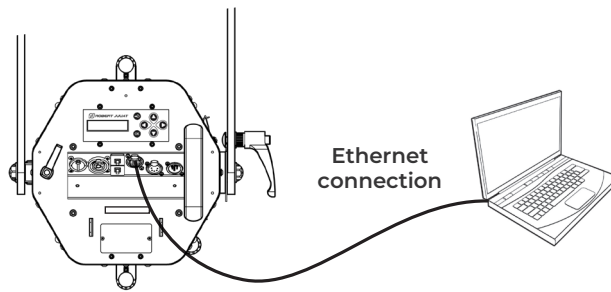
(*) Activate DUAL in protocol mode beforehand.



5.4.4 Web interface



5.4.4.1 Control



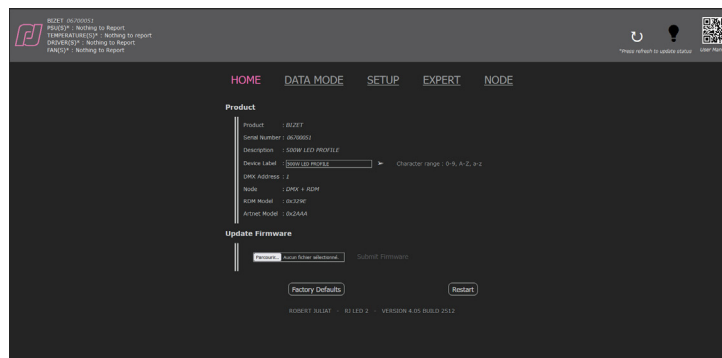
The fixture must be connected to a compatible network or directly linked to a computer with an RJ45 Ethernet cable.

The fixture's IP address: **see section 5.4. Network**

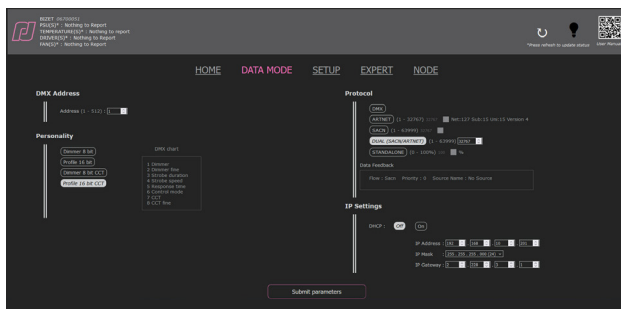
5.4.4.2 Connection to the Web interface



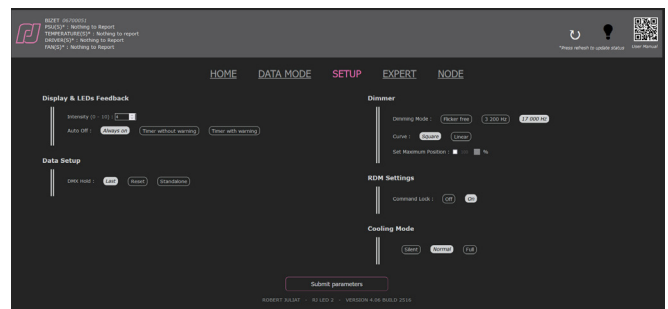
- 1 - Open a web browser (Microsoft Edge, Firefox, Apple Safari...)
- 2 - Enter the fixture's IP address in the browser's address bar
 - "OOX" is read as "X".
 - Never type a zero (0) before the numbers XX or X (**see 5.4**)
- 3 - The HOME page will appear, and all settings can now be viewed and modified.



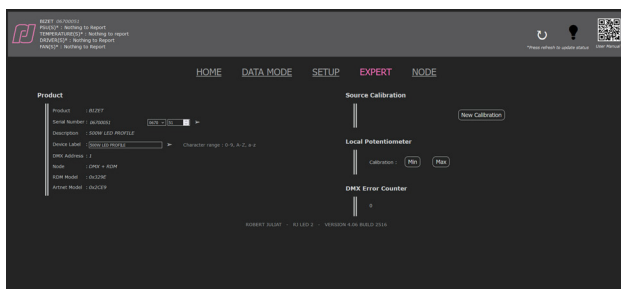
HOME Page



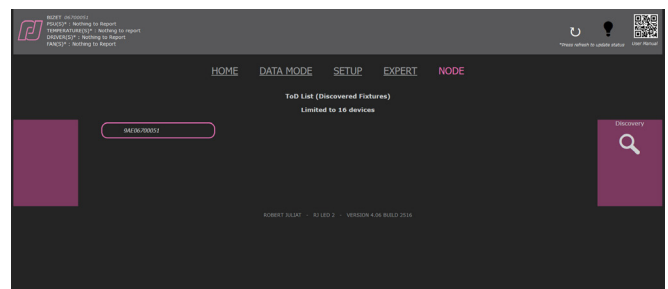
DATA MODE Page



SETUP Page



EXPERT Page, password-protected (1280).



NODE Page

UID* list of devices detected by RDM on the DMX OUT link; the first UID is the fixture.

(*) UID : RDM Unique Identifier

LLRP is a multicast protocol that facilitates basic IP configuration. It is part of the ESTA E1.33 RDMnet standard.

LLRP can be used for the initial configuration of networked equipment. It provides a low-level mechanism for discovering and configuring the network parameters of devices, including IP settings and basic RDMnet configuration settings.

LLRP Targets expose these parameters for configuration and respond to discovery requests from LLRP Managers. Once an LLRP Manager discovers one or more LLRP Targets, it can use LLRP to send RDMnet commands to retrieve or modify these parameters.

A SOLUTION FOR INCORRECT OR UNKNOWN IP CONFIGURATION

Network connectivity issues are often caused by misconfigured network addresses, with improperly configured subnet masks being the most common problem.

LLRP uses two multicast IP addresses, enabling communication even when all other network communication has failed.

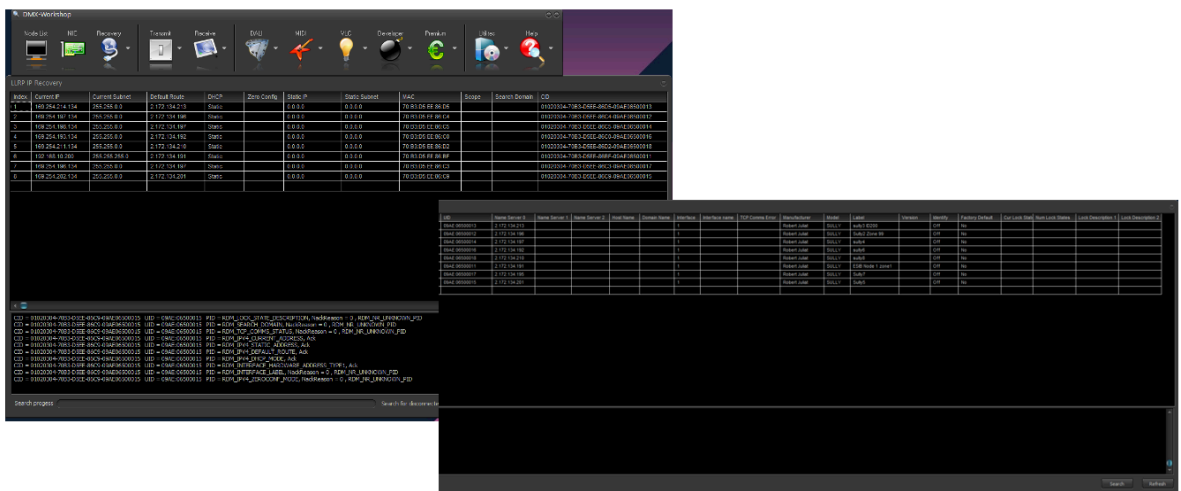
Since multicast addresses are unaffected by a misconfigured subnet mask, LLRP provides an efficient and reliable solution to recover from network misconfiguration.

In summary, LLRP simplifies the process of identifying and configuring the IP addressing of LLRP-compatible devices on your network.

All Robert Juliat equipment based on the RJ LED2 platform includes LLRP functionality.

Two LLRP Manager software tools are available for free:

- DMXworkshop by Wayne Howell from Singularity (UK): <https://singularity-uk.com/product/dmx-workshop/>



- CLU/Netron from Obsidian : <https://obsidiancontrol.com/netron-clu>

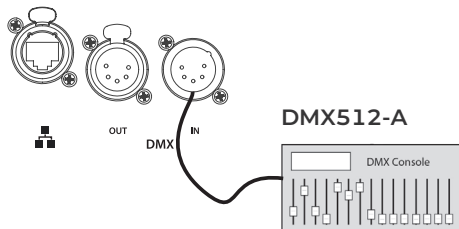


5.5 Fan cooling modes

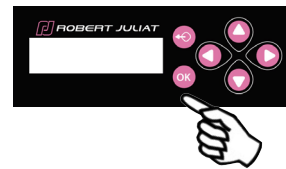
5.5.1 Range

Mode	Fan Speed
SILENT	Minimum – constant speed
NORMAL	Regulated – depending on ambient temperature
FULL	Maximum – constant speed

5.5.2 Control



Remotely by DMX512-A
Mode 3 – 4



Locally → selection in
SETUP / COOLING

6.1 Preventive maintenance

6.1.1 Frequency

General maintenance should be performed at least once a year or more frequently if the equipment is operated in adverse conditions (smoke, heat, humidity, touring, etc.).

6.1.2 General cleaning

Remove dust from the unit.

6.1.3 General visual check

- No trace of heat.
- No loose contacts.
- No missing parts.
- Tighten mechanical assemblies (screws, bolts and nuts, etc.).

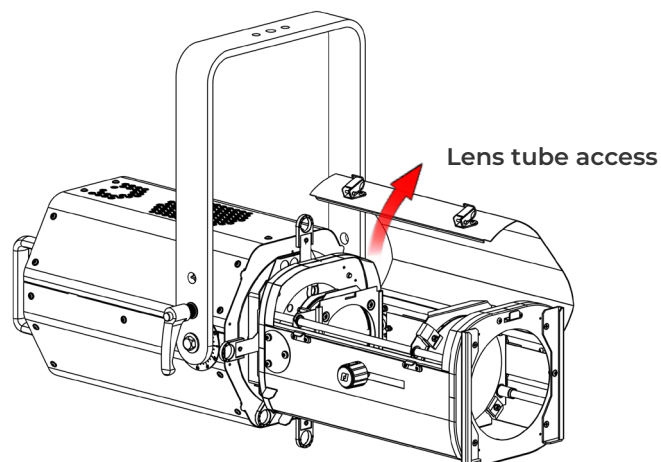
6.1.4 LED source



- Do not touch the surface of the LED source (no contact with your hands or any tools).
- Do not put compressed air directly on the source.
- Contact a certified RJ distributor in case of residuals or other objects located on the surface of the LED source.

6.1.5 Optics

- Only use solutions containing alcohol to clean optical parts (lenses).
- To clean the optical parts, use a soft cloth in combination with distilled water or isopropyl alcohol recommended for coated optics. Do not use any cleaning product that contains solvents or abrasives, as these can cause surface damage.
 - Dry with a soft lint-free cloth.



Inner parts:

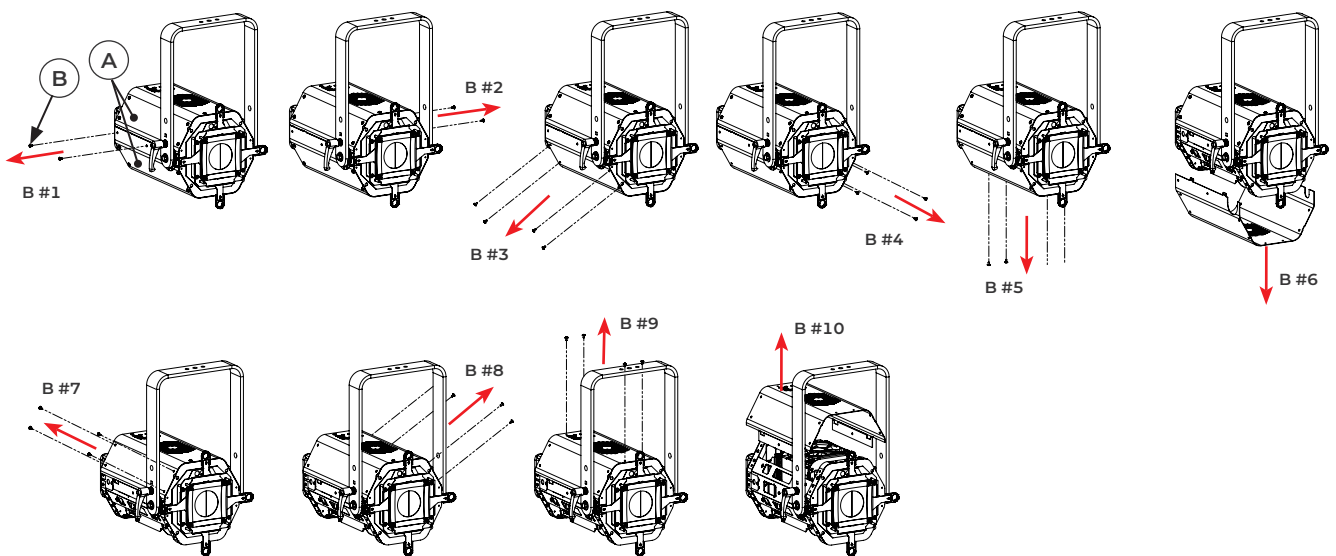
- To clean the optical parts, use a soft cloth in combination with distilled water or isopropyl alcohol recommended for coated optics. Do not use any cleaning product that contains solvents or abrasives, as these can cause surface damage.
- Dry with a soft lint-free cloth.

How to remove the Bizet lamp house for cleaning:

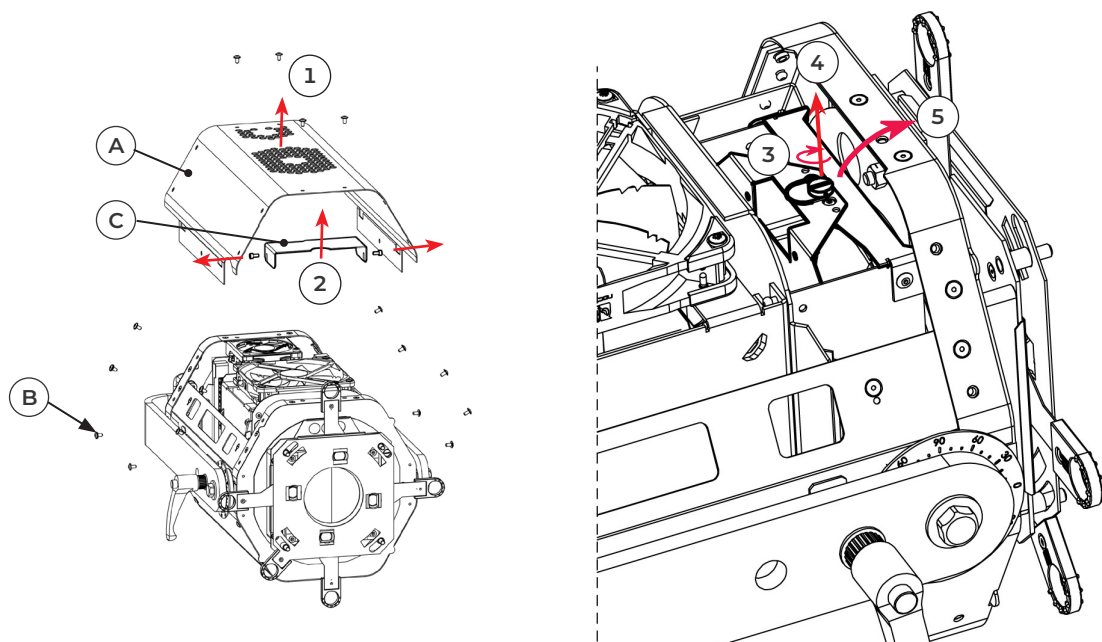


We recommend you place your luminaire on a flat clean surface.
Disconnect from the mains before servicing.

- Dismantle the 2 lamp house covers (A) by removing the 28 screws in the recommended order (B) using a torx screwdriver with a TX20 bit.
- Reassemble the covers (A) by fixing the screws back into place in reverse order (B), once servicing has been completed.



- To access to the double condenser optics holder for cleaning:
 Dismantle the top lamp house cover (A) by removing the 16 screws B #1 & #2 + B #7 to #10 using a torx screwdriver with a TX20 bit. Then remove the plate (C).



In case of problem, contact RJ distributor with the following information:

- Model, version and serial number of the product.
- From the menu status:
 - Software version
 - LED board IDs
 - Device hours
- Description of the problem.



6.3 Electronic thermal management system

In case of overheating, light intensity will be reduced by the system.

“Power reduction X%” will be shown on the display with the reducing percentage.

6.4 Firmware update

1. Download the firmware from one of the following links :

- www.robertjuliat.com/LED/PDF_PAGE or scan the QR code:
- www.robertjuliat.com/singlelenslum/BIZET_370



2. Unzip the file. There are 4 files:

- Firmware (.upd2 format)
- Firmware history
- Update procedure
- User manual from firmware version V5.0x onwards

3. Switch on the lighting fixture.

4. Connect the fixture to the network using an RJ45 Ethernet cable from your computer.

You can either connect it to your lighting network (RJ45) or directly to your computer (RJ45).

5. Open a Web browser (Microsoft Edge, Firefox, Apple Safari, etc.).

6. Enter the fixture’s IP address in the browser’s address bar

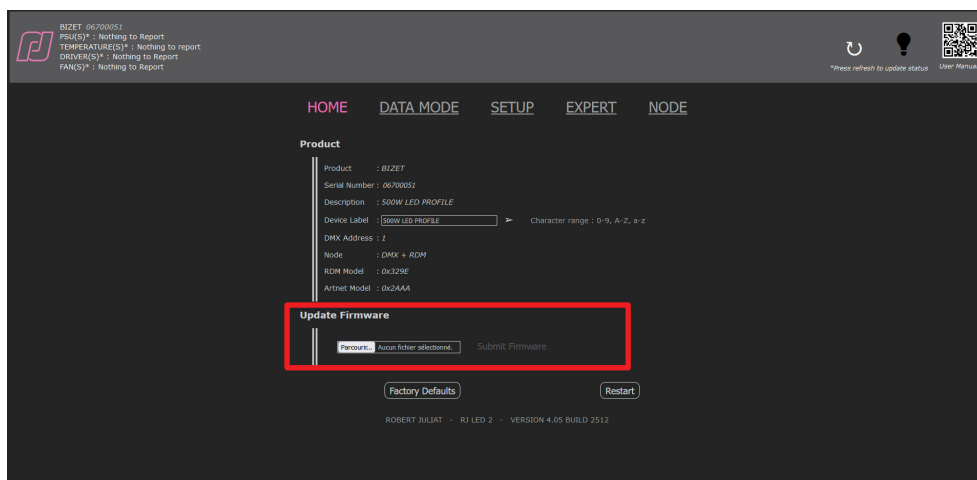


• “00X” is read as “X”.

• Never type a zero (0) before the numbers XX or X (see section 5.4).

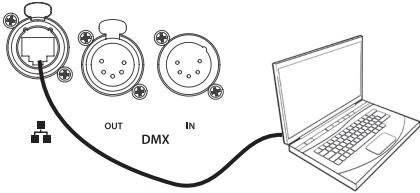
7. Upload your firmware file (.upd2).

In the “Update firmware” window, select the update file and then click on “Submit firmware”.

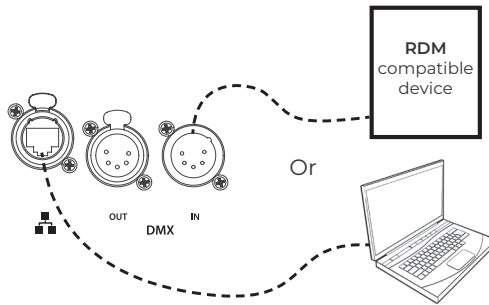


6.5 Factory defaults

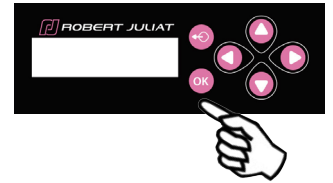
Set to factory defaults /
reset through web interface
(Home page)



Set to factory defaults /
reset through RDM protocol



Set to factory defaults /
reset through local control



Select **FACTORY DEFAULT**
in the main menu to reset
all values and parameters

6.6 Selftest

Select **SELFTEST** in the STATUS menu :



Press OK
to start
SELFTEST



At the end of each test, a **PASS/FAIL** message will be displayed.

If the DMX and network functions need to be tested, the system will prompt you to perform certain operations.

test report: Fail				P=Pass F=Fail			
fans	P	pow	P	temp	P	dmxi	P
dmxo	F	net	F	drv	P		

Test Report

An "F" (FAIL) or "P" (PASS) will be displayed at the end of the self-test (SELFTEST).

If the problem persists, please take a photo of the test result and send it either to your Robert Juliat dealer or to the Robert Juliat After-Sales Service, if requested (email: service@robertjuliat.fr)