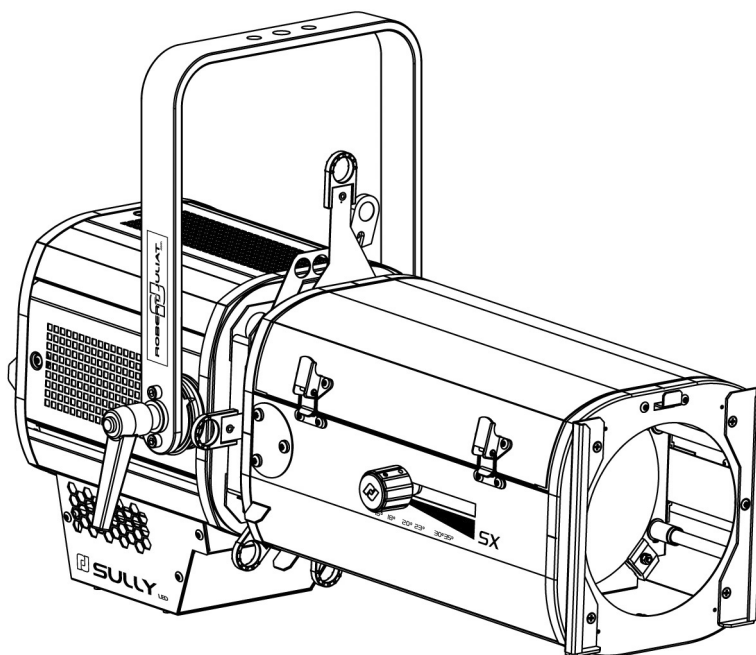


# SULLY 650SX

Manual

115 W LED PROFILE SPOTS



REF	Standard	North American
28 - 54°	653SX	653CSX
16 - 35°	654SX	654CSX
11 - 26°	651SX	651CSX

Product  
Updates:



V1

- FIRMWARE: V5.0x  
- RJ-LED2 FIRMWARE PLATFORM (Node Mode) full manual is  
available for download at [www.robertjuliat.com/LED/PDF\\_PAGE](http://www.robertjuliat.com/LED/PDF_PAGE)

**DN41201901-A (EN)**

Released: 01/06/26



**ROBERT JULIAT**

# Table of Contents

<b>1</b>	<b>User's instructions</b>	<b>1</b>	<b>5</b>	<b>Controls and parameters</b>	<b>20</b>
<b>2</b>	<b>Presentation</b>	<b>2</b>	<b>5.1</b>	<b>Local display and controls*</b>	<b>20</b>
2.1	Functions	2	5.1.1	Display	20
2.2	Identification labels	2	5.1.2	Home screen	20
2.3	Accessories included	3	5.1.3	Menus	21
2.4	Accessories	4	5.1.4	Parameters	22
<b>3</b>	<b>Set-up</b>	<b>5</b>	<b>5.2</b>	<b>DMX512 - A remote control</b>	<b>23</b>
3.1	Mechanics	5	5.2.1	Protocol	23
3.1.1	Operating positions	5	5.2.2	Configuration	23
3.1.2	Minimum distance between a flammable material and the lighting unit	5	5.2.3	Parameters	24
3.1.3	Instructions for use	5	5.2.3.1	DMX Hold	24
3.1.4	Hanging	5	5.2.3.2	Fixture ID	24
3.1.5	Safety cable	6	5.2.3.3	Terminator	24
3.2	Electrical information	6	5.2.3.4	Node	24
3.2.1	LED source	6	5.2.4	DMX chart	25
3.2.2	Power supply	6	5.2.5	DMX ranges	25
<b>3.3</b>	<b>DATA</b>	<b>7</b>	5.2.5.1	Strobe duration	25
3.3.1	DMX 512-A / RDM	7	5.2.5.2	Strobe speed	25
3.3.2	Art-Net / sACN / DUAL	8	5.2.5.3	Response time	25
3.3.3	Ethernet / DMX node / DUAL	8	5.2.5.4	Control mode*	26
<b>3.4</b>	<b>Accessories</b>	<b>9</b>	5.2.6	RDM remote control	27
3.4.1	Front filter holder	9	5.2.6.1	Protocol	27
3.4.2	Double-condenser set	9	5.2.6.2	Functions	27
3.4.3	Internal filter holder	10	<b>5.3</b>	<b>Home values &amp; Standalone</b>	<b>29</b>
3.4.4	Gobo holder / Iris	10	<b>5.4</b>	<b>Network</b>	<b>29</b>
3.4.5	Shutters	11	5.4.1	Art-Net remote control	31
<b>4</b>	<b>Operations</b>	<b>12</b>	5.4.1.1	Protocol	31
4.1	Light intensity	12	5.4.1.2	Configuration	31
4.1.1	Range	12	5.4.1.3	Local set-up	32
4.1.2	Control	12	5.4.2	sACN remote control	33
4.1.3	Parameters	12	5.4.2.1	Protocol	33
4.1.3.1	Dimming resolution - DMX only	12	5.4.2.2	Configuration	33
4.1.3.2	Dimming curve	12	5.4.2.3	Local set-up	34
4.1.3.3	Set maximum position	13	5.4.3	Dual remote control	35
4.1.3.4	Dimming mode	13	5.4.3.1	Protocol	35
<b>4.2</b>	<b>Strobe</b>	<b>13</b>	5.4.3.2	Configuration	35
4.2.1	Range	13	5.4.3.3	Local set-up	36
4.2.2	Control	13	5.4.4	Web interface	37
<b>4.3</b>	<b>Response time</b>	<b>14</b>	5.4.4.1	Control	37
4.3.1	Range	14	5.4.4.2	Connection to the Web interface	37
4.3.2	Control	14	5.4.5	LLRP (Low-Level Reader Protocol)	38
<b>4.4</b>	<b>Beam size adjustment</b>	<b>15</b>	<b>6</b>	<b>Service</b>	<b>40</b>
4.4.1	Range	15	<b>6.1</b>	<b>Preventive maintenance</b>	<b>40</b>
4.4.2	Control	15	6.1.1	Frequency	40
<b>4.5</b>	<b>Orientation</b>	<b>15</b>	6.1.2	General cleaning	40
4.5.1	Range	15	6.1.3	General visual check	40
4.5.2	Control	16	6.1.4	LED source	40
<b>4.6</b>	<b>Colour</b>	<b>16</b>	6.1.5	Optics	40
<b>4.7</b>	<b>Beam shaping</b>	<b>17</b>	6.1.6	LED house cleaning	40
4.7.1	Range	17	6.1.7	LED module cleaning procedure	41
4.7.2	Control	17	<b>6.2</b>	<b>Analysis</b>	<b>41</b>
<b>4.8</b>	<b>Beam rotation</b>	<b>18</b>	<b>6.3</b>	<b>Electronic thermal management system</b>	<b>42</b>
4.8.1	Range	18	<b>6.4</b>	<b>Firmware update</b>	<b>42</b>
4.8.2	Control	18	<b>6.6</b>	<b>Selftest</b>	<b>43</b>
<b>4.9</b>	<b>Gobo / Optical filter</b>	<b>19</b>	<b>6.7</b>	<b>Testing for errors (LED units without a display screen)</b>	<b>44</b>

## GENERAL INSTRUCTIONS

1. Not for residential use.
2. These fixtures must only be serviced by a qualified technician.
3. In addition to the instructions indicated on this page, relevant health and safety requirements of the appropriate EU Directives must be adhered to at all times.
4. This fixture is in compliance with section 17 - Lighting appliance for theatre stages, television, cinema and photograph studios.  
Standards NF EN 60598-1, NF EN 60598-2-17, Low Voltage Directive 2014/35/UE & EMC Directive 2014/30/UE.
5. This fixture is rated as IP20, and is for indoor use only.

## FIXTURE

6. Ensure fixture is correctly mounted on an appropriate support.
7. Protection screens and lenses must be replaced in the event of any damage, such as cracks or deep scratches, since these might reduce performance.
8. When hung or flown the fixture must be secured by an additional hanging accessory (such as a safety cable or bond) of suitable length.
9. Safety bonds or cables must be securely attached to the back of the fixture and be as short as possible, or rolled up as necessary, to minimise travel distance should the fixture be dislodged.
10. Movable accessories (scroller, etc.) must also be secured with a suitable safety cable or bond at the front of the fixture.
11. The combined weight of both the fixture and the accessories must be considered when choosing the load-bearing capability of safety cable or bond.
12. Do not open lighting fixture when the source is on.
13. WARNING: LED source becomes hot during use. Allow fixture to cool before servicing.
14. Do not tamper with design of fixture nor any of its safety features.
15. Tighten electrical mains cable connections regularly and replace with one of identical specification if damaged.
16. Use only with correct power supply.

## VENTILATION

17. Keep well away from flammable material.
18. Not for outdoor use. Do not cover. Do not permit fixture to get wet.
19. To avoid overheating, do not obstruct air vents.
20. Ensure any cooling fans are in correct working order. If fans are not working, turn fixture off immediately and service as necessary.

## CLEANING

21. Do not touch the LED source with your fingers.
22. To clean the optical parts, use a soft cloth in combination with distilled water or isopropyl alcohol recommended for coated optics. Do not use any cleaning product that contains solvents or abrasives, as these can cause surface damage. Dry with a soft lint-free cloth.
23. Regularly remove dust with a soft lint-free cloth.
24. If the fixture has filters, they must be cleaned frequently.


## POWER SUPPLY

25. Disconnect from the mains before servicing.
26. Mains connection only. Do not connect to "electronic output" such as dimmer.
27. Ensure power supply circuit breakers, always remain accessible.

## PLEASE NOTE

This product has been built to conform to European standards relating to professional lighting equipment. Any modification made to our products will void the manufacturers' warranty.

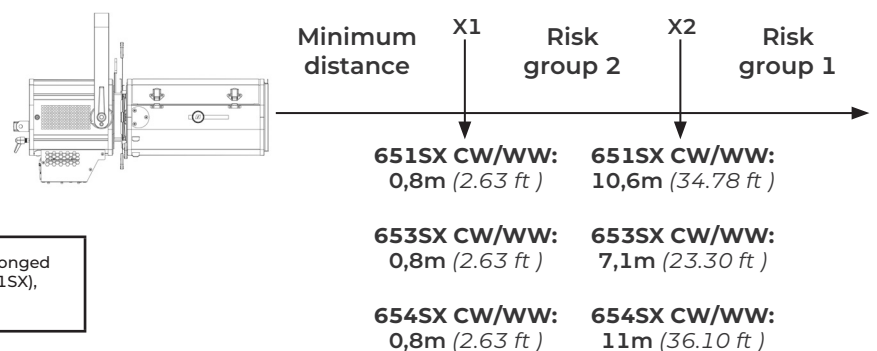
**Risk group 2**



**CAUTION:** Possibly hazardous optical radiation emitted from this product. Do not stare at operating lamp. Maybe harmful to the eye.

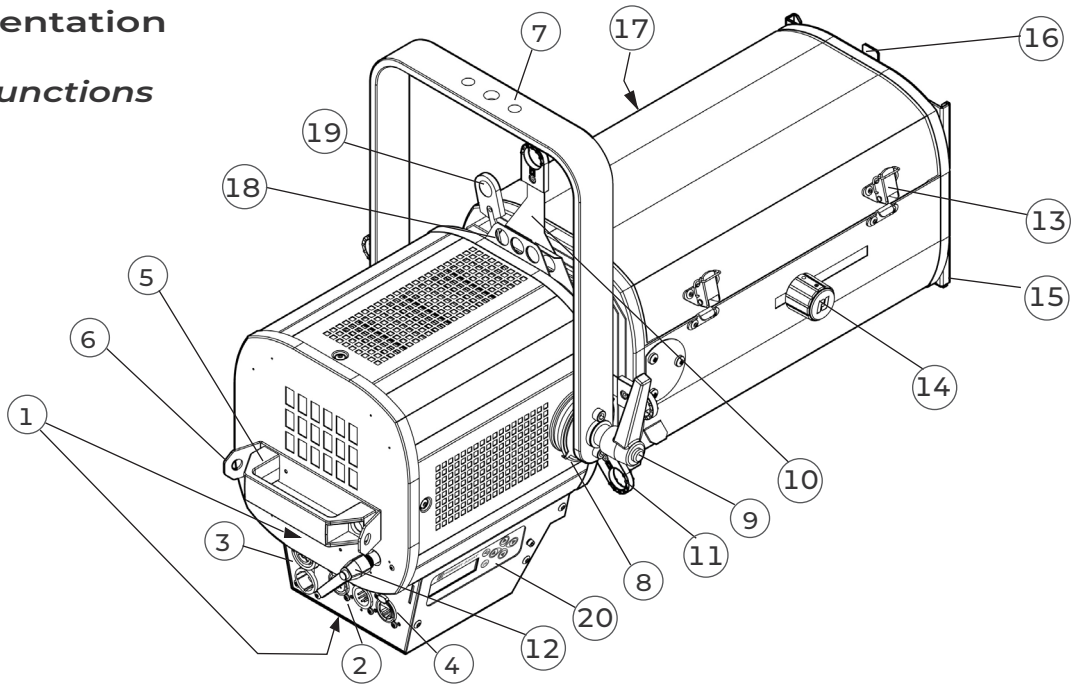
Group risk 2. Luminaires should be positioned so that prolonged staring into luminaire at a distance closer than 10,6m (651SX), 7,1m (653SX) & 11m (654SX) is not expected.

## Photobiological safety according to EN62471



## 2 Presentation

### 2.1 Functions



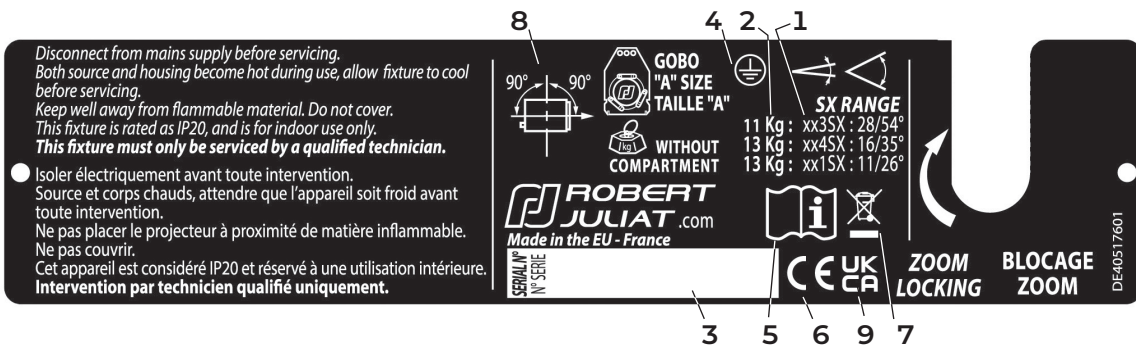
Description	
1. Identification plates	11. Shutter locking system
2. Data connector (IN and OUT)	12. Lens tube rotation locking button
3. Power connector (IN and OUT)	13. Lens tube access
4. RJ45 network connector	14. Focus adjustment
5. Handle	15. Front slot for accessories and gel frame holder
6. Safety cable attachment point	16. Front slot locking system
7. Hanging yoke	17. Zoom adjustment
8. Tilt index	18. Gobo holder
9. Tilt locking handle	19. Iris
10. Shutters	20. Local display and controls (option)

### 2.2 Identification labels

#### 2.2.1 Label on LED compartment

Description	
	<ol style="list-style-type: none"> <li>MOD.: Model</li> <li>VERS.: Version</li> <li>U: Nominal voltage input (V)</li> <li>I: Nominal intensity (A)</li> <li>P: Maximum power input (W)</li> <li>IP: International Protection Rating</li> <li>t<sup>a</sup>: Maximum ambient temperature (°C)</li> <li>t<sup>c</sup>: Maximum external temperature of the unit (°C)</li> <li>9. Net weight (kg)</li> <li>10. Minimum distance between a flammable material and the lighting unit (m)</li> <li>11. Colour temperature version</li> <li>12. Serial number</li> <li>13. Replace broken glass</li> <li>14. Class 1 product label</li> <li>15. Read manual first label</li> <li>16. European conformity label</li> <li>17. WEEE directive label</li> <li>18. CEI-TR-62778 - Do not stare at light source</li> <li>19. EN62471 - Risk group</li> <li>20. UKCA (UK Conformity Assessed) label</li> </ol>
<p><b>Units:</b></p> <ul style="list-style-type: none"> <li>- Weight = kilogram (kg).</li> <li>- Intensity = Ampere (A).</li> <li>- Voltage = Volt (V).</li> <li>- Frequency = Hertz (Hz).</li> <li>- Temperature = degree Celsius (°C).</li> </ul>	

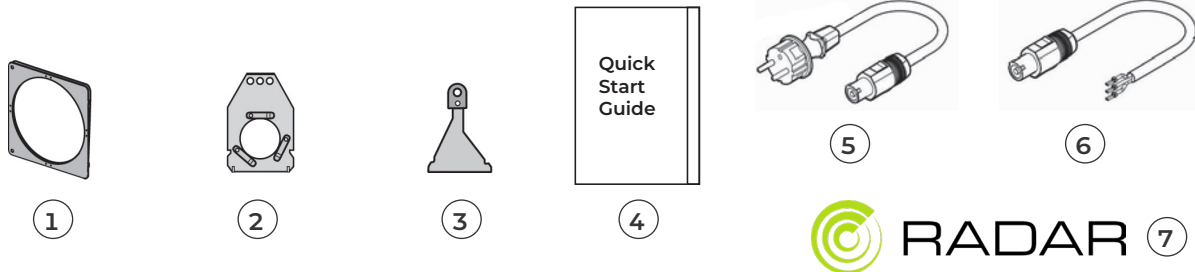
Description



1. Model beam angles
2. Net weight (kg) without LED compartment
3. Serial number
4. Class 1 product label
5. Read manual first label
6. European conformity label
7. WEEE directive label
8. Operating positions
9. UKCA (UK Conformity Assessed) label

**Units:**  
 - Weight = kilogram (kg).  
 - Intensity = Ampere (A).  
 - Voltage = Volt (V).  
 - Frequency = Hertz (Hz).  
 - Temperature = degree Celsius (°C).

2.3 Accessories included

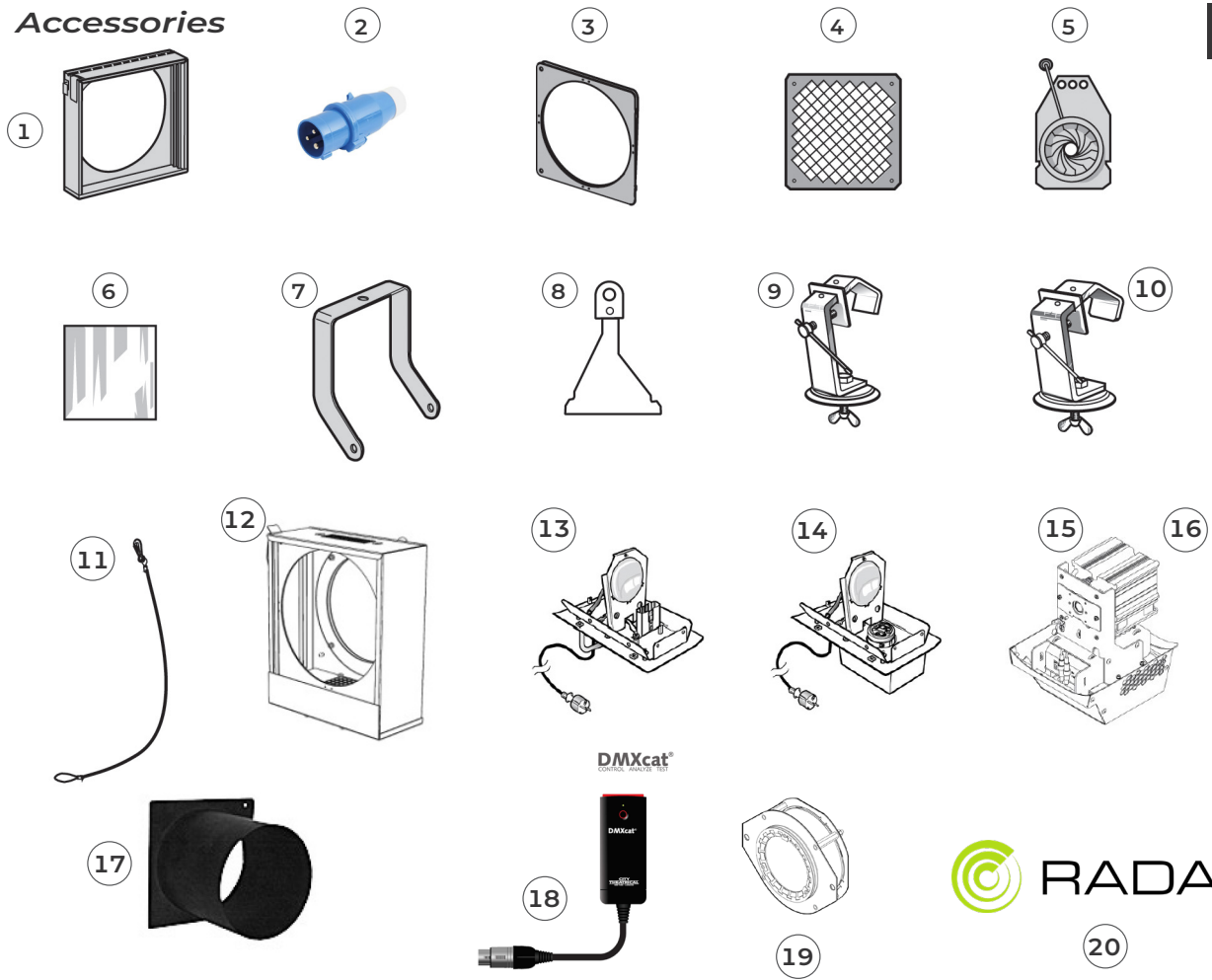


Reference	Description
1	PF500M2 180 x 180 mm (7.1 x 7.1 in) metal filter holder
2	SGUX Universal A-size gobo holder (metal, glass, frosted glass)
3	D8 Shutters (x4)
4	DN41202300 Quick Start manual
5	CAL03 3 meter power cable ( 3G1,5 HO7RNF) with Neutrik PowerCon® True1 TOP and CEE 7/7 (2P+T NF/SCHUKO) connectors (standard version)
6	CAL04 1,50m power cable UL/CSA with Neutrik PowerCon® True1 TOP connector (North American version)
7	Fusion/RJ Madrix Radar (RDM monitoring): Fusion RJ licence - access to all RDM parameters of RJ fixtures

MADRIX RADAR – more information: [www.robertjuliat.com/RDM-Tools/Madrix\\_Radar](http://www.robertjuliat.com/RDM-Tools/Madrix_Radar)

## 2.4 Accessories

EN



Reference	Description
1	CAV 600A Double slot front cassette for 180x180 mm accessories
	CAV 600AE Double slot front cassette for 185x185 mm accessories
2	PCP1716A 16A blue 2P+E 6h IEC60309 power connector
3	PF600M2 185x185 mm (7.28 x 7.28 in) metal filter holder
4	G500 180x180 mm safety grid
5	IWSX755 Drop-in iris (monoplane) with holder
6	VD 120 120x120mm frosted glass
	FO120C-1 120x120mm 1° frost optical filter
	FO120C-10 120x120mm 10° frost optical filter
	FO120C-2 120x120mm 2° frost optical filter
	FO120C-5 120x120mm 5° frost optical filter
7	FCD600 Angled yoke
8	D8 Shutter
9	876 Hook clamp 40x10 mm with 28 mm M10 screw for Ø35 to Ø50 mm pipes
10	880 Hook clamp 40 10 mm with 28 mm M10 screw for Ø50 to Ø63 mm pipes
11	CS2 Safety cable Ø3 mm (length = 600 mm)
12	RPF613 180x180 mm front extension cassette for 215x215 mm accessories without fan (recommended for dark colours on 613SX/663SX)
	RPF613E 180x180 mm front extension cassette for 245x245 mm accessories without fan (recommended for dark colours on 613SX/663SX)
13	T/600SX Lamp compartment for 1000/1200W tungsten GX9,5 lamps - 3 meter power cable with CEE 7/7 (2P+T NF/SCHUKO) connector
14	T/600VSX Lamp compartment for 1000/1200W tungsten G22 lamps with fan - 3 meter power cable with CEE 7/7 (2P+T NF/SCHUKO) connector
15	T/650SXCW SULLY 115 W LED compartment - Cool White - 3 meter power cable with CEE 7/7 (2P+T NF/SCHUKO) connector
16	T/650SXWW SULLY 115 W LED compartment - Warm White - 3 meter power cable with CEE 7/7 (2P+T NF/SCHUKO) connector
17	TH600 180 x 180 mm "Top hat" (without safety cable)
18	DMXcat Bluetooth DMX/RDM Multifunction test tool - City Theatrical DMXcat®
19	APH 68LED Double-condenser set for Led profile - Weight: 0.58 Kg

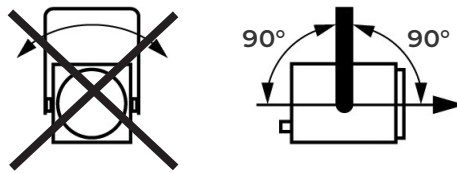
20	Fusion/S	Madrix Radar (RDM monitoring): Fusion Small licence - up to 64 non-RJ RDM fixtures - USB dongle included
	Fusion/M	Madrix Radar (RDM monitoring): Fusion Medium licence - up to 512 non-RJ RDM fixtures - USB dongle included
	Fusion/L	Madrix Radar (RDM monitoring): Fusion Large licence - up to 4096 non-RJ RDM fixtures - USB dongle included

MADRIX RADAR – more information: [www.robertjuliat.com/RDM-Tools/Madrix\\_Radar](http://www.robertjuliat.com/RDM-Tools/Madrix_Radar)

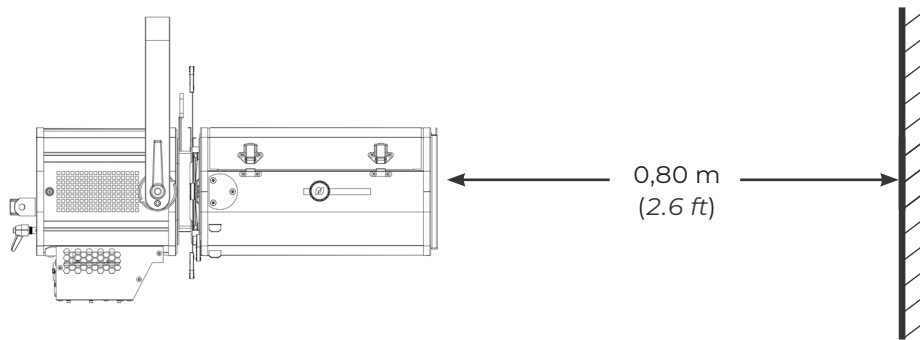
### 3 Set-up

#### 3.1 Mechanics

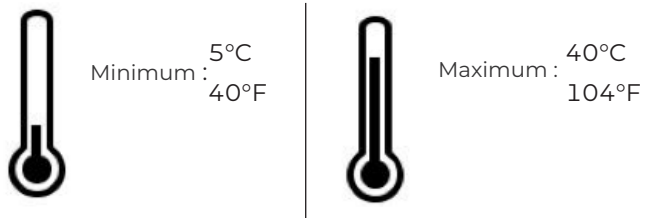
##### 3.1.1 Operating positions



##### 3.1.2 Minimum distance between a flammable material and the lighting unit



##### 3.1.3 Instructions for use



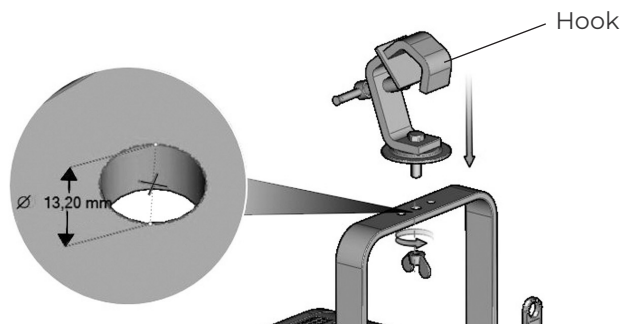
IP20 - Indoor use only

##### 3.1.4 Hanging

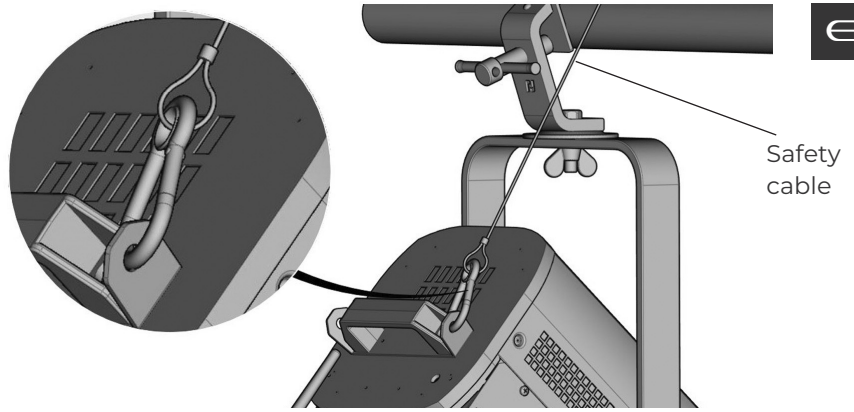
- Ensure fixture is correctly mounted on an appropriate support

**Net weight:**

- 653SX = 12.2 kg (26.8 lbs)
- 654SX = 13.6 kg (29.9 lbs)
- 651SX = 13.9 kg (30.6 lbs)



3.1.5 Safety cable



- When hung or flown the fixture must be secured by an additional hanging accessory (such as a safety bond or cable) of suitable length.
- The combined weight of both the fixture and the accessories must be considered when choosing the load-bearing capability of safety cable or bond.
- Safety cables or bonds must be securely attached to the back of the fixture and be as short as possible, or rolled up as necessary, to minimise travel distance should the fixture be dislodged.

3.2 Electrical information

3.2.1 LED source



Never touch or scratch the LED surface.  
See 6.1.4 LED cleaning procedure if cleaning is necessary.

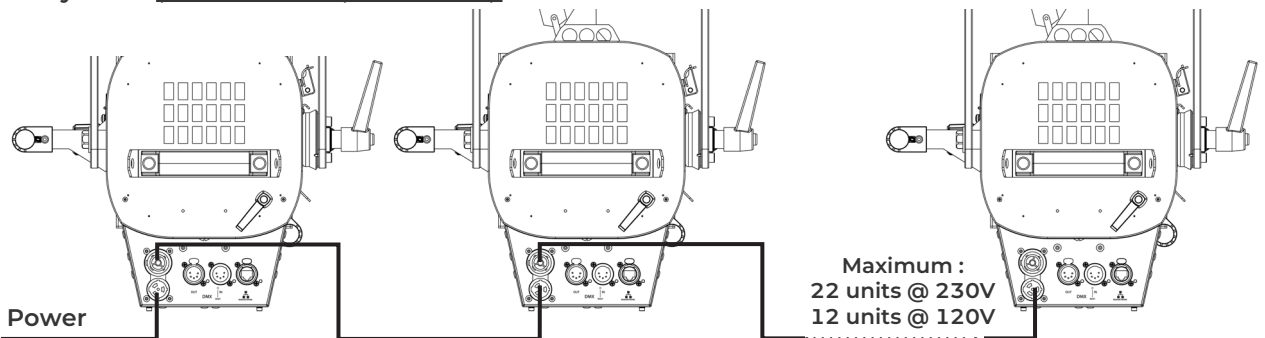
3.2.2 Power supply

Power supply			
Voltage	Frequency	Input power	Connectors
90 → 277 V	50-60 Hz	0,7 A / 130 W @ 230V 1,15 A / 135 W @ 120V 1,4 A / 135 W @ 100V Max: 1,5A Standby mode: 10W	Neutrik powerCON TRUE1 TOP Input : ref. NAC3FPX-TOP



- Class 1 product. This luminaire must be earthed.
- Must be connected directly to AC power. **Do not connect to dimmer power.**
- Automatic mains voltage detection.

Daisy chain (with delivered power cable):



Maximum :  
22 units @ 230V  
12 units @ 120V

**Power cable**

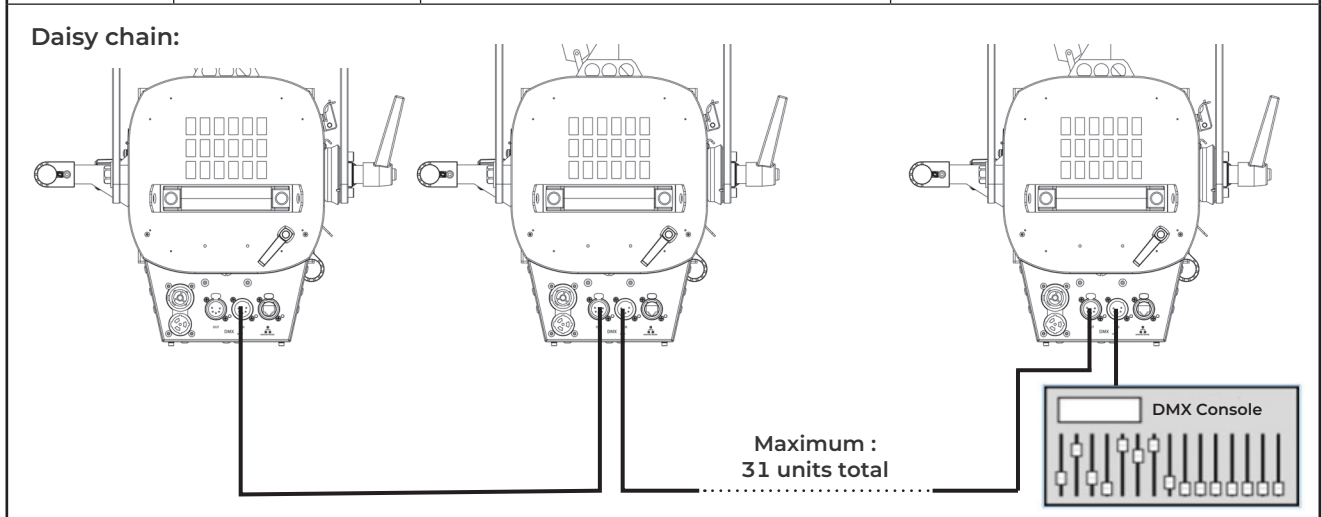
Power cable		Connector	Mains plug	Cable type	Cable length	Wiring
1	Standard version	Neutrik® powerCON TRUE1 TOP NAC3FX-W-TOP	CEE7/7	3G1.5 H07RNF	3 m 9.8 ft	Live: Brown Neutral: Blue Ground: Yellow/Green
2	North American version		-	14AWG SJ TYPE (UL/CSA)	1.5 m 4.9 ft	Live: Black Neutral: White Ground: Green

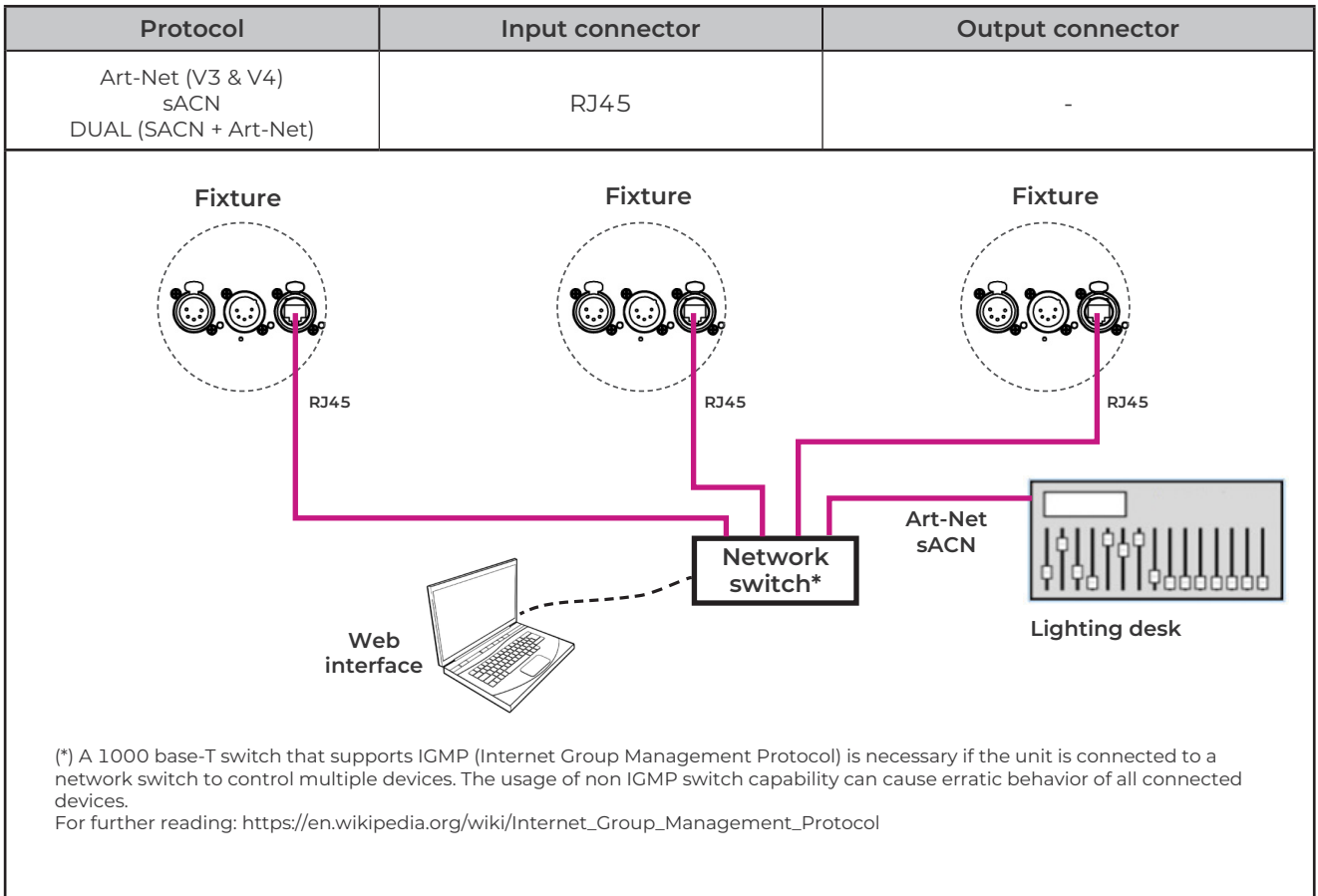
### 3.3 DATA

#### 3.3.1 DMX 512-A / RDM

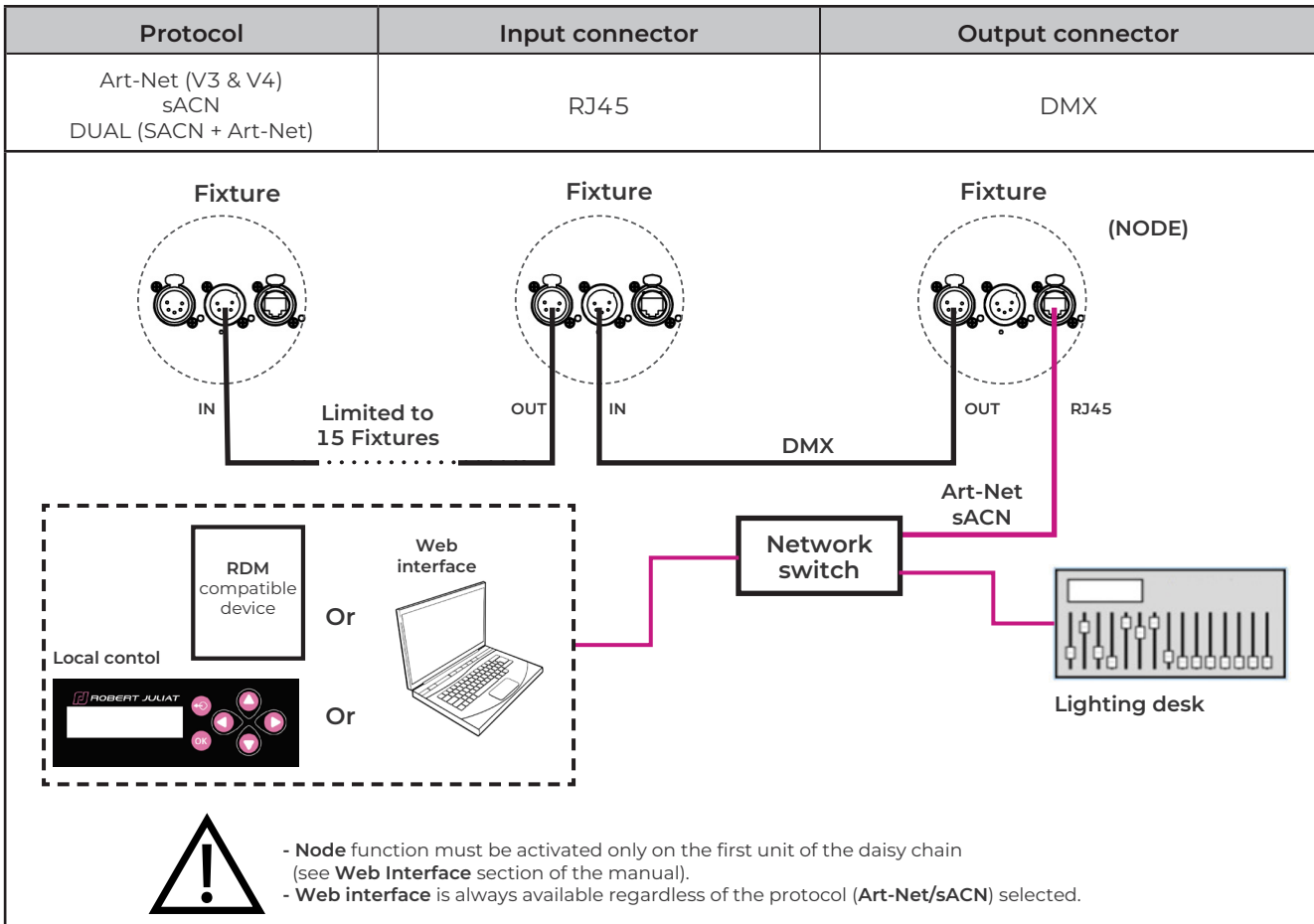
Protocol	Input connector	Output connector
USITT DMX 512-A RDM	XLR 5-pin	XLR 5-pin

DATA connectors			
PIN #	DMX	Description	
1	Shielding	Foil & Braided Shield	
2	DMX (-)	1st conductor of 1st twisted pair	
3	DMX (+)	2nd conductor of 1st twisted pair	
4	Not used	1st conductor of 2nd twisted pair	
5	Not used	2nd conductor of 2nd twisted pair	





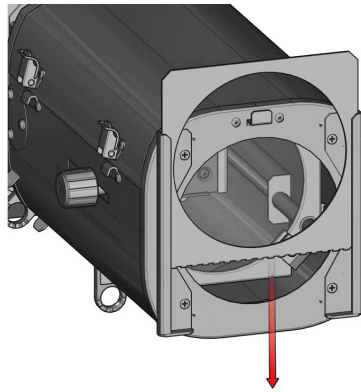
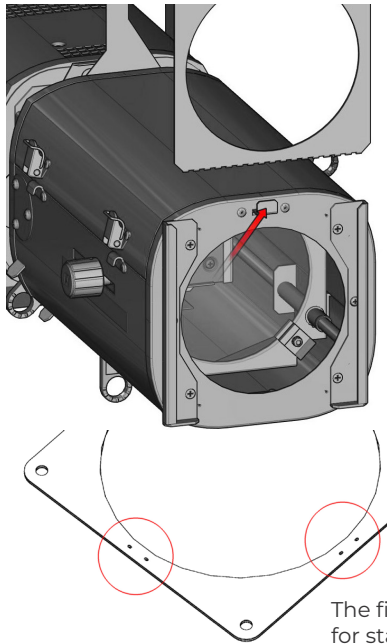
3.3.3 Ethernet / DMX node / DUAL



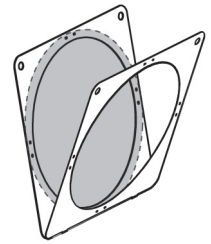
RJ-LED2 FIRMWARE PLATFORM (Node Mode) full manual is available for download at [www.robertjuliat.com/LED/PDF\\_PAGE](http://www.robertjuliat.com/LED/PDF_PAGE)

### 3.4 Accessories

#### 3.4.1 Front filter holder

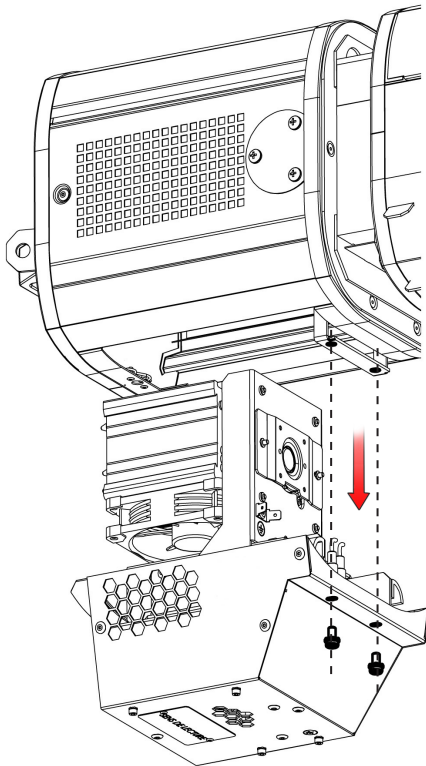


For filter dimensions, see section 4.6



The filter holder includes perforations designed for stapling to keep the gel in position.

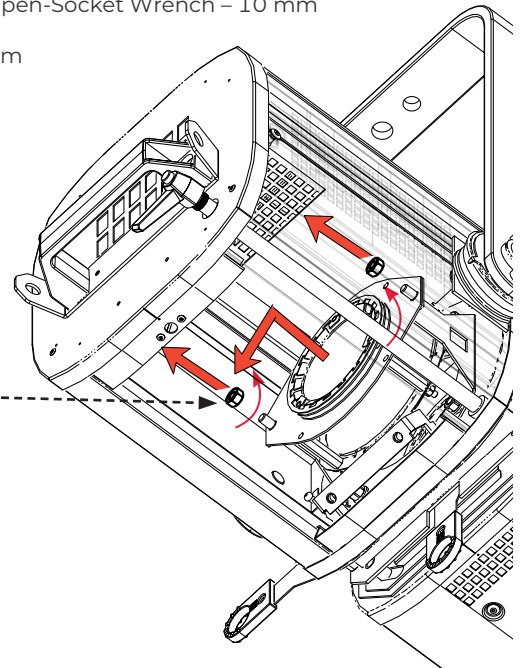
#### 3.4.2 Double-condenser set



For full procedure, see section 6.1.7

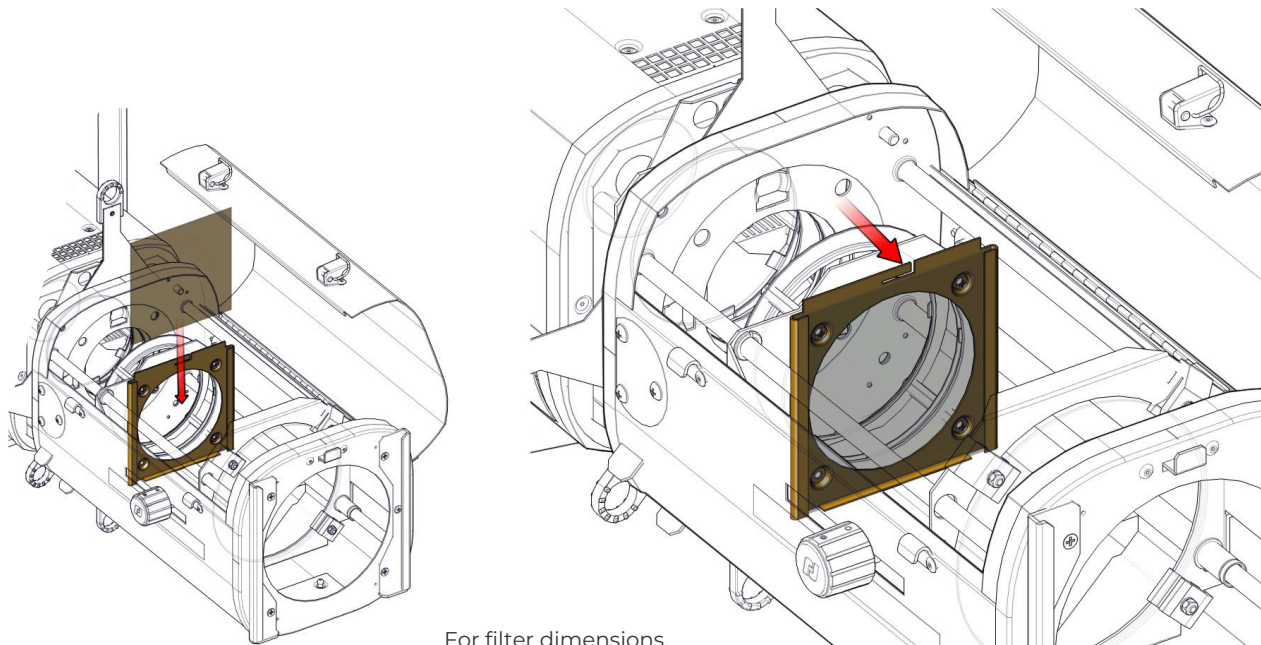
**Tools**

- 1 : Angled L- Shaped Open-Socket Wrench – 10 mm or
- 2 : Flat spanner – 10 mm



Only possible with LED version (not with halogen)

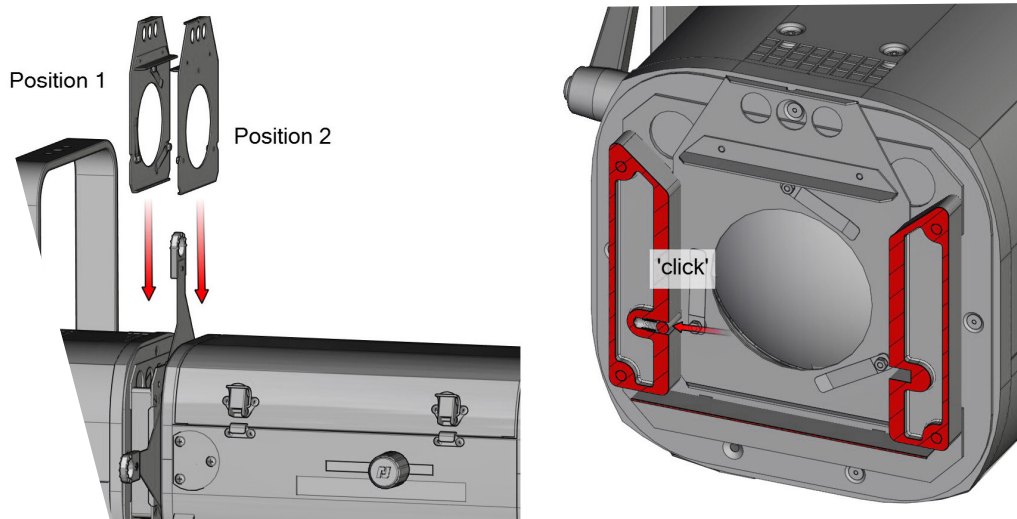
### 3.4.3 Internal filter holder



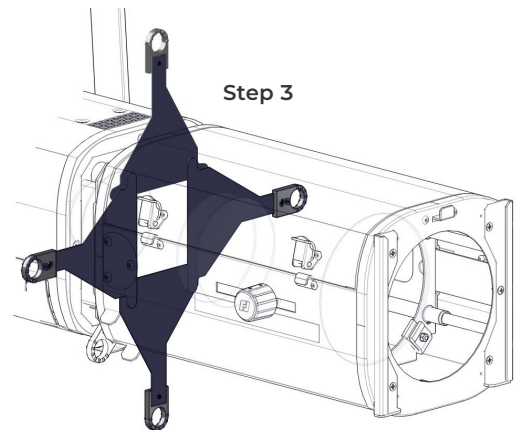
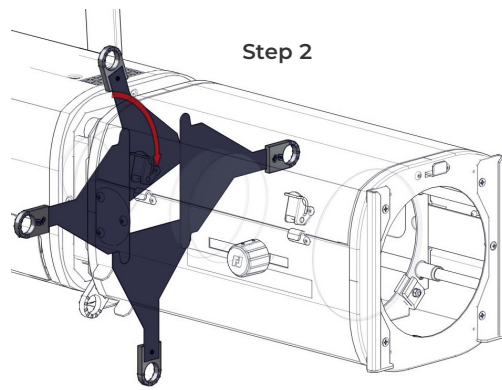
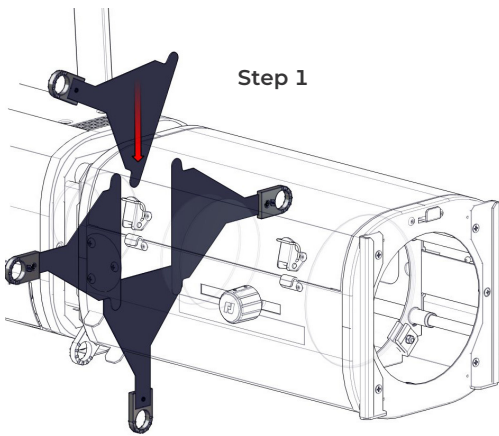
For filter dimensions,  
see section 4.6

### 3.4.4 Gobo holder / Iris

For gobo dimensions,  
see section 4.9



### 3.4.5 Shutters



Beam size adjustment  
see section 4.7

4.1 Light intensity

4.1.1 Range



4.1.2 Control

DMX512-A  
DMX Console

→ Remotely with DMX512-A / Art-Net / sACN / Dual protocols

RDM  
RDM compatible device  
or  
Web interface

→ Set through standalone mode and the RDM protocol or web interface  
See 5.3 Home Values

ROBERT JULIAT

(\*) If equipped with this option

→ Locally\* via Standalone mode  
See 5.3 Home Values

**Focus mode:** when standby screen displayed,  
 Push Exit or the upper arrow button for 3 secs → Light output = 100% for 1 minute  
 2x times Exit or the upper arrow button → Light output = 0%

4.1.3 Parameters

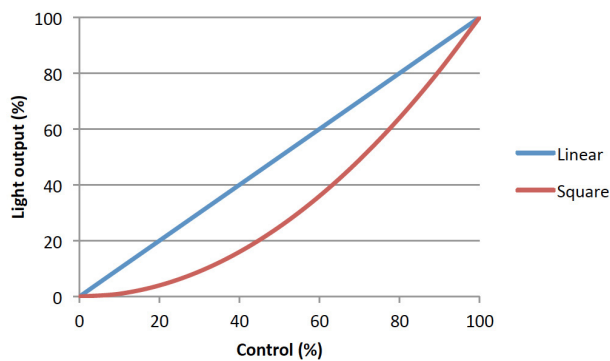
4.1.3.1 Dimming resolution - DMX only

→ Set through RDM protocol, web interface or local control

Resolution	DMX mode
8 bits – 255 steps	1 - 3
16 bits – 65 535 steps	2 - 4

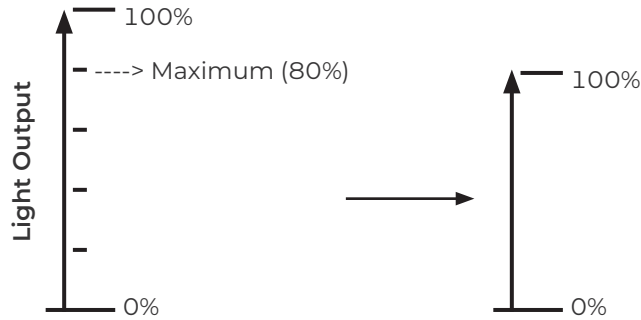
4.1.3.2 Dimming curve

→ Set through RDM protocol, web interface or local control



4.1.3.3 Set maximum position

→ Set through RDM protocol, web interface or local control



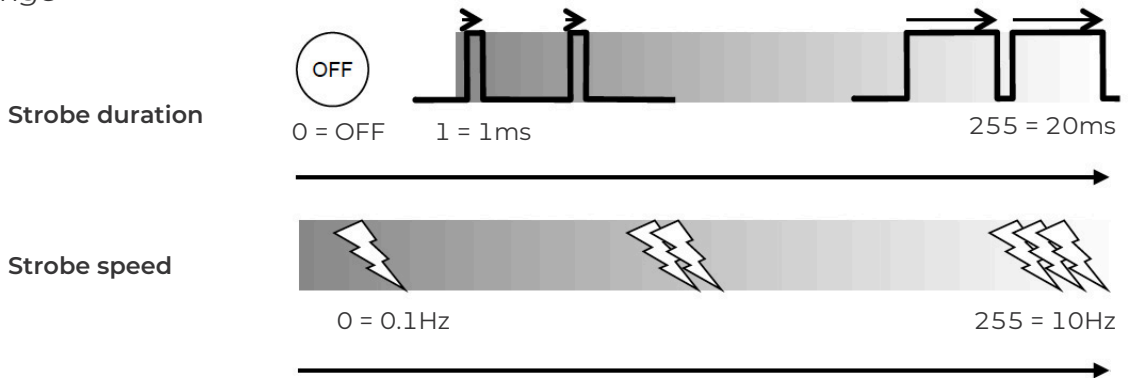
4.1.3.4 Dimming mode

→ Set through RDM protocol, web interface or local control

Mode	Result
Without PWM	Flicker-Free, perfect for filming
PWM 17 kHz	Good dimming quality (Default Value)
PWM 3,2 kHz	Very good dimming

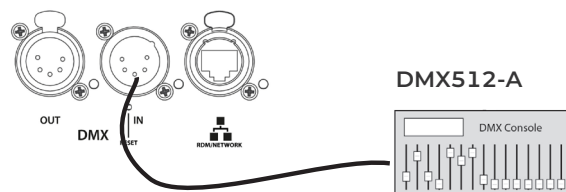
4.2 Strobe

4.2.1 Range



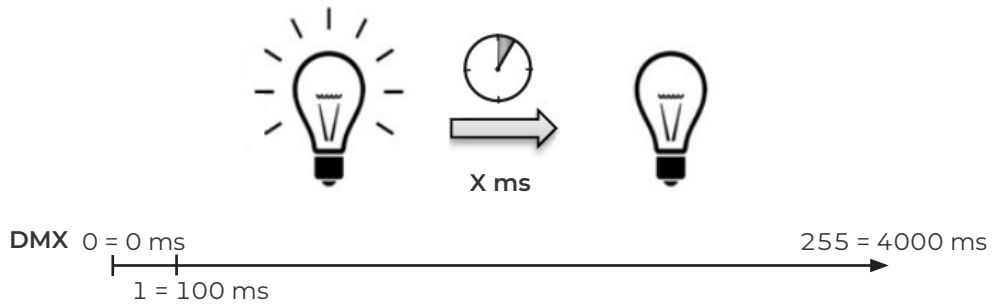
4.2.2 Control

→ Remotely with DMX512-A / Art-Net / sACN / Dual protocols.  
Mode 2 – 4

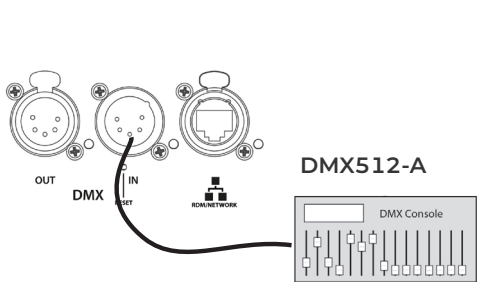


## 4.3 Response time

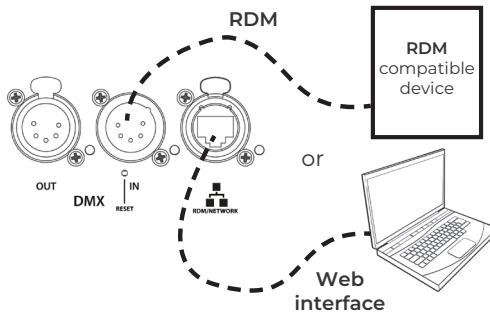
### 4.3.1 Range



### 4.3.2 Control



Remotely, with DMX512-A / Art-Net / sACN / Dual protocols Mode 2 - 4 only



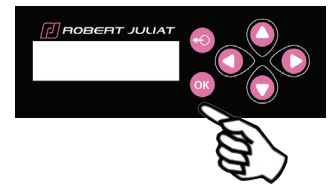
→ Set through RDM protocol or web interface

Mode 1 - 3

Mode	Speed
RAW	OFF
SLOW	700 ms
MEDIUM	470 ms
FAST	350 ms
CUSTOM	0 - 4000 ms

see 5.3 Home Values

Locally\*



(\* ) If equipped with this option

→ selection in SETUP/DIMMER/RESPONSE TIME

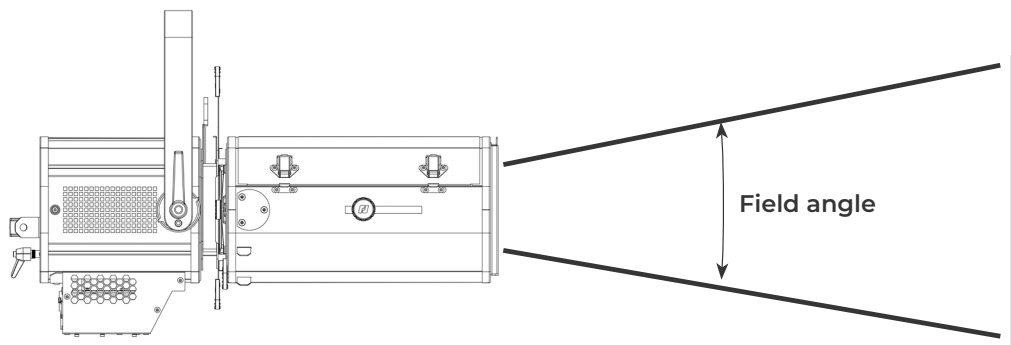
Mode 1 - 3

Mode	Speed
RAW	OFF
SLOW	700 ms
MEDIUM	470 ms
FAST	350 ms
CUSTOM	0 - 4000 ms

see 5.3 Home Values

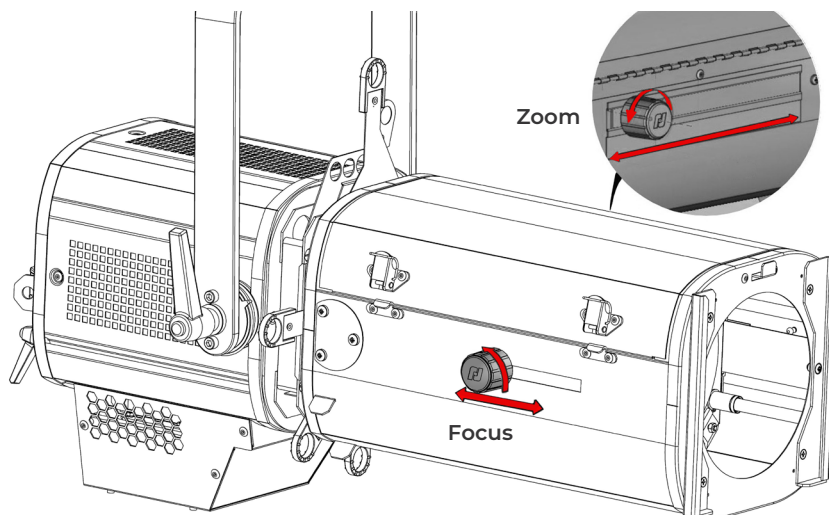
## 4.4 Beam size adjustment

### 4.4.1 Range



Model	Minimum angle	Maximum angle
653SX / 653CSX	28°	54°
654SX / 654CSX	16°	35°
651SX / 651CSX	11°	26°

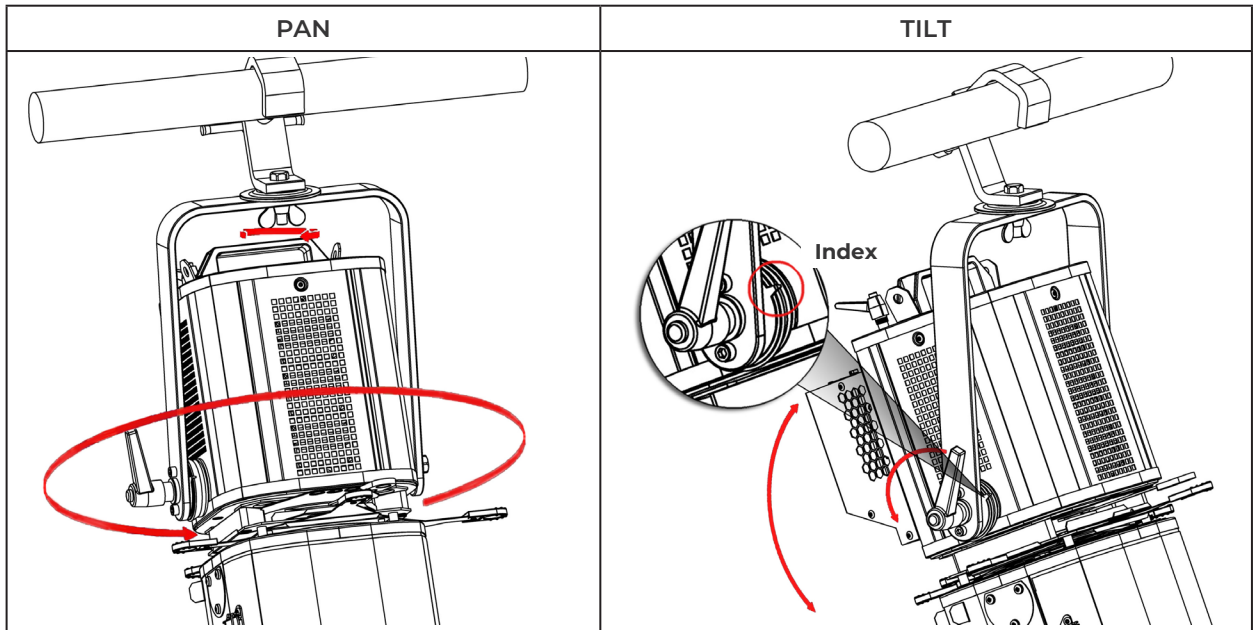
### 4.4.2 Control



## 4.5 Orientation

### 4.5.1 Range

Function	Range
PAN	0 → 360°
TILT	 TU = 0 → 63° TD = 0 → 90°



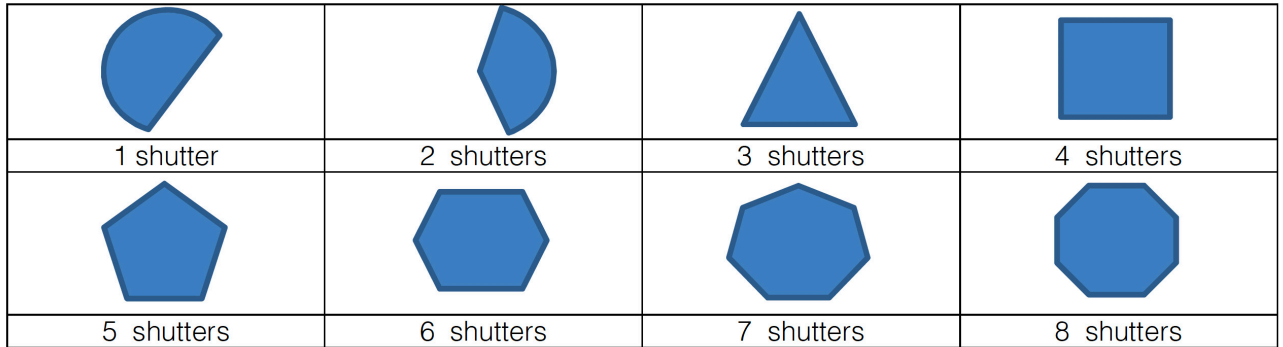
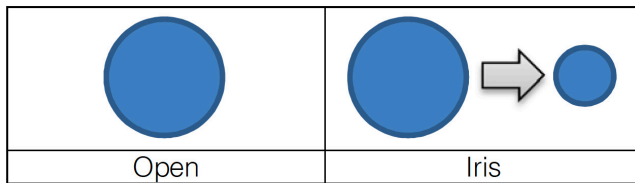
4.6 Colour

Fixed colour:

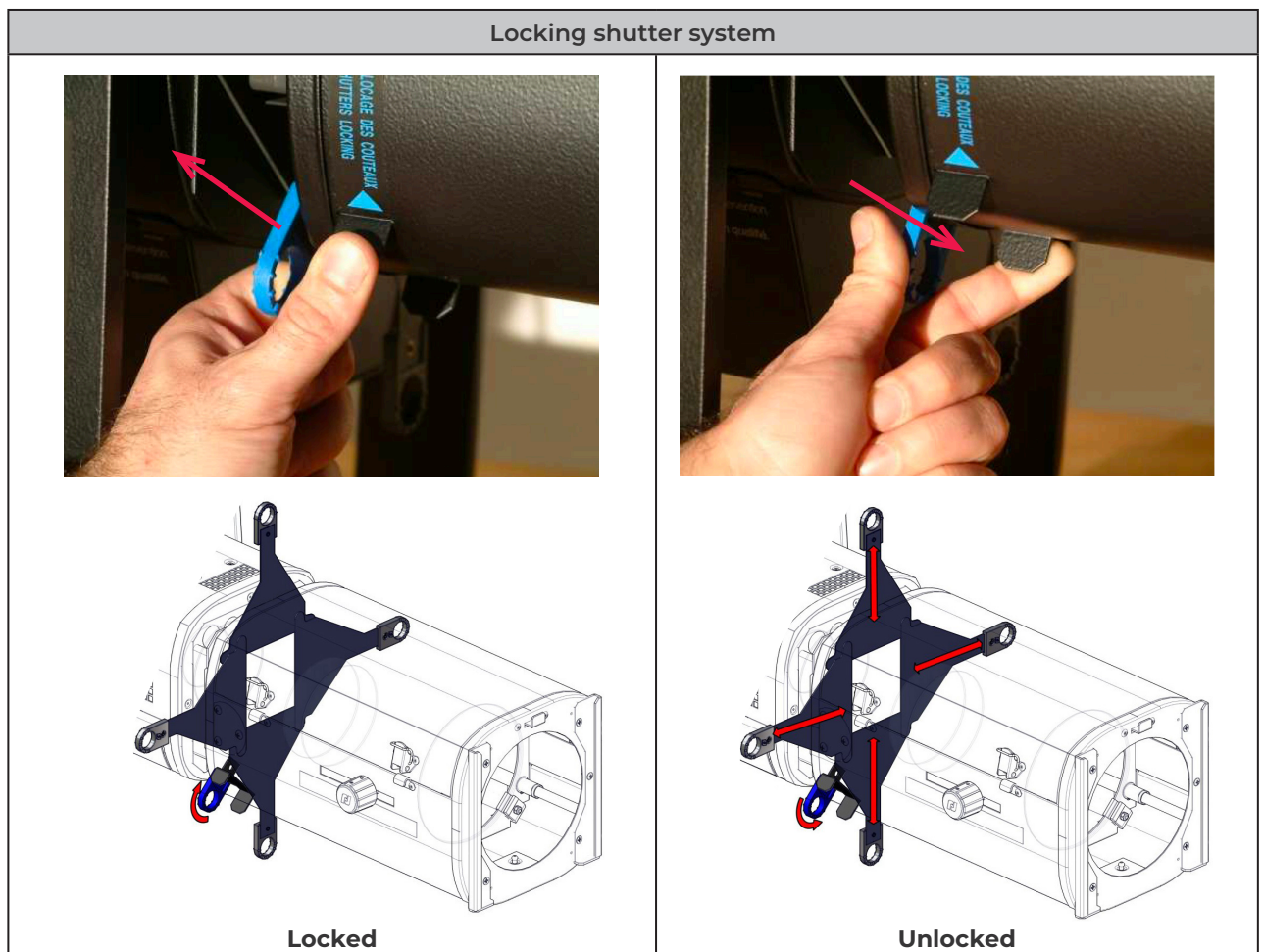
<p>Location</p>		
	<p>1. Front filter holder</p>	<p>2. Internal filter holder</p>
<p>Type</p>	<p>Standard coloured gel filter</p>	<p>Frosted or dichroic glass</p>
<p>Dimensions</p>		
<p>Installation</p>	<p>See 3.4.1</p>	<p>See 3.4.3</p>

## 4.7 Beam shaping

### 4.7.1 Range





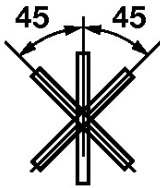
### 4.7.2 Control



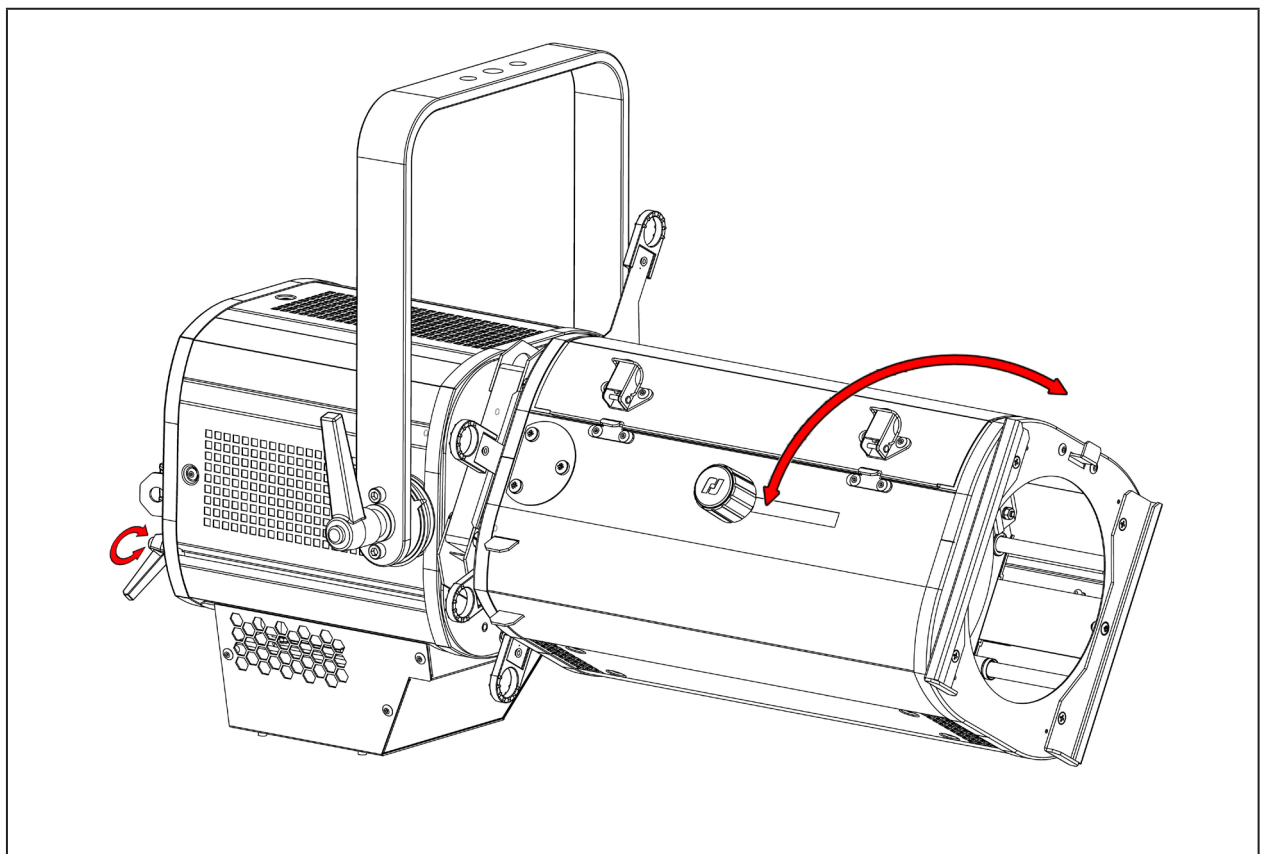
See 3.4 Accessories for gobo, iris and additional shutters installation

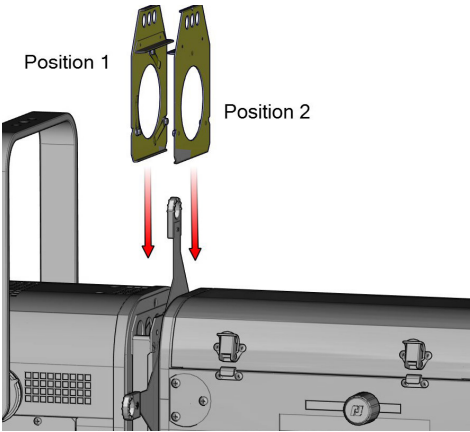
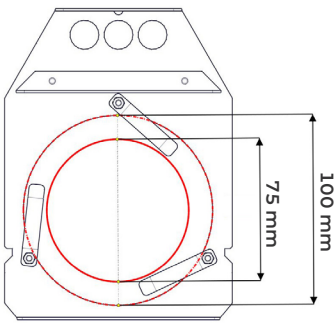
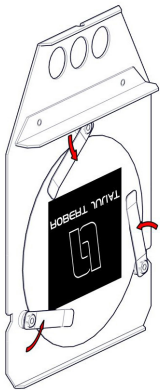
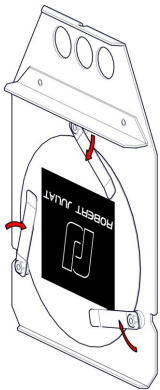
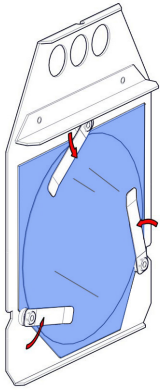
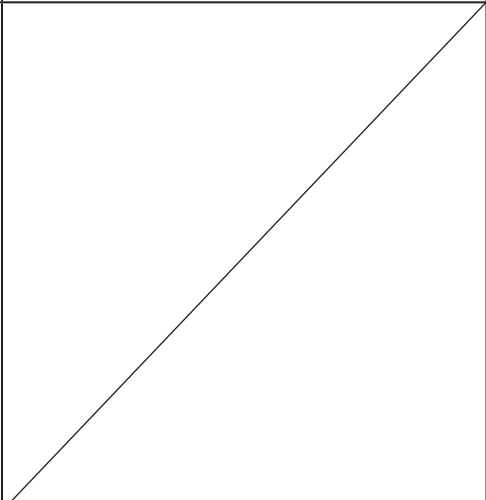
## 4.8 Beam rotation

### 4.8.1 Range

Function		Range
		
Gobo	Shutters	

### 4.8.2 Control

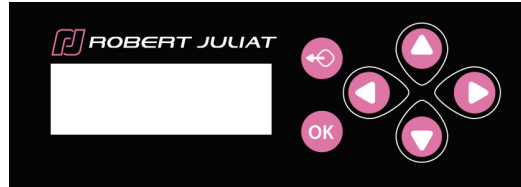









<p>Location</p>		
<p>Type</p>	<p>Metal / Glass</p>	
	<p>A-size</p> 	
<p>Gobo installation</p>	<p>Position 1</p> 	<p>Position 2</p> 
<p>Optical filter installation</p>	<p>Position 1</p> 	

## 5 Controls and parameters

### 5.1 Local display and controls\*




#### 5.1.1 Display

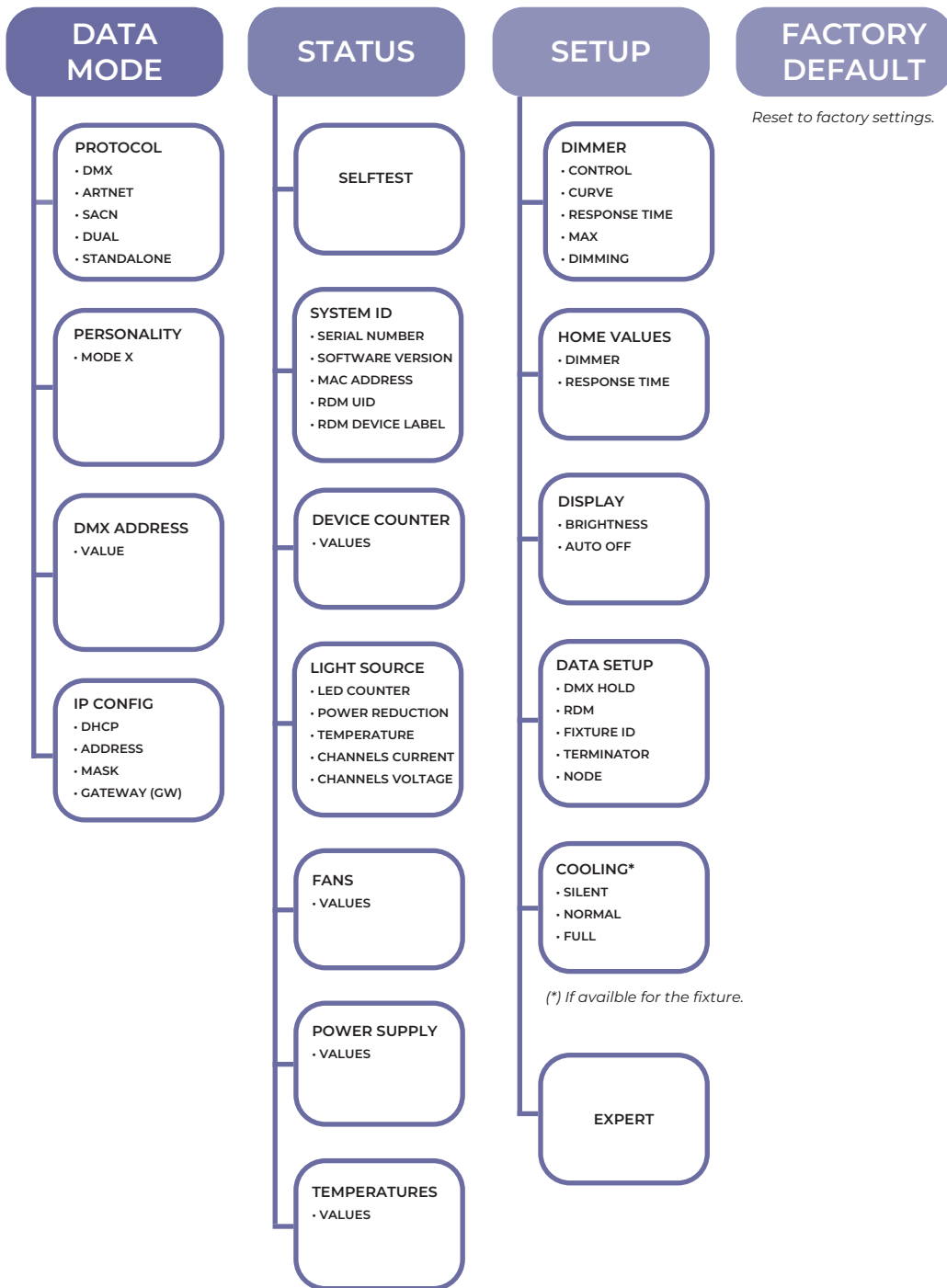


Function	
	Exit the current menu option and/or go back
	Long press for 3 seconds => Access Focus mode
	Enter the current menu option and/or valid
	Scroll through menus and/or Increase data value
	Scroll through menus and/or Decrease data value
	Scroll through menus and/or Increase data value
	Scroll through menus and/or Decrease data value

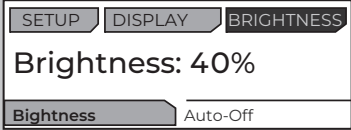
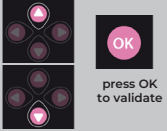
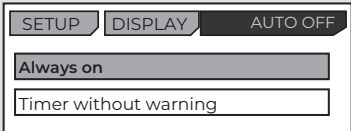
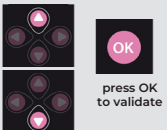
(\*) If equipped with this option

#### 5.1.2 Home screen

Display	Mode	Description
DUAL : NO                      HOLD LAST <b>NO DMX</b> DIMMER: 00	Home	Main display (home screen)
Diagnostic Nothing to report	 x1 push	Diagnostics
Link status : NOK    DHCP : OFF IP            192.168.000.013 MASK        255.255.255.000 GW           192.168.000.001	 x1 push	Network information
<b>FOCUS MODE</b> Remaining... 59s	 Press 3 secs.	Focus mode



→ Selection in menu: **SETUP / DISPLAY**

Display	Function	Description
	<p><b>Brightness</b></p>	<p>Adjust the intensity of the screen</p> <p>To change value, press buttons:</p> 
	<p><b>Auto-OFF</b></p>	<p>To keep the main display (home screen) always ON, select :</p> <p><b>Always ON</b>                      Timer without warning                      Timer with warning</p> <p>Main display turns OFF after 20 seconds</p> 

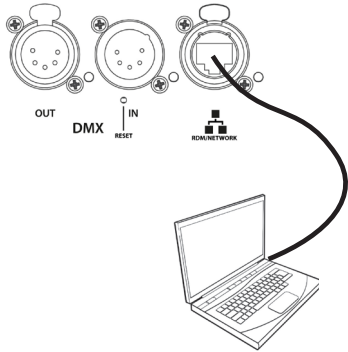
## 5.2 DMX512 - A remote control

### 5.2.1 Protocol

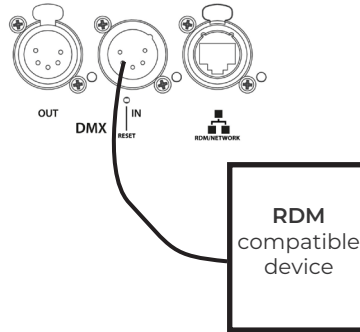
E1.11 - 2008, USITT DMX512-A

### 5.2.2 Configuration

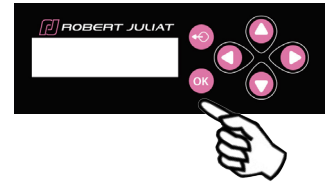
Set mode through web interface  
(see 5.9 Web interface)



Set mode through RDM protocol



Local control

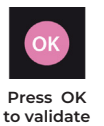
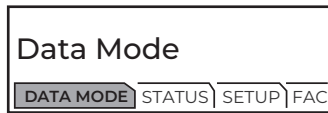


1 - Set DMX address  
2 - Set personality mode (see 5.2.4. DMX chart)

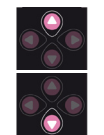


**Caution:**

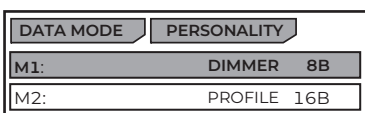
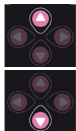
Activate DMX in protocol mode beforehand.



DMX address of the unit from 1 to 512



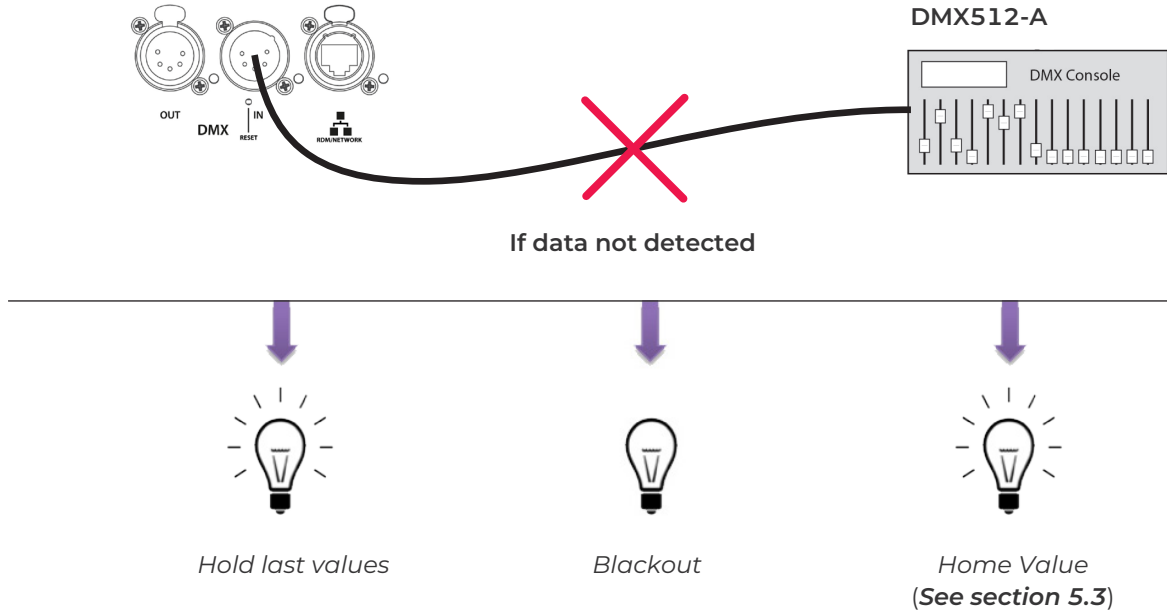
Selection of the unit personality



5.2.3 Parameters

5.2.3.1 DMX Hold

➔ Selection in **SETUP / Data Setup / DMX HOLD** menu



5.2.3.2 Fixture ID

➔ Selection in **SETUP / DATA SETUP / FIXTURE ID** menu

Fixture ID can be set through **web interface** or **RDM protocol** or **local control**

Each unit can be identified by a Fixture ID number  
 – Once defined, the Fixture ID is displayed on the Home screen.

Example: Installation with 6 units						
Home screen information	ID1 @ 101	ID2 @ 123	ID3 @ 145	ID4 @ 167	ID5 @ 189	ID6 @ 211
Fixture ID	1	2	3	4	5	6
DMX address	101	123	145	167	189	211

5.2.3.3 Terminator

**Mode: Auto**

A resistor of 120R is automatically connected to terminate the DMX line as the RS485 standard specifies.

5.2.3.4 Node

On sACN/ArtNet/Dual mode we have the possibility to transmit a DMX/RDM signal protocol on the DMX port (Output). The selection can be done through the menu/Webpage/RDM.

On Dual mode (sACN/ArtRdm) the node feature is automatically selected.

## 5.2.4 DMX chart

DMX Channel	Mode 1: Dimmer 8B	Mode 2: Dimmer 16B	Mode 3: Profile 8B	Mode 4: Profile 16B
1	Dimmer	Dimmer	Dimmer	Dimmer
2		Dimmer fine	Strobe duration	Dimmer fine
3			Strobe speed	Strobe duration
4			Response time	Strobe speed
5			Control mode	Response time
6				Control mode

## 5.2.5 DMX ranges

### 5.2.5.1 Strobe duration

Range min	Range max	Function
0	0	Strobe OFF
1	255	Strobe ON - 1 ms → 20 ms

### 5.2.5.2 Strobe speed

Range min	Range max	Function
0	255	Frequency: 0,1 Hz → 10 Hz

### 5.2.5.3 Response time

Range min	Range max	Function
0	0	OFF
1	255	Response time: 0,1 s → 4 s

## 5.2.5.4 Control mode\*

Range min	Range max	Function
0	0	-
1	10	RDM OFF
11	20	RDM ON
21	30	Fixture Reset
31	40	Dimmer Curve Linear
41	50	Dimmer Curve Square
51	60	Not used
61	70	Not used
71	80	Not used
81	90	Not used
91	100	Not used
101	110	Cooling mode: Silent
111	120	Cooling mode: Normal
121	130	Cooling mode: Full power
131	255	Not used

(\*) Function activated after 5 seconds - needs to go back to zero to activate second function.

5.2.6.1 Protocol

ANSI E1.20 – 2010 / ANSI E1.37 - 1

For more information about RDM protocol: <http://www.rdmprotocol.org/>

5.2.6.2 Functions

PID	Description	Standard	Get	Set	Queued_Message	Ack_Timer	VERSION 5.00
<b>Network Management</b>							
00 01	DISCOVERY_UNIQUE_BRANCH	E1.20					✓
00 02	DISCOVERY_MUTE	E1.20		✓			✓
00 03	DISCOVERY_UNMUTE	E1.20		✓			✓
00 15	COMMUNICATION_STATUS	E1.20	✓	✓			✓
<b>Status Collection</b>							
00 20	QUEUED_MESSAGE	E1.20	✓				✓
00 30	STATUS_MESSAGES	E1.20	✓				✓
00 31	STATUS_ID_DESCRIPTION	E1.20	✓				✓
00 32	CLEAR_STATUS_ID	E1.20		✓			✓
00 33	QUEUED_MESSAGE_SENSOR_SUBSCRIBE	E1.20-2023	✓	✓			
<b>RDM Information</b>							
00 50	SUPPORTED_PARAMETERS	E1.20	✓				✓
00 51	PARAMETER_DESCRIPTION	E1.20	✓				✓
<b>Product Information</b>							
00 60	DEVICE_INFO	E1.20	✓			✓	✓
00 70	PRODUCT_DETAIL_ID_LIST	E1.20	✓				✓
00 80	DEVICE_MODEL_DESCRIPTION	E1.20	✓				✓
00 81	MANUFACTURER_LABEL	E1.20	✓				✓
00 82	DEVICE_LABEL	E1.20	✓	✓	✓	✓	✓
00 90	FACTORY_DEFAULTS	E1.20	✓	✓		✓	✓
00 C0	SOFTWARE_VERSION_LABEL	E1.20	✓			✓	✓
00 C2	BOOT_SOFTWARE_VERSION_LABEL	E1.20	✓				✓
<b>DMX512 Setup</b>							
00 E0	DMX512_PERSONALITY	E1.20	✓	✓	✓	✓	✓
00 E1	DMX512_PERSONALITY_DESCRIPTION	E1.20	✓				✓
00 F0	DMX512_STARTING_ADDRESS	E1.20	✓	✓	✓	✓	✓
01 20	SLOT_INFO	E1.20	✓				✓
01 21	SLOT_DESCRIPTION	E1.20	✓				✓
<b>Sensors</b>							
02 00	SENSOR_DEFINITION	E1.20	✓				✓
02 01	SENSOR_VALUE	E1.20	✓				✓
<b>Dimmer Settings</b>							
03 40	DIMMER_INFO	E1.37-1	✓				✓
03 42	MAXIMUM_LEVEL	E1.37-1	✓	✓	✓	✓	✓
03 43	CURVE	E1.37-1	✓	✓	✓	✓	✓
03 44	CURVE_DESCRIPTION	E1.37-1	✓				✓
03 45	OUTPUT_RESPONSE_TIME	E1.37-1	✓	✓	✓	✓	✓
03 46	OUTPUT_RESPONSE_TIME_DESCRIPTION	E1.37-1	✓				✓
03 47	MODULATION_FREQUENCY	E1.37-1	✓	✓	✓	✓	✓
03 48	MODULATION_FREQUENCY_DESCRIPTION	E1.37-1	✓				✓
<b>Power / Lamp Settings</b>							
04 00	DEVICE_HOURS	E1.20	✓				✓
04 01	LAMP_HOURS	E1.20	✓	✓			✓
<b>Display Settings</b>							
05 01	DISPLAY_LEVEL	E1.20	✓	✓	✓	✓	✓

PID	Description	Standard	Get	Set	Queued_Message	Ack_Timer	SULLY 5.00
<b>Control</b>							
10	00	IDENTIFY_DEVICE	E1.20	✓	✓	✓	✓
10	01	RESET_DEVICE	E1.20		✓	✓	✓
10	20	PERFORM_SELFTEST	E1.20	✓	✓	✓	✓
10	21	SELF_TEST_DESCRIPTION	E1.20				✓
<b>RDMnet Management</b>							
07	00	LIST_INTERFACES	E1.37-2	✓			✓
07	01	INTERFACE_LABEL	E1.37-2	✓			✓
07	02	INTERFACE_HARDWARE_ADRESS_TYPE1	E1.37-2	✓			✓
07	03	IPV4_DHCP_MODE	E1.37-2	✓	✓	✓	✓
07	05	IPV4_CURRENT_ADDRESS	E1.37-2	✓		✓	✓
07	06	IPV4_STATIC_ADDRESS	E1.37-2	✓	✓		✓
07	09	INTERFACE_APPLY_CONFIGURATION	E1.37-2		✓		✓
07	0A	IPV4_DEFAULT_ROUTE	E1.37-2	✓	✓	✓	✓
07	0B	DNS_IPV4_NAME_SERVER	E1.37-2	✓	✓	✓	✓
<b>PID Manufacturer</b>							
85	58	SELFTEST_RESULT	E1.20	✓			✓
85	59	CURRENT_IP_ADDRESS	E1.20	✓		✓	✓
85	5A	CURRENT_NETMASK	E1.20	✓		✓	✓
85	5B	CURRENT_DRIVER_STATUS	E1.20	✓		✓	✓
85	5C	CUSTOM_RESPONSE_TIME_DESCRIPTION	E1.20	✓			✓
85	5D	CUSTOM_RESPONSE_TIME_VALUE	E1.20	✓	✓	✓	✓
85	60	DATA_MODE_DESCRIPTION	E1.20	✓			✓
85	61	DATA_MODE_VALUE	E1.20	✓	✓	✓	✓
85	62	STANDALONE_VALUE_DESCRIPTION	E1.20	✓			✓
85	63	STANDALONE_VALUE	E1.20	✓	✓	✓	✓
85	64	SACN_UNIVERSE_VALUE_DESCRIPTION	E1.20	✓			✓
85	65	SACN_UNIVERSE_VALUE	E1.20	✓	✓	✓	✓
85	66	ARTNET_UNIVERSE_VALUE_DESCRIPTION	E1.20	✓			✓
85	67	ARTNET_UNIVERSE_VALUE	E1.20	✓	✓	✓	✓
85	68	SERIAL_DESCRIPTION	E1.20	✓			✓
85	69	SERIAL	E1.20	✓	✓	✓	✓
85	6A	DMX_HOLD_DESCRIPTION	E1.20	✓			✓
85	6B	DMX_HOLD	E1.20	✓	✓	✓	✓
85	6C	COMMAND_LOCK_DESCRIPTION	E1.20	✓			✓
85	6D	COMMAND_LOCK_VALUE	E1.20	✓	✓	✓	✓
85	6E	DRIVER_CALIBRATE_DESCRIPTION	E1.20	✓			✓
85	6F	DRIVER_CALIBRATE_VALUE	E1.20	✓	✓	✓	✓
85	70	NODE_DESCRIPTION	E1.20	✓			✓
85	71	NODE_VALUE	E1.20	✓	✓	✓	✓
85	72	TERMINATOR_DESCRIPTION	E1.20	✓			✓
85	73	TERMINATOR	E1.20	✓	✓	✓	✓
85	74	DMX_ERROR_COUNTER_DESCRIPTION	E1.20	✓			✓
85	75	DMX_ERROR_COUNTER	E1.20	✓	✓	✓	✓

## 5.3 Home values & Standalone

“Home values” represent a selection of parameters manually entered into the device via the keypad to produce a defined lighting effect and dimming behavior.

These Home values can be set in the following modes:

Functions *	Mode 1: Dimmer 8B	Mode 2: Dimmer 16B	Mode 3: Profile 8B	Mode 4: Profile 16B	Standalone **
Dimmer	DMX	DMX	DMX	DMX	HOME VALUE
Response Time	HOME VALUE	HOME VALUE	DMX	DMX	HOME VALUE

**If the function is not controlled by DMX, the Home value is automatically activated.**

**(\*) Functions are displayed according to the selected mode (Mode 1-2-3-4).**

- In the case of using one or more functions in Mode 1 / 2 / 3 / 4 Data mode → personality → Mode 1 / Mode 2 / Mode 3 / Mode 4

**(\*\*) Defines a standalone operating mode in the following cases:**

- As default values when used without data Data mode → Protocol → Standalone

## 5.4 Network

Our network stack can handle several flows of protocol at the same time.

Protocol always available:

- Web page to set up parameters - *See section 5.4.4*
- LLRP (Low Level Recovery Protocol) for IP network configuration - *See section 5.4.5*

A selection of Protocols dedicated to lighting:

- Art-Net V4 - *See section 5.4.1*
- sACN - *See section 5.4.2*
- Dual: Sacn + Art-RDM (DMX512 data signal + RDM) - *See section 5.4.3*

From July 2024 the Robert Juliat equipment based on RJ LED2 platform is configured as follows:

- DHCP (**D**ynamic **H**ost **C**onfiguration **P**rotocol - **RFC1531**) ON  
→ <https://www.rfc-editor.org/rfc/rfc1531>
- Zeroconf (**Z**ero-**C**onfiguration **N**etworking – **IPv4LL/APIPA – RFC3927**) ON  
→ <https://www.rfc-editor.org/rfc/rfc3927>

IP Addressing of Parameters - *See section 5.1.2*

*Default:*

- At startup, the device’s IP address is set to 000.000.000.000 with a subnet mask of 000.000.000.000
- After connecting to the network, the device awaits the assignment of an IP address and subnet mask by the DHCP server.
- If there is no DHCP server, a unique IP address and subnet mask are automatically assigned.  
IP : 169.254.XXX.XXX Mask : 255.255.0.0

Most personal computers are configured with DHCP and Zeroconf enabled, so the IP address defaults to 169.254.X.X with a subnet mask of 255.255.0.0.

When connected to a Robert Juliat device, since the IP address/mask range are in the same class, network communication works seamlessly.

This configuration was chosen to make it easier for non-IT technicians.

#### Static IP:

It's possible to configure a static IP address, but be sure to select a unique IP address with the correct subnet mask.

Configuration can be done via the Web Page, RDM, LLRP, Art-Net, or locally.

#### Default IP Address:

When DHCP mode is OFF and no static IP address has been selected, the device will default to a Class A IP address of 2.XXX.XXX.XXX with a subnet mask of 255.0.0.0.

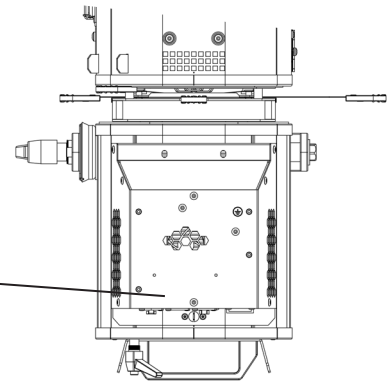
This address can be found on a label near the ID plate or by pressing the right arrow on the local control.

#### Default Settings:

DHCP = OFF

Address = 2.XXX.XXX.XXX

Mask = 255.0.0.0



#### Changing the Controlling Computer's IP Address:

- The IP address and subnet mask of both the fixture and the computer must be on the same network class.
- The computer's IP address must be different.
- Refer to your operating system's support to modify IPv4 settings:
  - Change your IP address on Windows
    - ➔ <https://support.microsoft.com/en-us/windows/change-tcp-ip-settings-bd0a07af-15f5-cd6a-363f-ca2b6f391ace>
  - Change your IP address on Mac
    - ➔ <https://support.apple.com/en-ae/guide/mac-help/mh14129/mac>

#### Example: Using the fixture's default IP address

- 1 - Computer IP address: 2.2.2.2
- 2 - Computer subnet mask: 255.0.0.0

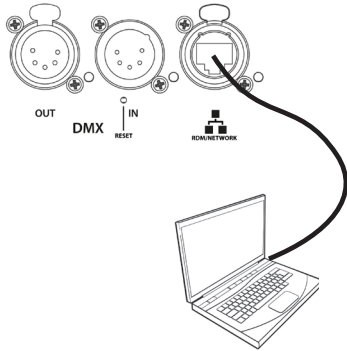
5.4.1.1 Protocol

**Artistic Licence Art-Net v4.**

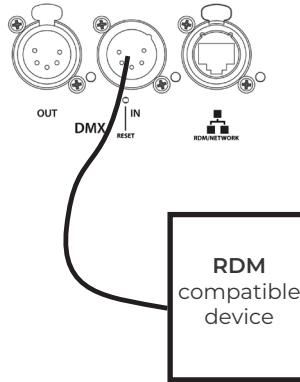
For more information about Art-Net protocol: <http://art-net.org.uk/>

5.4.1.2 Configuration

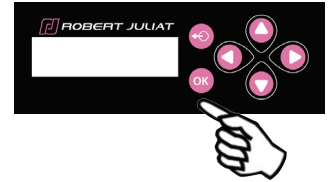
Set mode through Web interface  
(see 5.4.4 Web interface)



Set mode through RDM  
protocol



Local control\*



(\*) If equipped with this option

- 1 - If necessary, change IP settings
- 2 - Set Art-Net Universe
- 3 - Set DMX address
- 2 - Set personality mode (see 5.2.4. DMX chart)

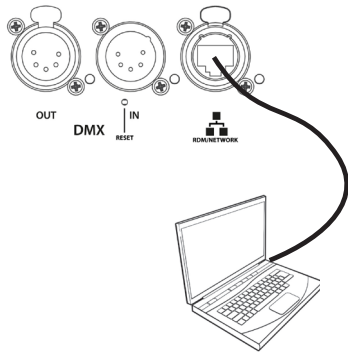


5.4.2.1 Protocol

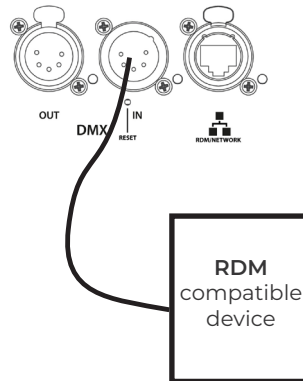
ANSI E1.31 – 2009 sACN (Streaming-ACN)

5.4.2.2 Configuration

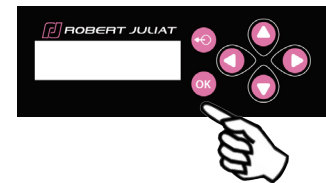
Set mode through Web interface  
(see 5.4.4 Web interface)



Set mode through RDM protocol



Local control\*

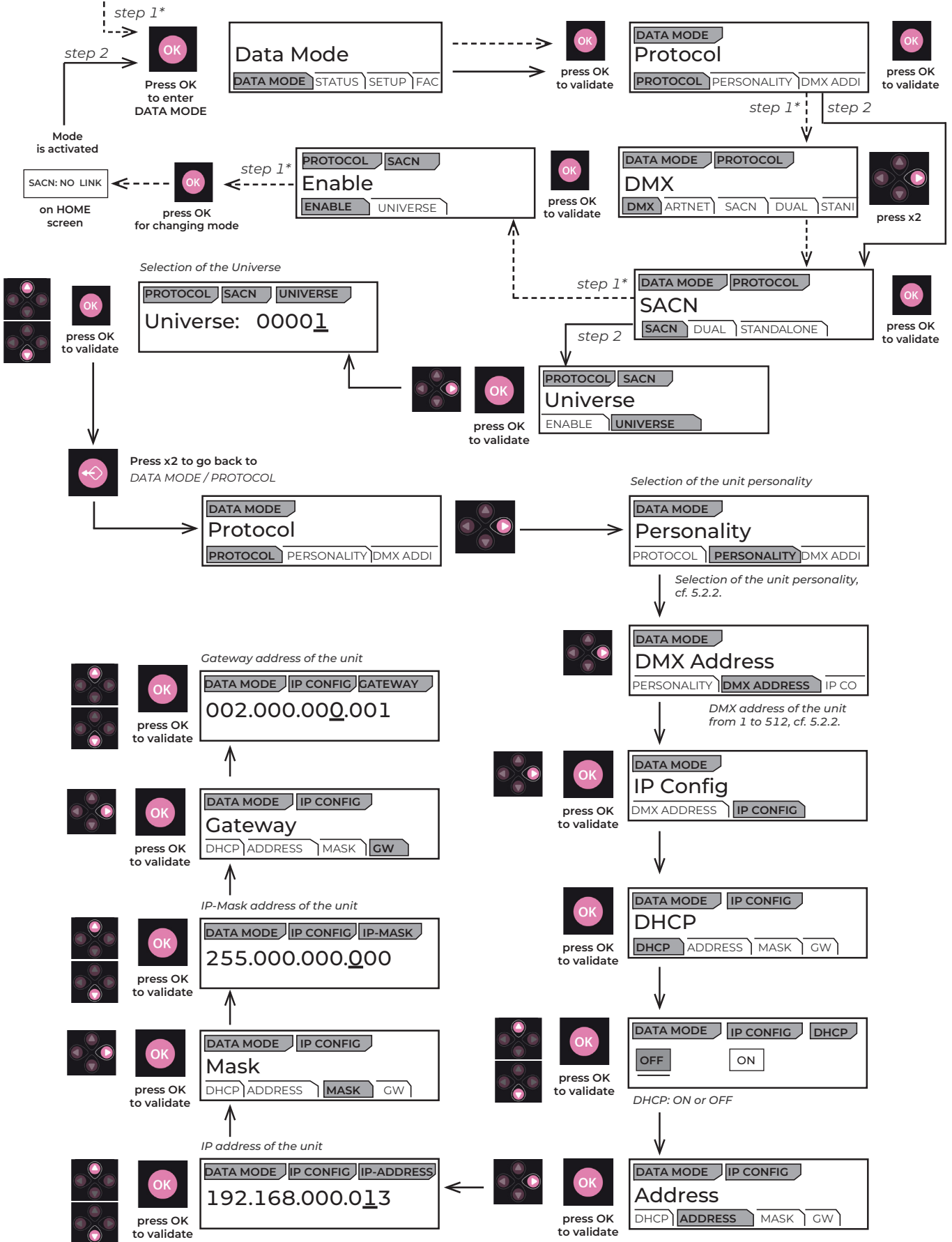


(\* If equipped with this option)

- 1 - If necessary, change IP settings
- 2 - Set sACN universe
- 3 - Set DMX address
- 2 - Set personality mode (see 5.2.4. DMX chart)



**Caution:**  
 (\*) Activate sACN in protocol mode beforehand.



5.4.3.1 Protocol

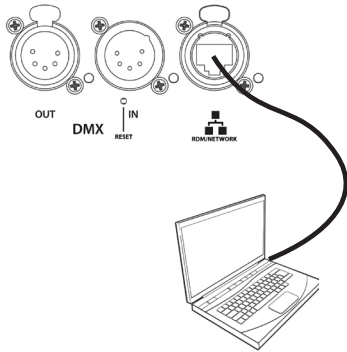
**Dual Mode: Available only on an Ethernet network**

It allows to send a DMX 512 signal through a sACN data stream and at the same time to use an Artnet/ArtRdm data stream to control, set and monitor the equipment via RDM.

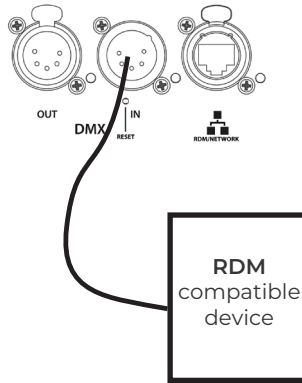
This mode can be set by Web interface or the local control screen.

5.4.3.2 Configuration

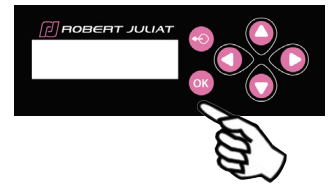
Set mode through Web interface  
(see 5.4.4 Web interface)



Set mode through RDM protocol



Local control\*



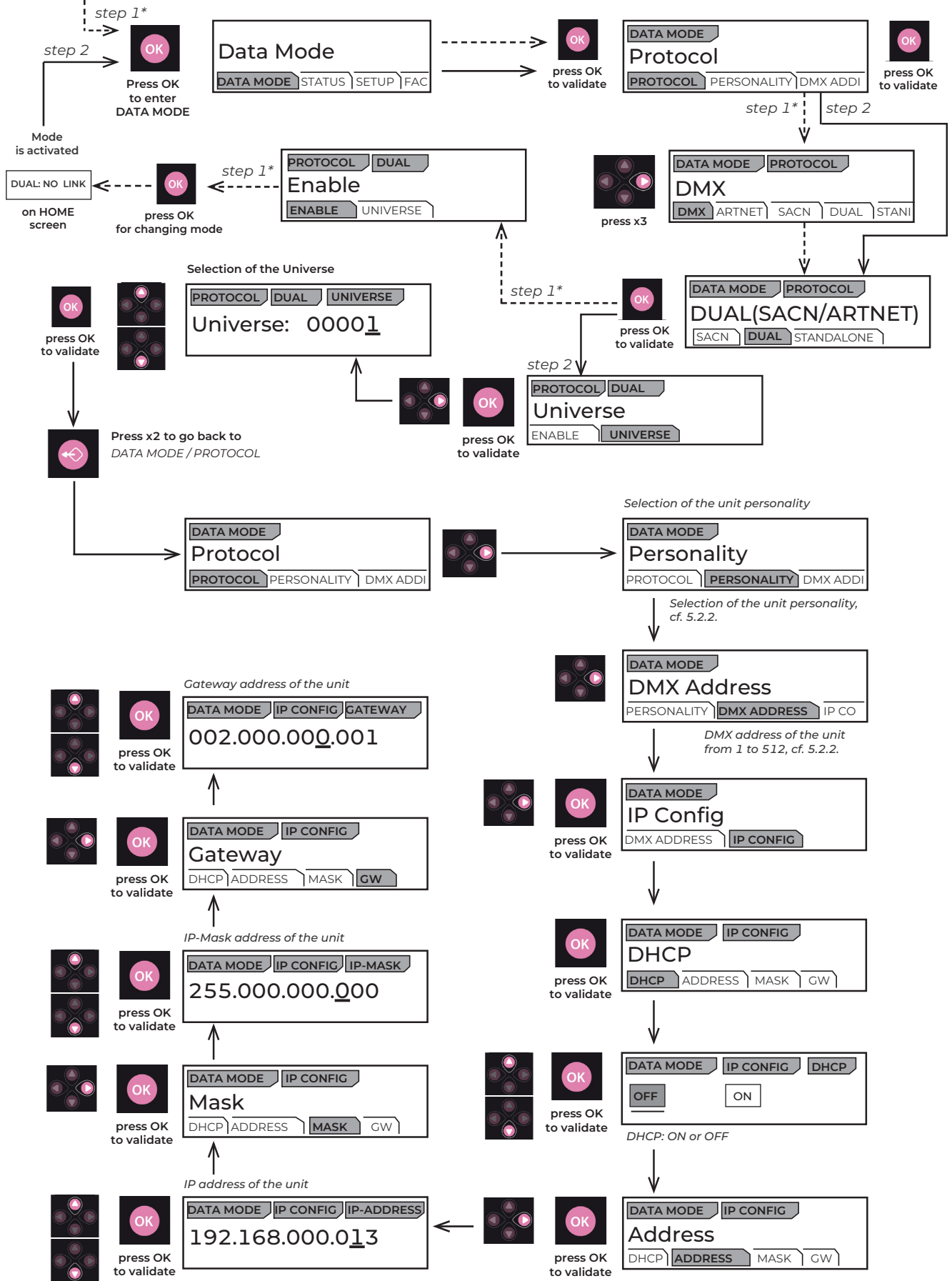
(\* If equipped with this option)

- 1 - If necessary, change IP settings
- 2 - Set DUAL universe
- 3 - Set DMX address
- 4 - Set personality mode (see 5.2.4. DMX chart)

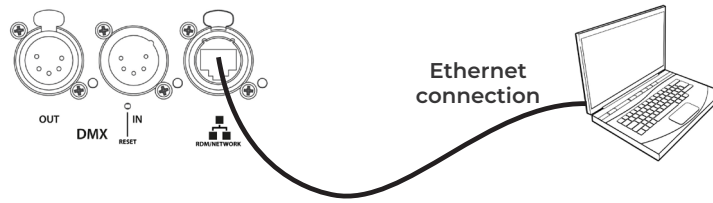


**Caution:**

(\*) Activate DUAL in protocol mode beforehand.



5.4.4.1 Control

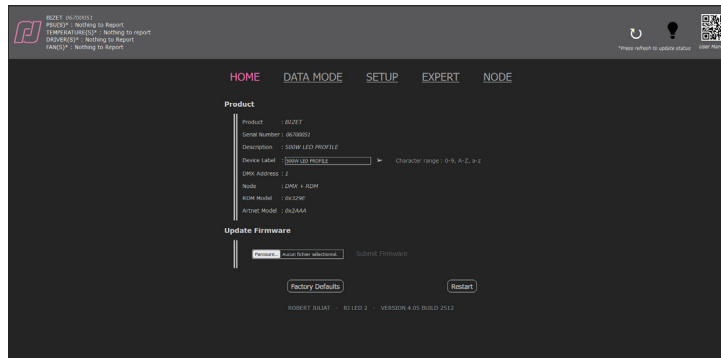


The fixture must be connected to a compatible network or directly linked to a computer with an RJ45 Ethernet cable.

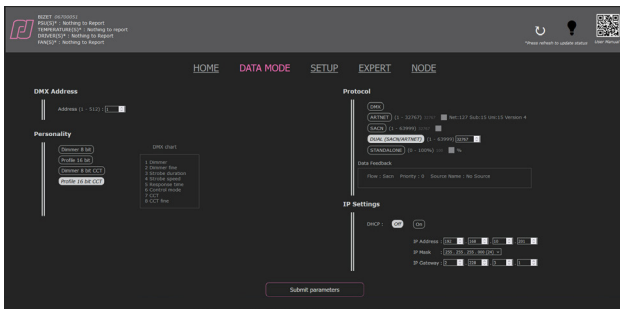
The fixture's IP address: **see section 5.4. Network**

5.4.4.2 Connection to the Web interface

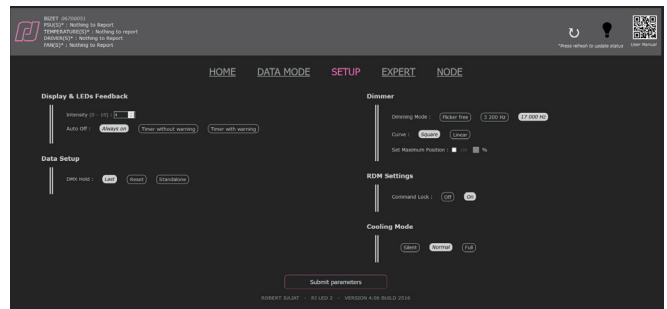
- 1 - Open a web browser (Microsoft Edge, Firefox, Apple Safari...)
- 2 - Enter the fixture's IP address in the browser's address bar
  - "00X" is read as "X".
  - Never type a zero (0) before the numbers XX or X (**see 5.4**)
- 3 - The HOME page will appear, and all settings can now be viewed and modified.



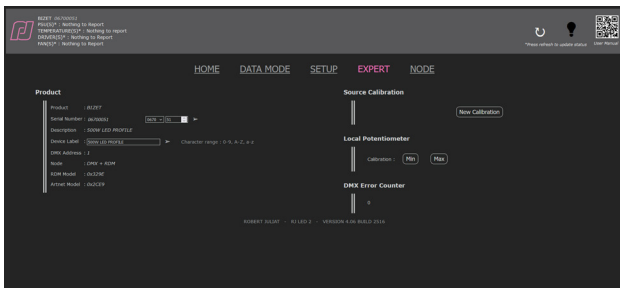
HOME Page



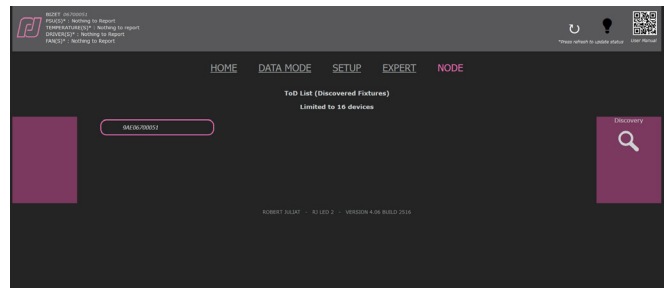
DATA MODE Page



SETUP Page



EXPERT Page, password-protected (1280).



NODE Page

UID\* list of devices detected by RDM on the DMX OUT link; the first UID is the fixture.

(\*) UID : RDM Unique Identifier

LLRP is a multicast protocol that facilitates basic IP configuration. It is part of the ESTA E1.33 RDMnet standard.

LLRP can be used for the initial configuration of networked equipment. It provides a low-level mechanism for discovering and configuring the network parameters of devices, including IP settings and basic RDMnet configuration settings.

LLRP Targets expose these parameters for configuration and respond to discovery requests from LLRP Managers. Once an LLRP Manager discovers one or more LLRP Targets, it can use LLRP to send RDM commands to retrieve or modify these parameters.

**A SOLUTION FOR INCORRECT OR UNKNOWN IP CONFIGURATION**

Network connectivity issues are often caused by misconfigured network addresses, with improperly configured subnet masks being the most common problem.

LLRP uses two multicast IP addresses, enabling communication even when all other network communication has failed.

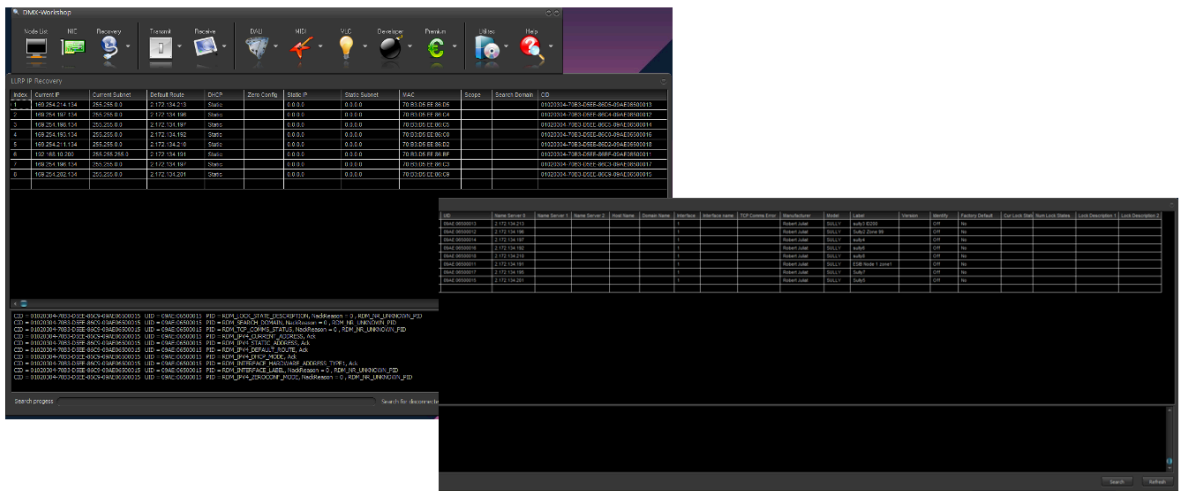
Since multicast addresses are unaffected by a misconfigured subnet mask, LLRP provides an efficient and reliable solution to recover from network misconfiguration.

In summary, LLRP simplifies the process of identifying and configuring the IP addressing of LLRP-compatible devices on your network.

All Robert Juliat equipment based on the RJ LED2 platform includes LLRP functionality.

Two LLRP Manager software tools are available for free:

- DMXworkshop by Wayne Howell from Singularity (UK): <https://singularity-uk.com/product/dmx-workshop/>



- CLU/Netron from Obsidian : <https://obsidiancontrol.com/netron-clu>

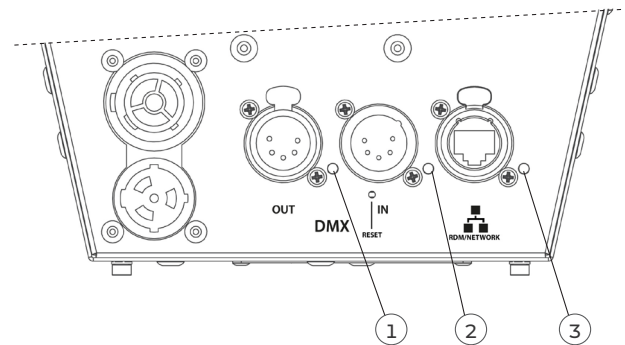


## 5.5 LEDs Feedback

### 5.5.1 Trouble shooting

• During unit initialisation (power up) – up to 5 seconds:

1 DMX OUT	2 DMX IN	3 Network	Description
Ⓟ	Ⓟ	Ⓟ	Unit OFF
Ⓡ	Ⓡ	Ⓡ	Unit error
Ⓢ	Ⓢ	Ⓢ	Unit has been reset successfully
Ⓟ	Ⓟ	Ⓡ or Ⓢ or Ⓟ	RDM protocol activated



• After initialisation - Node mode "OFF":

1 DMX OUT	2 DMX IN	3 Network	Description
Ⓟ	Ⓟ	Ⓟ	Display auto-off
Ⓟ		Ⓡ	No ethernet
Ⓟ	Ⓢ	Ⓢ	Ethernet detected (link)
Ⓟ	Ⓢ	Ⓟ	Ethernet detected + data
Ⓟ		Ⓡ	No ethernet
Ⓟ	Ⓟ	Ⓢ	Ethernet detected (link)
Ⓟ	Ⓟ	Ⓟ	Ethernet detected + data
Ⓟ		Ⓡ	No ethernet
Ⓟ	Ⓡ	Ⓢ	Ethernet detected (link)
Ⓟ	Ⓡ	Ⓟ	Ethernet detected + data
Ⓡ	Ⓡ	Ⓡ	Unit error
Ⓟ			Terminator ON

• After initialisation - Node mode "ON":

1 DMX OUT	2 DMX IN	3 Network	Description
Ⓟ		Ⓟ	Display auto-off
		Ⓡ	No ethernet
Ⓢ	Ⓢ	Ⓢ	Ethernet detected (link)
Ⓢ	Ⓢ	Ⓟ	Ethernet detected + data
		Ⓡ	No ethernet
Ⓟ	Ⓢ	Ⓢ	Ethernet detected (link)
Ⓟ	Ⓢ	Ⓟ	Ethernet detected + data
		Ⓡ	No ethernet
Ⓡ	Ⓢ	Ⓢ	Ethernet detected (link)
Ⓡ	Ⓢ	Ⓟ	Ethernet detected + data
Ⓡ		Ⓡ	Unit error

## 5.5.2 Parameters

### 5.5.2.1 Intensity

➔ Set through RDM protocol, web interface or local control (option)

Mode	Description
Display level	Adjust the intensity of the feedback LEDs

### 5.5.2.2 Auto-OFF

➔ Set through RDM protocol, web interface or local control (option)

Mode	Description
Always ON	Feedback LED, always <b>ON</b>
Timer without warning	Feedback LED <b>OFF</b> after 20 seconds
Timer with warning	Feedback LED <b>OFF</b> after 20 seconds, <b>ON</b> , if warning information occurs

## 6.1 Preventive maintenance

### 6.1.1 Frequency

General maintenance should be performed at least once a year or more frequently if the equipment is operated in adverse conditions (smoke, heat, humidity, touring, etc.).

### 6.1.2 General cleaning

Remove dust from the unit.

### 6.1.3 General visual check

- No trace of heat.
- No loose contacts.
- No missing parts.
- Tighten mechanical assemblies (screws, bolts and nuts, etc.).

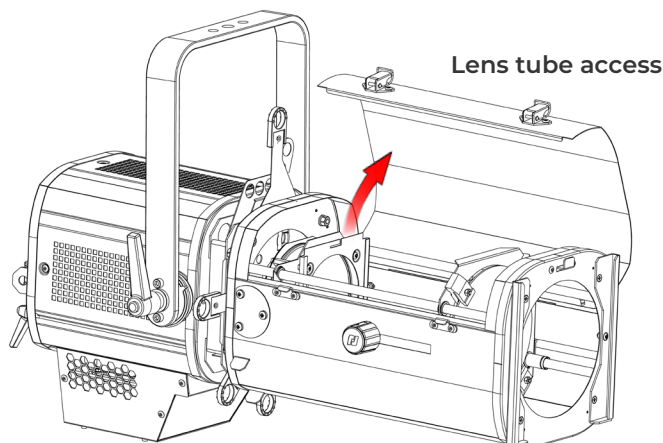
### 6.1.4 LED source



- Do not touch the surface of the LED source (no contact with your hands or any tools).
- Do not put compressed air directly on the source.
- Contact a certified RJ distributor in case of residuals or other objects located on the surface of the LED source.

### 6.1.5 Optics

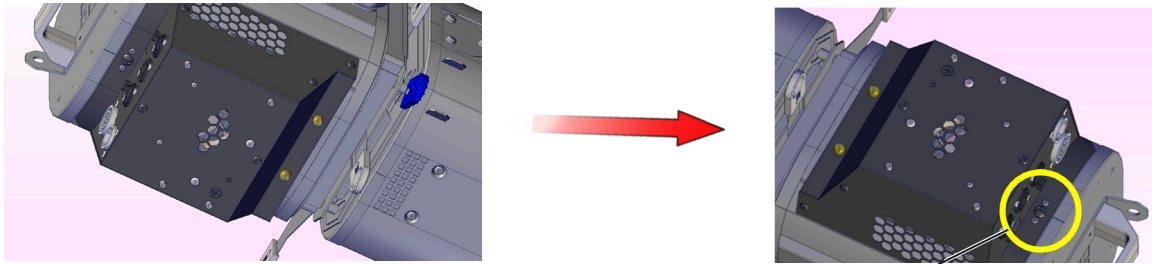
- Only use solutions containing alcohol to clean optical parts (lenses).
- To clean the optical parts, use a soft cloth in combination with distilled water or isopropyl alcohol recommended for coated optics. Do not use any cleaning product that contains solvents or abrasives, as these can cause surface damage.
  - Dry with a soft lint-free cloth.



### 6.1.6 LED house cleaning

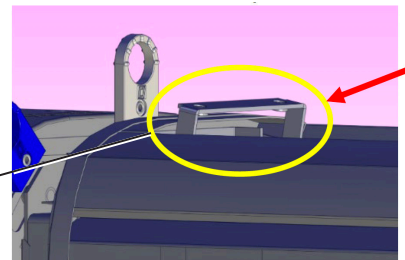
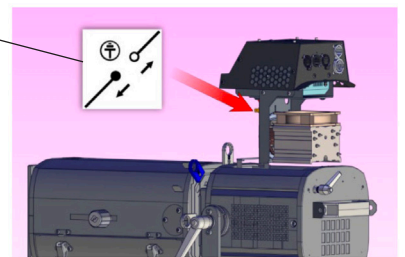
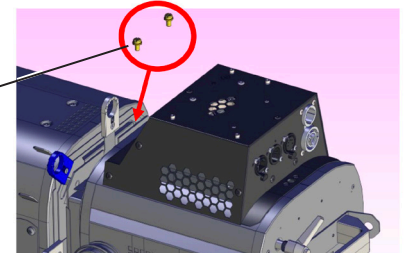
Inner parts & lens holder access:

- To clean the optical parts, use a soft cloth in combination with distilled water or isopropyl alcohol recommended for coated optics. Do not use any cleaning product that contains solvents or abrasives, as these can cause surface damage.
- Dry with a soft lint-free cloth.
- The double condenser system (aspheric and biconvex lenses) can easily be removed, without tools, by removing the two M6 nuts. The complete holder can then be removed for cleaning, *see section 3.4.2.*



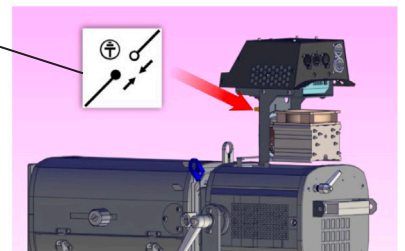
**How to remove the Sully LED compartment for cleaning:**

1. We recommend you place your luminaire on a flat clean surface. Disconnect from the mains before servicing.
2. Unlock the quarter turn screw with a flat screwdriver.
3. Remove the two screws with a flat screwdriver.
4. Slightly slide out the LED compartment and remove the earth attachment before removing it completely from its housing.
5. Carefully place the LED compartment on a flat clean surface.



**Sully LED compartment installation:**

6. Extend the hinge to its maximum position to make it easily accessible. Insert the LED compartment into your luminaire, making sure it is positioned vertically to enable the LED compartment to enter the lamp house correctly.
7. Connect the ground connection (faston tab terminal) to the Sully LED compartment.
8. Once the LED compartment is fully inserted, remount tightly the two screws nearest the shutter gate. Re-tighten the quarter turn screw located at the back of the lamp base to lock the LED compartment securely into your luminaire.



**6.2 Analysis**

In case of problem, contact RJ distributor with the following information:

- Model, version and serial number of the product.
- From the menu status:
  - Software version
  - LED board IDs
  - Device hours
- Description of the problem.



## 6.3 Electronic thermal management system

In case of overheating, light intensity will be reduced by the system.

Power reduction and temperature values are available by using a RDM protocol compatible device.

## 6.4 Firmware update



After updating your device with firmware V3.0, we strongly recommend that you update the source type (CCT) either to CW (Cold White) or WW (Warm White) by following the procedure described in the section below: **CCT selection**

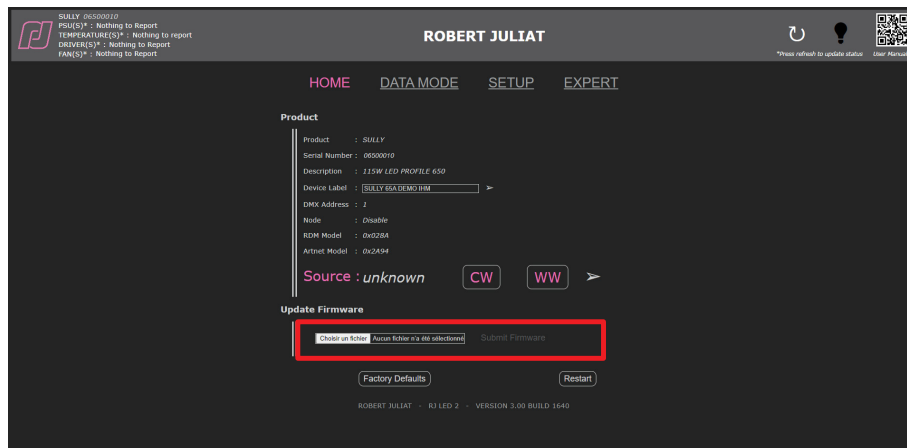
### CCT selection

Until now, the CCT of the LED source was not taken into account. From V3.0, your device will be automatically recognized as CW or WW source.

Devices shipped with firmware prior to V3.0 do not have a designated CCT. After updating to V3.0, it is highly recommended to specify the CCT of your device. For this you will have to stay on the Web Page that you used for the update.

In the **Source** section of the HOME tab, the CCT of your device is indicated.

- If "unknown", please select the CCT of your device and click on icon **CW** or **WW**, then on the arrow .



- Changing the source type changes the Model\_ID as well. It is used in libraries to recognize devices automatically and for an Auto-Patch.
- If the source type has to be changed or in case of typing error, it will be always possible to change the source type in the Expert mode which is protected by a password.

1. Download the firmware from one of the following links :
  - [www.robertjuliat.com/LED/PDF\\_PAGE](http://www.robertjuliat.com/LED/PDF_PAGE) or scan the QR code:
  - [www.robertjuliat.com/profilespots/SULLY\\_650SX](http://www.robertjuliat.com/profilespots/SULLY_650SX)
2. Unzip the file. There are 4 files:
  - Firmware (.upd2 format)
  - Firmware history
  - Update procedure
  - User manual from firmware version V5.0x onwards



3. Switch on the lighting fixture.
4. Connect the fixture to the network using an RJ45 Ethernet cable from your computer.  
You can either connect it to your lighting network (RJ45) or directly to your computer (RJ45).
5. Open a Web browser (Microsoft Edge, Firefox, Apple Safari, etc.).
6. Enter the fixture's IP address in the browser's address bar

- "00X" is read as "X".
- Never type a zero (0) before the numbers XX or X (see section 5.4).

7. Upload your firmware file (.upd2).

In the "Update firmware" window, select the update file and then click on "Submit firmware".

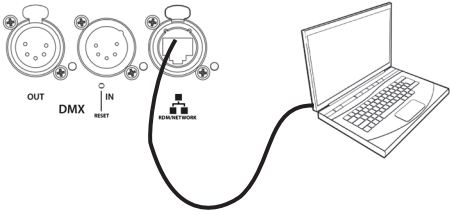
## 6.5 Factory defaults

### 6.5.1 Modes

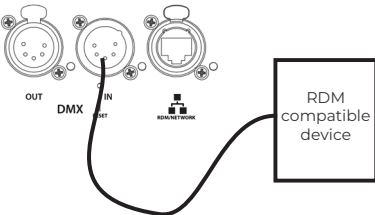
Mode	Description
Restart	Software reset – all user parameters are kept
Factory defaults	Set all user parameters to factory default value

### 6.5.2 Control

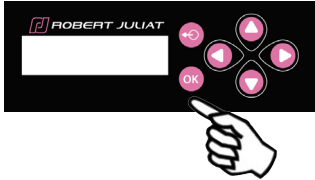
Set to factory defaults / reset through web interface (Home page)



Set to factory defaults / reset through RDM protocol

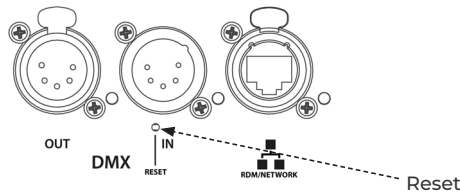


Set to factory defaults / reset through local control, when equipped with this option




Select **FACTORY DEFAULT** in the main menu to reset all values and parameters

➔ If IP address unknown (due to a previous modification), IP address can be read from RDM protocol or a hard reset must be done:



## 6.6 Selftest

Select **SELFTEST** in the STATUS menu :



Press OK to start SELFTEST

STATUS

**SELFTEST**

SELFTEST SYSTEM ID DEVICE COU

At the end of each test, a **PASS/FAIL** message will be displayed.

If the DMX and network functions need to be tested, the system will prompt you to perform certain operations.

test report: Fail		P=Pass F=Fail	
fans P	pow P	temp P	dmxi P
dmxo F	net F	drv P	

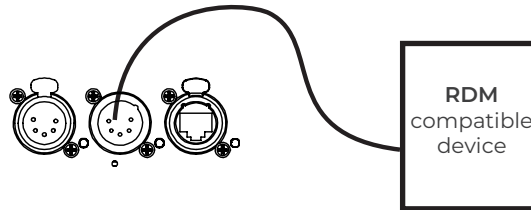
### Test Report

An “F” (FAIL) or “P” (PASS) will be displayed at the end of the self-test (SELFTEST).

If the problem persists, please take a photo of the test result and send it either to your Robert Juliat dealer or to the Robert Juliat After-Sales Service, if requested (email: [service@robertjuliat.fr](mailto:service@robertjuliat.fr))

## 6.7 Testing for errors (LED units without a display screen)

Testing and errors can be detected through RDM.



### Test Report

Any FAILURE or ERRORS must be noted for feedback.

If the problem persists, please take a photo of the test result and send it either to your Robert Juliat dealer or to the Robert Juliat After-Sales Service, if requested (email: [service@robertjuliat.fr](mailto:service@robertjuliat.fr))